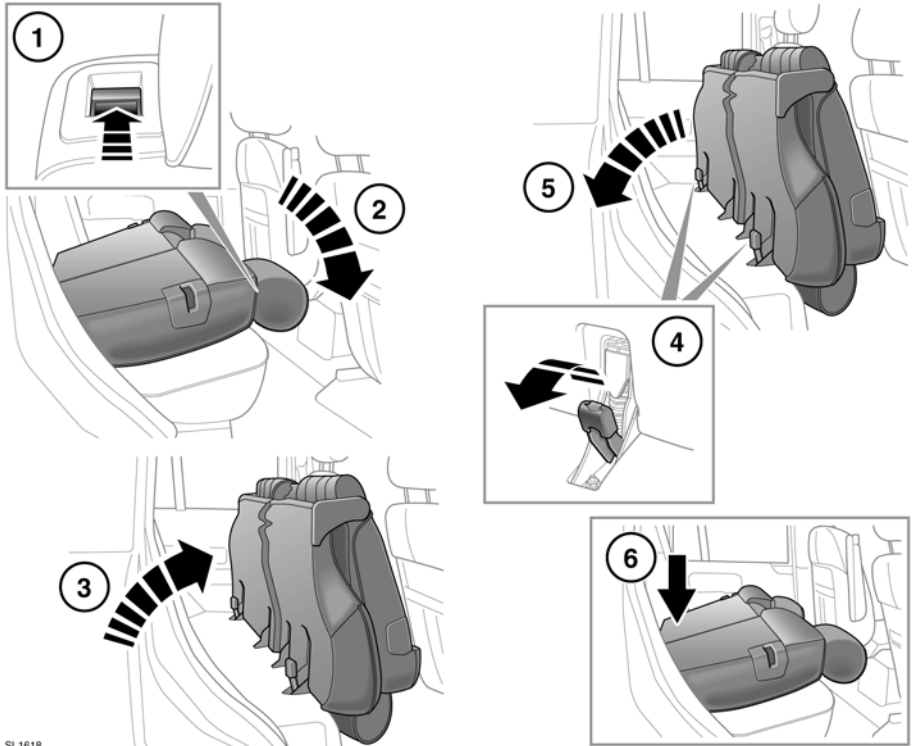


FOLDING AND ERECTING THE REAR SEATS



SL1618



WARNING: Always ensure that objects carried within the vehicle are secured properly.



WARNING: Never allow passengers to travel in the load space under any circumstances. All vehicle occupants should be seated correctly and wear a seat belt at all times when the vehicle is in motion.

The split fold rear seat can be folded completely to accommodate large loads, or partially to accommodate large loads and still retain seating for passengers.

- To fold part or all of the seat:** Lift the lever on the top of the backrest.
- Fold the backrest on to the seat base.
- lift the whole assembly forward until it locks in the upright position.
- To erect:** Pull the release lever rearwards.

Rear seats

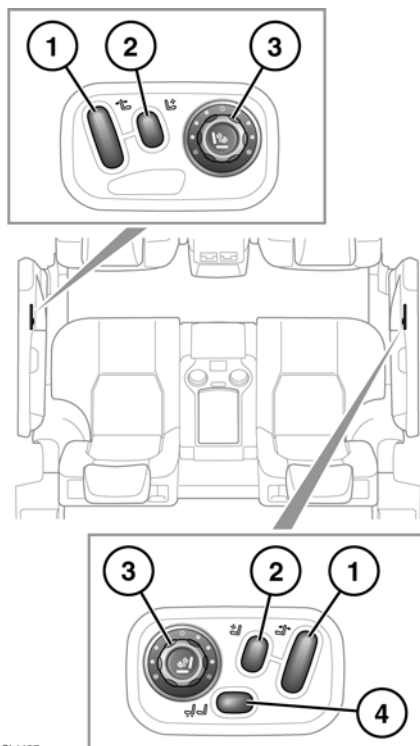
5. Push the seat assembly back on to the floor.
6. Press down on the seat where arrowed to fully engage the floor catches. The backrest can now be raised.



WARNING: Ensure that when the backrest is raised the locking mechanism is fully engaged. If the backrests are not fully locked in place, red markers will be visible around the backrest levers.

RECLINING REAR SEATS

Note: This feature will not operate if the rear window isolation switch has been activated.



SL1197

1. Seat angle adjustment.
2. Lumbar support adjustment.
3. Climate seat control (only with engine running).
 - Rotate clockwise from the 0 position to increase temperature.
The seat heaters are thermostatically controlled and once selected will maintain a predetermined temperature.
 - Repeatedly press the center of the control to select either the seat back or seat back and seat cushion. The relevant indicator(s) will illuminate.
 - Rotate to the 0 position to turn off.
4. Front passenger seat forward or backward adjustment.

REAR SEAT HEAD RESTRAINTS



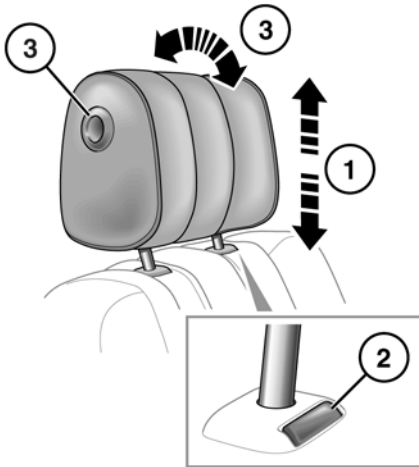
WARNING: Adjust the head restraint so that the top of the head restraint is above the center line of the head. An incorrectly adjusted head restraint increases the risk of death or serious injury in the event of a collision.



WARNING: Do not drive or carry passengers with the head restraint removed from an occupied seat. The absence of a correctly adjusted head restraint increases the risk of neck injury in the event of a collision.



WARNING: Head restraints are designed to support the head, not the back of the neck. The head restraint must be positioned correctly to restrain rearward movement of the head in a collision.



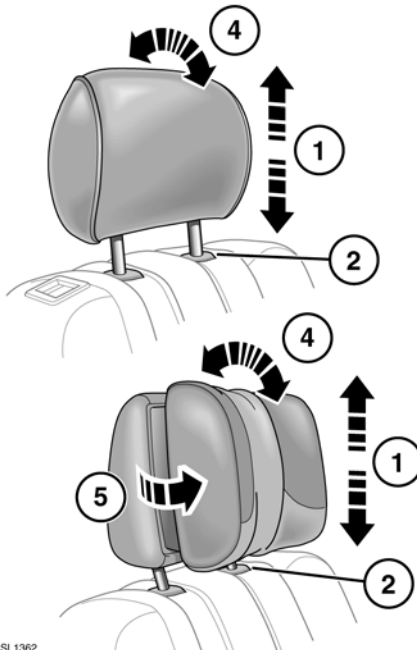
1. To raise, pull the restraint upwards.
2. To lower, depress the locking button and push down on the restraint.
3. To adjust the angle, press the locking button and move the restraint to the desired position.
4. Rotate the restraint to adjust the angle.
5. Pull the wing heads forward in to the first or second positions.

Head restraints may be removed, if required (e.g. to fit larger child seats). Raise the head restraint to its uppermost position and press the locking collar. Lift the restraint out of the seatback.



WARNING: Always store a removed restraint securely.

To refit a head restraint, ensure it is facing the correct direction, insert the stems of the head restraint into the sockets and push it downwards until at least the first click.



SL1362