

LABEL LOCATIONS



Warning labels attached to your vehicle bearing this symbol mean: Do not touch or adjust components until you have read the relevant



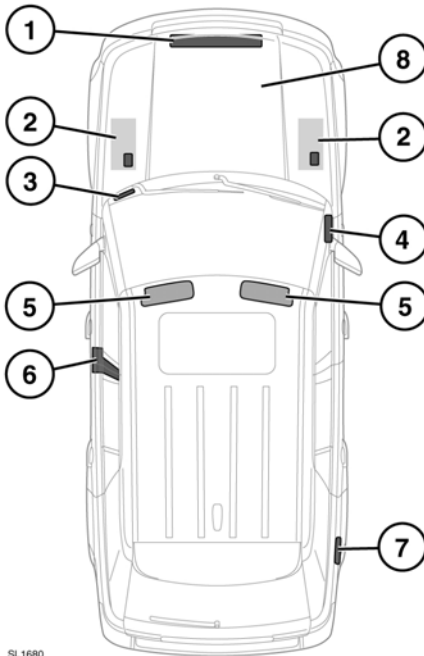
instructions in the handbook.



Labels showing this symbol indicate that the ignition system utilises very high voltages. Do not touch any ignition components while the starter switch is turned on.



Additional information labels may also be found at the following locations:



SL1680

1. Hood locking platform - Air conditioning label
2. Top of battery - Battery warning symbols

3. The VIN is stamped on a plate visible through the lowest part of the left side of the windshield. The number is also stamped into the right side suspension tower.

Note: If you need to communicate with a Retailer you may be asked to quote the VIN number.

4. End of facia (passenger side) - Passenger air bag label.
5. Sun visor - Air bag label, vehicle handling label.
6. Base of B pillar or rear of front door - Tire pressure label, air bag warning label.
7. Inside gas filler flap - Fuel label.
8. Engine numbers are on the right side of the engine block and camshaft cover.

It is important that you are familiar with these subjects to ensure that your vehicle and its features are used safely.

VEHICLE IDENTIFICATION NUMBER (VIN)

The VIN is a unique number which identifies your vehicle. Unlike the vehicle registration number it cannot be transferred and remains with your vehicle for its life.

Numerics

4 x 4 Info 178

A

ABS 92

Electronic Brake Distribution (EBD) 93

Emergency Brake Assist (EBA) 92

steep slopes 92

ACC

advanced emergency brake assist 108

automatic low speed switch off 105

automatic switch off 105

changing the follow mode gap 104

detection beam 106

driving hints 106

follow mode 104

forward alert 107

forward alert warning lamp 107

malfunction 107

overriding the speed and follow mode 105

resuming follow mode 105

setting the follow mode gap 104

ACC (Adaptive cruise control) 103

Accessories 196

Adaptive cruise control (ACC) 103

Adaptive front lighting system (AFS) 41

Advanced emergency brake assist 108

AFS 41

Air bag service information 38

Air bag warning lamp 36

Air bags 33

components 34

deployment 36

modifications 184

obstruction 35

occupant detection 36

operation 34

Air conditioning 65

rear seats 67

Air suspension 89

access height 90

adjusting settings 89

crawl mode 90

extended off-road height 90

off-road height 89

remote operation 91

Alarm activation 12

Alarm deactivation 8

Alternative fuels 181

Antifreeze check 202

Audio

iPod 128

overview 117

portable audio 128

sound settings 117

USB devices 128

Auto high beam 40

Autolamps 39

Automatic climate control 65

Automatic transmission

automatic mode 84

AUX socket 141

Auxiliary connections 141

Auxiliary input (AUX IN) socket 128

Auxiliary input socket 132

Auxiliary power sockets 70

B

Battery care 214

Battery charging 217

Battery warning lamp 81

Battery warning symbols 214

Blind spot monitor 51

sensor blockage 52

system fault 52

Bluetooth 150

adding or changing a telephone 151

compatibility 150

Boost starting 215

Booster cables 215

Booster cushions 28

Brake fluid check 202

topping up 203

- Brakes
 - principle of operation 92
- Bulb changing 189
- Bulb specification chart 210

- C**
- California proposition 65 warning 184
- Cancel navigation guidance 170
- Cancel navigation voice guidance 170
- Capacities 207
- Car wash 196
- CD autochanger 127
- CD autochanger loading 127
- CD player
 - loading a CD 126
 - main menu 125
 - MP3 playback 126
 - play options 126
 - playing a CD 125
 - track selection 125
- Changing a bulb 189
 - general information 189
- Changing a fuse 228
- Changing a road wheel 233
 - jacking points 235
 - operating the jack 235
 - stowing the removed wheel 236
 - wheel changing safety 234
 - wheel chocks 234
- Changing the vehicle battery 217
 - battery disposal 218
 - disconnecting 217
 - effects of disconnecting 218
 - refitting 218
 - replacement batteries 218
- Changing the voice system volume 149
- Chassis view - 4 x 4 info 178
- Child locks 23
- Child seats 26
 - anchor points 31
 - check list 29
 - LATCH anchor points 31
 - positioning 30
 - safety 29
 - seat belt locking mechanism 28
 - tether anchorage points 32
 - tether straps 32
- Cleaning stubborn stains 197
- Cleaning the exterior 196
 - after off-road driving 197
- Cleaning the interior 197
 - air bag module covers 199
 - audio system 199
 - instrument panel 199
 - leather care 198
 - plastic and cloth 198
 - seat belts 198
 - touch screen 199
- Climate control 65
 - rear seats 67
- Climatic seats 67
- Clock 57
- Compass view - 4 x 4 info 178
- Connecting auxiliary devices 132
- Coolant check 201
- Cornering lamps 41
- Courtesy delay (headlamps) 39
- Courtesy lighting 42
- Cruise control 101
 - engaging 101
 - increasing speed 101
 - reducing speed 102
 - suspending 102
- Cup holders 69

- D**
- Daily maintenance checks 185
- Data recording 241
 - service 196
- Daylight running lamps 40
- Deployable side steps
 - jacking 234
- Dimensions 209
- Disability modifications 38, 184

- Disarming the alarm
 - deactivating a triggered alarm 8
 - unlock button failure 8
- Door locks 13
- Door mirrors 49
- Drive away locking 12
- Driving after a collision 241
 - before starting or driving 241
- Drop plate tow bar 80
- DVD
 - formats 137
 - loading a disc 133
 - main menu 135
 - menu selection 136
 - playing a DVD 136
 - special features 136
 - using an alternative audio source 136
- E**
- Electric seats 14
 - driving position memory 16
 - easy exit/entry 16
- Electric steering column 22
- Electric sunroof
 - calibration 196
 - reset 196
- Electric windows
 - overriding anti-trap protection 48
- Emergency starting 83
- Emission control system 83
- Engine coolant check 201
 - topping up 201
- Engine data 206
- Engine fails to start 82
- Engine oil check 200
 - checking the oil level 200
 - oil specification 201
 - topping up 200
- Engine oil disposal 186
- Engine start/stop while moving 82
- Event data recording 241
- Exterior mirrors 49
 - adjusting and folding 49
 - mirror dip when reversing 49
- External temperature 57
- F**
- Facia controls 254
- Fastening the seat belts 23
- Flat spots 223
- Fog lamps 39
- Follow mode 104
 - changing the gap 104
 - overriding the speed 105
 - resuming 105
 - setting the gap 104
- Forward alert 107
 - warning lamp 107
- Front seat heaters 66
- Fuel consumption display 60
- Fuel filling 180
 - octane rating 180
- Fuel filling safety precautions 180
- Fuel gauge 57
- Fuel tank capacity 182
- Fuel types 181
- Fuse boxes 228
- Fuse replacement 228
- Fuses 229
- G**
- Garage door opener 53
- Garage door transceiver
 - before programming 53
 - entry gate programming 55
 - erase programming 55
 - information and assistance 55
 - programming 53
 - reprogramming a single garage
 - door opener button 54
 - rolling code device equipment
 - programming 54
- Gas cap flap 182
- Gas cap flap - emergency release 182

- Gas filling 180, 183
 - alternative fuels 181
 - octane rating 180
 - tank capacity 182
- Gas tank capacity 182
- Gearbox
 - CommandShift mode 85
 - drive mode 85
 - kick-down 85
 - neutral 84
 - reverse 85
 - reverse gear 84
 - sport mode 85
- Gearbox fault 85
- Global closing 12
- Global opening 8
- Gradient acceleration control 110
- Gradient release control (GRC) 113

- H**
- HDC 112
- Head restraints
 - front seats 17
 - rear seats 20
- Headlamps 39
 - high/low beam 39
 - power wash 45
 - washers 46
- Heated front seats 66
- Heated rear seats 68
- Heated screens 66
- High/low beam 39
- Hill descent control 112
- Hill start assist 110
- Homelink 53
- Hood lock 187

- I**
- Ignition on 81
- Information messages 58
- Installing an LATCH child restraint 31
- Instrument panel overview 57

- Interior lights 42
 - front 42
 - rear 42
- iPod connection 128

- J**
- Jacking 235
 - deployable side steps 234
- Jacking points around the vehicle 235

- K**
- Keyless start backup 83
- Keyless starting 81

- L**
- Label locations 242
- Lashing points 237
- LATCH
 - anchor points 31
 - anchor points installation 31
 - child seats 31
 - child seats installation 31
- Lighting
 - interior 42
- Lighting control
 - headlamp courtesy delay 39
- Lights 39
 - adaptive front lighting (AFS) 41
 - auto high beam 40
 - autolamps 39
 - cornering lamps 41
 - courtesy lighting 42
 - daylight running 40
 - exterior 39
 - headlamp courtesy delay 39
 - headlamps 39
 - high/low beam 39
 - interior 42
 - main switch panel 39
 - sidelights 39
- Load limit 226
- Loading the CD autochanger 127

- Loadspace cover 73
- Loadspace safety net 76
- Locking
 - child locks 23
 - drive-away locking 12
 - mislock 12
 - smart key global closing 12
 - with the smart key 12
- Locking and unlocking
 - from inside the vehicle 13
 - master switch 13
- Locks
 - changing the smart key battery 11
- Lubricants 206
- Luggage anchor points 74
- Luggage cover 73

- M**
- Maintenance
 - arduous driving 185
 - daily checks 185
 - general information 185
 - hazardous substances 185
 - safety 186
 - technical specifications 206
 - used oils 186
 - weekly checks 185
- Media hub (portable media) 128
- Message center 57
- Mirrors
 - blind spot monitor 51
 - exterior 49
 - operation 49
 - powerfold 49
 - reverse auto-dip 49
- Modifications
 - disability 184
- MP3 tracks on CD 126
- Multi-point entry 8

- N**
- Navigation
 - adding waypoints 164
 - alternative routes 163
 - calibrating vehicle position 158
 - cancel guidance 170
 - changing waypoints order 164
 - deleting a memory point 167
 - editing memory points 167
 - entering a destination 160
 - guidance volume 158
 - legals 176
 - POI categories 168
 - points of interest (POI) 167
 - previewing a route 164
 - previewing POIs 165
 - previewing whole route 165
 - recalling a destination 162
 - route changes 163
 - route preferences 163
 - screen mode options 160
 - screen overview 159
 - setting avoid points 167
 - setting preferences 157
 - storing home location 167
 - storing new locations 165
 - things you need to know 157
 - turning on 157
 - vehicle position error 157
 - voice control 170
 - voice control commands 170
 - voice guidance cancel 170
- Navigation off road 169
 - new route 169
 - route options 169
 - using a stored route 169
- Notepad 148
 - deleting notes 149
 - playing notes 149
 - recording a note 148

- O**
- Occupant detection 36
 - Octane rating 180
 - Odometer 60
 - Off road navigation 169
 - Off-road driving
 - wading 110
 - Off-road driving guidance 109
 - Oil check 200
 - Opening and closing the hood 187
 - Owner maintenance 185
- P**
- Parking aid
 - principle of operation 99
 - sensor care 100
 - system fault 100
 - when towing 100
 - Parking brake
 - applying 93
 - releasing 93
 - Parking sensors 99
 - Parts 196
 - Parts and accessories 184
 - Personalising the instrument
 - panel display 59
 - Phone 150, 152
 - Playing a CD 125
 - Portable audio 128
 - browse 130
 - connecting multiple devices 132
 - connections 128
 - controls 130
 - repeat 130
 - search 130
 - shuffle 130
 - skip/scan 130
 - source selection 130
 - touch screen operation 130
 - track list 130
 - track search 132
 - Power seats
 - driving position memory 16
 - easy exit/entry 16
- Power sockets 70**
- Power steering fluid check 203**
- topping up 204
- Puddle lamps 42**
- R**
- Radio**
- autostore 121
 - main menu 120
 - PTY (program type) 121
 - RBDS (radio data system) 121
 - station search 121
 - station tuning 121
 - touch screen controls 120
- Rain sensor 45**
- Reading lamps 42**
- Rear loadspace cover 73**
- Rear seat heaters 68**
- Rear seats**
- erecting 19
 - folding 19
 - head restraints 20
 - reclining 20
- Rear storage area**
- DVD player 72
 - fuel flap emergency release 72
 - rear fuse box 72
 - tow hitch stowage 72
 - warning triangle 72
- Rear view camera 114**
- Rear view mirrors 49**
- Rear window washer 45**
- Rear window wiper 45**
- Recommended towing weights 77**
- Recovering your vehicle 238**
- Refuelling 180, 183**
- Remote control**
- changing the battery 11
- Repairing minor paint damage 197**
- Replacing wiper blades 199**

- Reporting safety defects 5
 - vehicle defects 5
- Restraints 26
- Roof racks 74
- RSE
 - AUX connections 141
 - AV1 and AV2 141
 - control from the front seats 139
 - DVD menu options 144
 - DVD region codes 146
 - headphones 140
 - home menu options 143
 - listen to menu options 145
 - remote control 142
 - remote control unlatching 143
 - screen features 145
 - screen format 146
 - screen icons 143
 - screen settings 146
 - supervisor screen 138
 - turning on 139
 - watch menu options 144
- Running out of gas 181
- S**
- Safety
 - air bags 33
 - child locks 23
 - child seats 26
 - child seats check list 29
 - seat belt checks 26
 - using a telephone 150
 - wheel changing 234
- Satellite radio
 - channel update 124
 - controls 123
 - reception 124
 - subscription 124
- Scratches and chips 197
- Screen heaters 66
- Seat belt locking mechanism 28
- Seat belt reminder 26
- Seat belts 23
 - fastening a seat belt 23
 - height adjustment 23
 - releasing a seat belt 23
 - safety checks 26
 - use during pregnancy 23
 - warning lamp 26
- Seat belts care 25
- Seats
 - child seats 26
- Service data recording 196
- Service interval indicator 57, 58
- Settings
 - touch screen 117
- Sidelights 39
- Single-point entry 8
- Sitting in the correct position 15
- Smart key
 - approach lighting 6
 - changing the battery 11
 - emergency key blade 6
 - failure 8
 - global closing 12
 - global opening 8
 - locking 12
 - panic alarm 6
 - single/multipoint entry 8
 - tailgate release 6
 - transmitter warning 9
 - unlocking 6
- Snow chains 223
- Spare wheel access 233
- Spare wheel removal 234
- Specifications
 - accessory wheels and tires 211
- Speech activation 147
- Speedometer 57
- SRS (Supplementary restraint system) 33
- Stability 4
- Stability control 87
- Start/stop while moving 82
- Starting a disabled vehicle 215
- Starting problems 82

- Steering column adjusting 22
- Steering column lock 9, 81
- Steering wheel heater 22
- Stop navigation guidance 170
- Stop navigation voice guidance 170
- Stowing a removed wheel 236
- Sun blinds 47
- Sun visor lamps 42
- Sunroof 47
 - anti-trap protection 48
 - blinds 47
 - operation 47
- Supplementary restraints system 33
- Surround camera system 115
- Switching the ignition on 81
- System settings 117

- T**
- Tachometer 57
- Tailgate
 - emergency opening 10
 - opening 9
- Technical specifications
 - bulbs 210
 - capacities 207
 - dimensions 209
 - engine data 206
 - lubricants and fluids 206
 - smart key transmitters 212
 - weights 208
 - wheel alignment 208
 - wheels and tires 210
- Telephone 150
 - Bluetooth 150
 - call divert 152
 - call register 154
 - call volume 152
 - compatibility 150
 - continuing a call 153
 - digit dial 152, 153
 - ending a call 152
 - general information 150
 - incoming calls 153
 - last number redial 152
 - last ten calls 154
 - making a call 152
 - messages 154
 - missed calls 154
 - new nametags 156
 - pairing 151
 - phonebook 153
 - previous calls 154
 - safety 150
 - scratchpad 153
 - status 152
 - touch screen operation 152
 - voice commands 155
 - voice control 154
 - voice mail 152
 - voice nametags 155
- Temperature gauge 57
- Terrain response
 - before driving off-road 109
 - driver override options 110
 - operating 109
- Tether straps for child seats 32
- Tires
 - accessory tire pressures 211
 - age degradation 223
 - correct load limit 226
 - flat spots 223
 - for winter use 223
 - glossary of terms 225
 - markings 219
 - pressure compensation for
 - temperature changes 223
 - pressures 221
 - punctures 222
 - quality grades 224
 - replacing 222
 - speed ratings 220
 - temperature grading 225
 - tire care 220
 - traction grading 225
 - tread wear grading 224

- valves 222
 - Touch screen
 - portable media controls 130
 - telephone controls 152
 - Touch screen care 117
 - Touch screen controls for 4 x 4 info
 - Chassis view 178
 - Touch screen settings 117
 - audio sound 117
 - system 117
 - vehicle 117
 - voice 117
 - Tow assist camera 115
 - Tow bar
 - drop plate 80
 - Tow point cover removal 238
 - Towing a trailer 78
 - electrical connection 77
 - essential checks 77
 - levelling 77
 - recommended weights 77
 - Towing points 238
 - front and rear towing eyes 238
 - Towing your vehicle 238
 - TPMS
 - full size spare wheel 97
 - operation 96
 - replacement sensor 98
 - Traction control 88
 - Traction devices 223
 - Trailer stability assist 88
 - Trailer target sticker 115
 - Transfer gearbox range changing 85
 - Transmission
 - automatic mode 84
 - CommandShift mode 85
 - drive mode 85
 - kick-down 85
 - neutral 84
 - reverse 85
 - reverse gear 84
 - sport mode 85
 - Transmission fault 85
 - Trip computer 60
 - Trip distance 60
 - Trip recorder 57
 - Trip recorder memory 60
- ## U
- Unlocking the vehicle 6
 - USB devices 128
 - Using booster cables 215
 - Using cruise control 101
 - resuming a set speed 102
 - Using HDC 112
 - operation 112
 - selecting 112
 - Using seat belts during pregnancy 23
 - Using stability control 87
 - deactivating DSC 87
 - DSC 87
 - reactivating DSC 87
 - Using the smart key
 - global opening 8
 - single/multipoint entry 8
 - unlocking 6
 - Using traction control 88
 - Electronic Traction Control (ETC) 88
- ## V
- Valet mode 118
 - Vehicle build date plate 242
 - Vehicle identification number (VIN) 242
 - Vehicle information and settings menu 59
 - Vehicle label locations 242
 - Vehicle recovery 237
 - lashing points 237
 - off-road 238
 - on a trailer 237
 - towing on four wheels 239
 - towing points 238
 - Vehicle settings 117
 - Vehicle settings menu 59
 - Vehicle stability 4
 - VIN locations 242

- Voice control 147
 - command list 147
 - help mode 147
 - navigation commands 170
 - notepad 148
 - operating guide 148
 - session interruptions 148
 - telephone 154
 - tutorial 148
 - voice button 147
 - volume 149
- Voice mail 152
- Voice settings 117

- W**
- Wading depth 110
- Warning lamps 61
 - battery warning 81
 - forward alert 107
 - primary warnings 61
 - seat belt 26
 - secondary warnings 61
 - status check at ignition on 61
 - system status 61
- Warning messages 58
- Washer fluid check 204
 - topping up 205
- Washers
 - headlamp 46
 - rear 45
- Washing 196
- Weekly maintenance checks 185
- Weights 208
- Wheel alignment specifications 208
- Wheel changing
 - safety 234
- Wheel chocks 234
- Wheels
 - accessory specifications 211
 - safety when changing a wheel 234
- Wheels and tires
 - technical specifications 210
- Windows 47
 - anti-trap protection 48
 - operation 47
 - window isolator 47
- Windshield washer jets
 - blocked jets 189
- Windshield wipers 44
 - operation 44
 - rain sensor 45
 - single wipe 44
 - speed-dependent mode 45
- Wiper blade replacement 199
- Wipers 44
 - intermittent variable delay 45
 - rain sensor 45
 - rear 45
 - speed-dependent mode 45