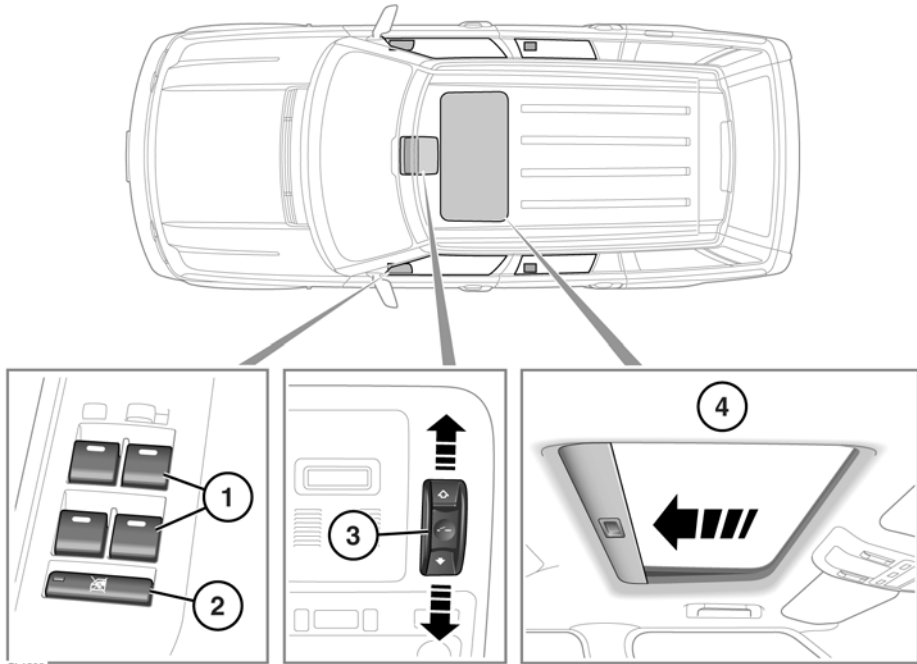


WINDOWS AND SUNROOF



SL1206



WARNING: Ensure that you remove the Smart Key when leaving the vehicle. This will prevent unsupervised operation of the windows, which may result in an injury.

1. Window switches:

Press lightly and hold the top of a switch to lower and lift lightly and hold the top of a switch to raise.

For one-shot operation: Briefly pull the switch fully up and release, the window will continue to raise until fully closed. Briefly press the switch fully down and release, the window will continue to lower until fully open. Pressing or pulling the switch again will stop the window.

The windows will operate for 5 minutes after the engine is switched off, as long as none of the doors are opened.

2. Rear window isolator switch.

The rear windows are isolated when the indicator light in the switch is illuminated.



WARNING: If children are carried in the rear seats, the isolator switch should be used to prevent operation of the windows. If the windows are operated by young children there is a risk of serious injury or death.

3. Sunroof close/tilt switch:



CAUTION: Wherever possible remove any snow, ice, dirt and leaves etc. from the sunroof mechanism before closing. Failure to do so may damage the sunroof mechanism.

To tilt the roof: Press the center of the switch - the rear edge of the roof automatically rises to the fully tilted position.

To open the roof: Push the switch rearwards to the first position, the sunroof slides open until the switch is released. Push the switch to the second position and release, to fully open the roof in one operation.

To close the roof: Push the switch forwards to the first position, the roof closes until the switch is released. Push the switch to the second position to close the roof in one operation.

Note: *The sunroof will operate for 16 minutes after the ignition is turned off, provided that a front door is not opened.*

Note: *If the battery is disconnected or the power supply is interrupted while the sunroof is partially open, it will need to be recalibrated as follows:*

With the power supply reconnected, fully tilt the sunroof open. Continue to push the switch in the tilt position for approximately 20 seconds.

The sunroof can now be operated as normal.

Driving with the sunroof open: When driving with the sunroof open and unwanted drafts are experienced, open the front facia air vents to increase the blower speed. Do not operate the air conditioning.

4. Sunroof blind:

The sunroof blind can be opened and closed manually, but will retract automatically when the sunroof is opened and will open slightly if the sunroof is tilted.



CAUTION: It is not possible to fully close the sunroof blind with the sunroof in the tilt position.

Attempts to close the blind may damage the sunroof mechanism.

ANTI-TRAP PROTECTION



WARNING: Closing a window or sunroof onto any part of the body can result in serious injury.



WARNING: Before closing a window or the sunroof, ensure that no occupants have any part of their body in a position where it could be trapped. Even with an anti-trap system, death or serious injury could occur.



WARNING: The anti-trap mechanism does not operate when closing the sunroof from the tilted position. The sunroof can cause serious injury should a body part become trapped. Always ensure that the sunroof is free from obstructions before closing.

Anti-trap protection will stop window or sunroof movement if an obstruction or resistance is detected. Check the window or sunroof and its aperture and remove any obstructions.