

RECOVERY

In the event of a breakdown, the vehicle should be recovered to a Land Rover Retailer. They will have the equipment necessary to diagnose and fix the problem.

TRANSPORTING THE VEHICLE

Recovery by trailer is the recommended method for transporting the vehicle.

Always use qualified persons to perform recovery and to ensure the vehicle is secured correctly.



WARNING: Use extreme caution when moving or towing the vehicle. Death or serious injury may occur.

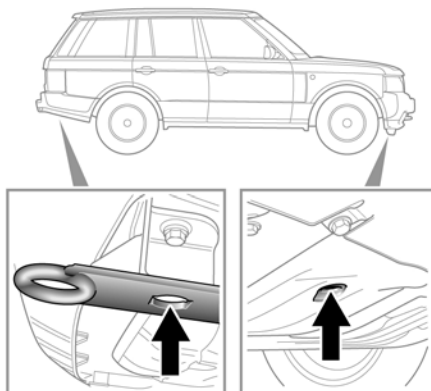
LASHING POINTS



WARNING: The front and rear lashing points must be used only for securing the vehicle during transportation. If they are used for any other purpose, it may result in vehicle damage and serious injury.



When the vehicle is loaded onto a trailer, set the air suspension to Access height. Do this **BEFORE** securing the vehicle to the trailer. See **SELECTING ACCESS HEIGHT, 91**. Apply the parking brake and chock the wheels. Do not use any other part of the vehicle to secure lashing hooks, ropes or other fixings.



SL1444

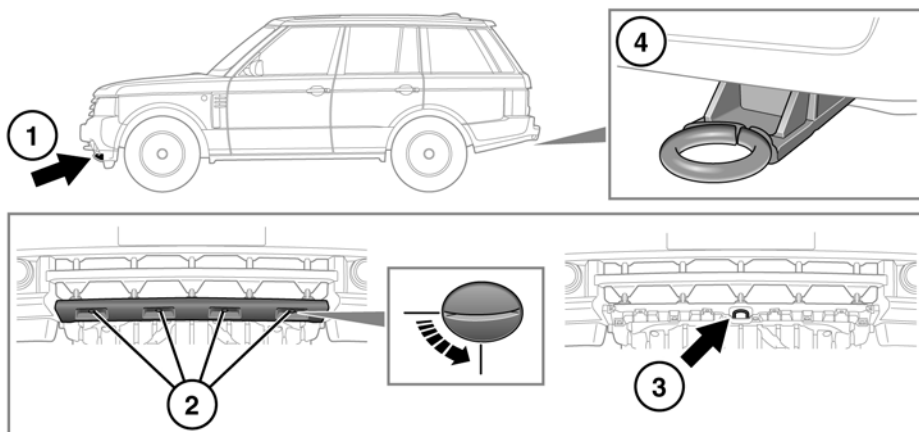


Do not use the front and rear lashing points for towing another vehicle.

FRONT AND REAR TOWING POINTS

⚠ WARNING: The towing points at the front and rear of the vehicle are designed for on-road recovery only. If they are used for any other purpose, it may result in vehicle damage and serious injury.

⚠ CAUTION: Remove the front towing point cover before driving off-road, to prevent damage or loss.



SL1395

1. The front towing point is located behind a removable cover in the lower front bumper.
2. Rotate each of the fasteners 90 degrees counter clockwise with a coin (or similar). Using both hands, remove the cover. Store in a safe place.
3. The towing point is exposed and ready for use.
4. The rear towing point may be used to tow another vehicle if required. There is no cover to remove.

OFF-ROAD RECOVERY



WARNING: If the towing points are to be used for off-road recovery, it is essential that off-road driver training with recovery techniques is undertaken.

Further information on off-road driver training can be found at <http://www.landroverexperience.com>

TOWING THE VEHICLE ON FOUR WHEELS



WARNING: Do not remove the Smart Key from the vehicle as this will lock the steering column.



WARNING: If the vehicle battery is to be disconnected, the steering column must be unlocked first. It is not possible to unlock the steering column with the battery disconnected.



WARNING: If the engine cannot be used during towing, there will be no power assistance to the braking or steering systems. This will result in much greater effort to steer and stop the vehicle and in a greatly increased stopping distance.



CAUTION: The vehicle must be recovered with all four wheels off the ground, e.g., on a trailer.



CAUTION: If the vehicle must be towed, only tow in a forward direction with all four wheels on the ground. Towing in a reverse direction or with only two wheels on the ground, will cause serious damage to the transmission.



CAUTION: Do not tow the vehicle for more than 30 miles (50km), at a maximum speed of 30mph (50km/h). Towing for a greater distance or at a higher speed, may result in serious damage to the transmission.



CAUTION: Do not tow the vehicle if the gearbox cannot be set in neutral or the rear electronic differential has failed in the locked position.

Your vehicle has a permanent four-wheel drive system and is fitted with a steering lock. The following procedure must be carried out carefully to prevent damage to the vehicle:

1. Remove the front towing eye cover.
2. Secure the towing attachment from the recovery vehicle to the front towing point.
3. With the parking brake applied, switch on the ignition.
4. Apply the foot brake and place the gear lever into neutral.
5. Switch off the ignition and leave the Smart Key in a secure place within the vehicle.
6. The ignition may be switched on to allow operation of indicators, brake lamps etc.
7. Release the parking brake before towing the vehicle.



CAUTION: Leaving the ignition switched on for extended periods will drain the vehicle battery.

AFTER TOWING ON FOUR WHEELS

1. Apply the parking brake.
2. Switch on the ignition and apply the foot brake.
3. Place the auto selector lever in the Park position.
4. Switch off the ignition and remove the Smart Key from the vehicle.
5. Remove the towing attachment and refit the cover to the front towing point.



WARNING: Use extreme caution when detaching towing equipment. Vehicle movement is possible which can result in serious injury.