

SERVICE INTERVALS

An upcoming service interval will be notified to the driver via the Driver Information Module, as either a distance or time left until service is due. Once the distance or time are exceeded, the display will show a negative value (-) to indicate that a service is overdue.

One or both types of service interval (distance and time) may be displayed.

SERVICE PORTFOLIO

Ensure your service provider signs and stamps the book after each service and inspection.

OWNER MAINTENANCE



Any significant or sudden drop in fluid levels, or uneven tyre wear, should be reported to a qualified technician without delay.

In addition to the routine maintenance, a number of simple checks must be carried out more frequently.

DAILY CHECKS

- Operation of lamps, horn, direction indicators, wipers, washers and warning lamps.
- Operation of seat belts and brakes.
- Look for fluid deposits underneath the vehicle that might indicate a leak.

WEEKLY CHECKS

- Engine oil level.
- Engine coolant check.
- Brake/clutch fluid level.
- Power steering fluid level.
- Screen washer fluid level.
- Tyre pressures and condition.
- Operate air conditioning.

Note: The engine oil level should be checked more frequently if the vehicle is driven for prolonged periods at high speeds.

DRIVING IN ARDUOUS CONDITIONS

When a vehicle is operated in extremely arduous conditions, more frequent attention must be paid to servicing requirements.

Arduous driving conditions include:

- Driving in dusty and/or sandy conditions.
- Driving on rough and/or muddy roads and/or wading.
- Driving in extremely hot conditions.
- Towing a trailer or driving in mountainous conditions.

Contact a Land Rover Dealer/Authorised Repairer for advice.

EMISSION CONTROL

Your vehicle is fitted with various items of emission and evaporative control equipment, designed to meet specific territorial requirements. You should be aware that unauthorised replacement, modification or tampering with this equipment by an owner or repair shop, may be unlawful and subject to legal penalties.

In addition, engine settings must not be tampered with. These have been established to ensure that your vehicle complies with stringent exhaust emission regulations. Incorrect engine settings may adversely affect exhaust emissions, engine performance and fuel consumption. They may also cause high temperatures, which will result in damage to the catalytic converter and the vehicle.

DIESEL PARTICULATE FILTER (DPF)

The Diesel Particulate Filter (DPF) forms part of the emissions reduction system fitted to your vehicle. The DPF will remove a high proportion of the harmful carbon microspheres (soot) before they leave the exhaust. It achieves this by filtering out the particles, which are then stored until they are burnt away and the filter is emptied.

DPF FULL SEE HANDBOOK - If this message appears the driver should carry out the DPF regeneration procedure as soon as possible.

DPF FULL VISIT DEALER - If this message appears the vehicle should be taken to your Dealer/Authorised Repairer as soon as possible.

DPF REGENERATION PROCEDURE



The regeneration procedure produces high temperatures in the DPF. Heat can be felt radiating from beneath the vehicle, which is normal. The heat generated could be sufficient to start a fire when in close proximity to combustible material.

If **DPF FULL SEE HANDBOOK** appears in the message centre, carry out the following procedure.

Note: At all times during this procedure you should observe all relevant speed limits, laws, and regulations.

1. Drive the vehicle until the engine reaches normal operating temperature. The engine should not be left idling to achieve working temperature.
2. Drive the vehicle for a further twenty minutes, keeping the vehicle at a constant speed between 75 km/h (45 mph) and 120 km/h (75 mph).

Note: Keeping a constant speed enables the DPF to regenerate more efficiently. It is therefore recommended that cruise control is used to achieve this, if possible.

3. If regeneration is successful the warning message will disappear. If the message remains, repeat the process.

Note: If the warning message remains after following the regeneration process three times, contact your Dealer/Authorised Repairer for assistance.

ROAD TESTING DYNAMOMETERS (ROLLING ROADS)

It is essential that any dynamometer testing is carried out only by a qualified person, familiar with the dynamometer testing and safety procedures practised by Land Rover Dealers/Authorised Repairers.

SAFETY IN THE GARAGE



If the vehicle has been driven recently, do not touch the engine, exhaust and cooling system components until the engine has cooled.



Never leave the engine running in an unventilated area - exhaust gases are poisonous and extremely dangerous.




Do not work beneath the vehicle with the wheel changing jack as the only means of support.



Keep your hands and clothing away from drive belts, pulleys and fans. Some fans may continue to operate after the engine has stopped.





Remove metal wrist bands and jewellery, before working in the engine compartment.


 Do not touch electrical leads or components while the engine is running, or with the starter switch turned on.

 Do not allow tools or metal parts of the vehicle to make contact with the battery leads or terminals.

FUEL SYSTEM

 Under no circumstances should any part of the fuel system be dismantled or replaced by anyone other than a suitably qualified vehicle technician.

 Ensure sparks and naked lights are kept away from the engine compartment.

 Wear protective clothing, including, where practicable, gloves made from an impervious material.


POISONOUS FLUIDS

Fluids used in motor vehicles are poisonous and should not be consumed or brought into contact with open wounds.

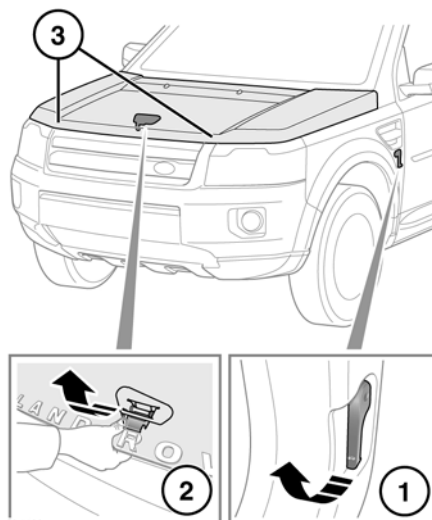
For your own safety, always read and obey all instructions printed on labels and containers.

USED ENGINE OIL

Prolonged contact with engine oil may cause serious skin disorders, including dermatitis and cancer of the skin. Always wash thoroughly after contact.

 It is illegal to pollute drains, water courses or soil. Use authorised waste disposal sites to dispose of used oil and toxic chemicals.

OPENING AND CLOSING THE BONNET




SL1422

OPENING

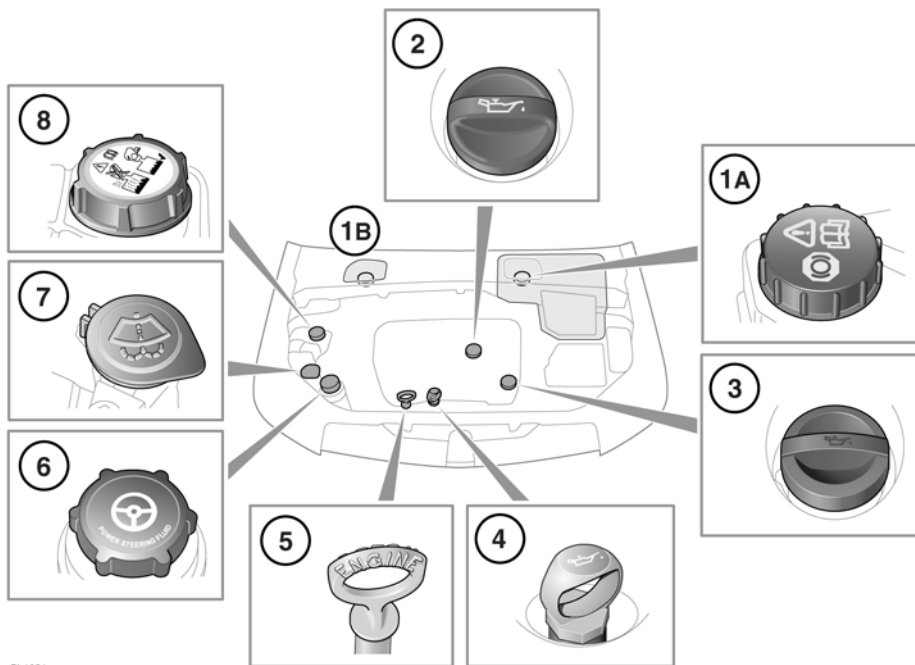
1. Pull the bonnet release lever, located in the left-hand front footwell.
2. Lift the bonnet safety catch lever, located below the centre point of the bonnet, then raise the bonnet.
3. When closing the bonnet ensure that both catches are securely latched.

CLOSING

 Do not drive with the bonnet retained by the safety catch alone.

1. Lower the bonnet until the safety catch engages. Using both hands, press the bonnet down until the catches click.
2. Check that both catches are engaged, by trying to lift the front edge of the bonnet.

ENGINE COMPARTMENT OVERVIEW



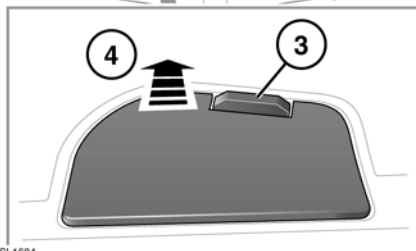
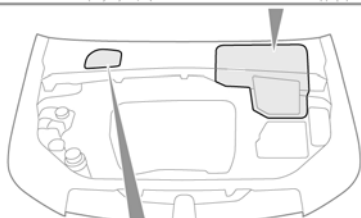
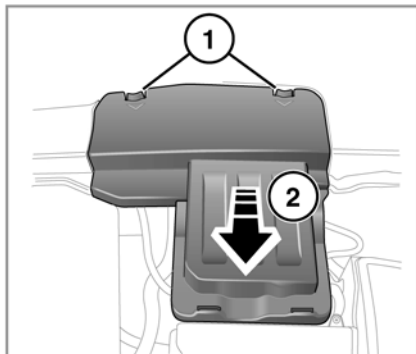
SL1031

1. Brake fluid reservoir cap:
 - A. Left-hand drive vehicles.
 - B. Right-hand drive vehicles.
2. Engine oil filler cap.
3. Engine oil filler cap.
4. Oil level dipstick.
5. Oil level dipstick.
6. Power steering fluid filler cap.
7. Windscreen washer fluid filler cap
8. Engine coolant filler cap.



Do not drive if there is a possibility that leaked fluid will come into contact with a hot surface, such as the exhaust.

UNDER BONNET COVERS - REMOVAL



SL1684

1. Press the tabs to release the cover from the casing.

Note: Releasing the inboard tab on the front edge of the cover first will make it easier to release the remaining tabs.

2. Lift the front edge of the cover and slide forwards to remove.
3. Release the catch.
4. Remove the cover.

UNDER BONNET COVERS - REFITTING



Before refitting the underbonnet covers, ensure that no pipes, cables or other items, have been trapped between the cover and casing.

1. Slide the rear edge of the cover under the rubber trim fitted to the scuttle panel.
2. Make sure the front edge of the cover is flush to the casing, and then press down until the cover clicks into place.

BLOCKED WASHER JETS



Do not operate the washer jets during unblocking or adjustment.

Windscreen washer fluid may cause irritation to the eyes and skin. Always read and observe the washer fluid manufacturers instructions.

If a washer jet becomes blocked, use a thin strand of wire to unblock the jet by inserting the wire into the jet. Ensure that the wire is completely removed after unblocking. The washer jet position may also be adjusted by inserting the point of a needle into the jet and gently repositioning it.

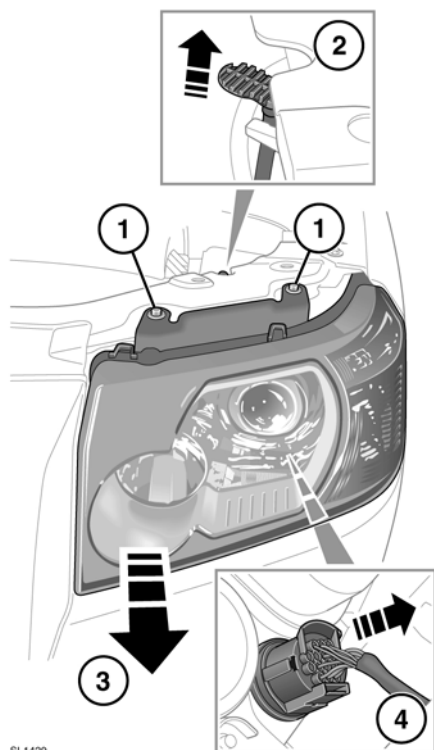
CHANGING A BULB



Always replace bulbs with the correct type and specification. If you are in any doubt contact your Land Rover Dealer/Authorised Repairer for advice.

Note: In certain territories it is a legal requirement to carry spare bulbs. A replacement bulb kit is available as an approved accessory from your dealer.

REMOVING A HEADLAMP UNIT

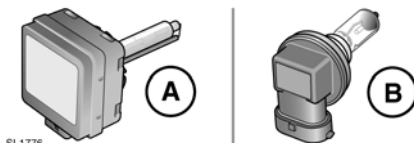


SL1429

- ⚠ Do not place the removed lamp unit face down on hard or abrasive surfaces. Doing so may scratch the surface of the lens.

1. Undo and remove the two retaining bolts.
2. Pull up the locking lever to release the headlamp unit.
3. Pull the headlamp unit forward to allow access to the rear of the unit.
4. Disconnect the electrical connector from the back of the unit by pressing the tab and pulling the connector.

HEADLAMP - BULB IDENTIFICATION




- A. Xenon bulb.
- B. Halogen bulb.

HALOGEN BULBS

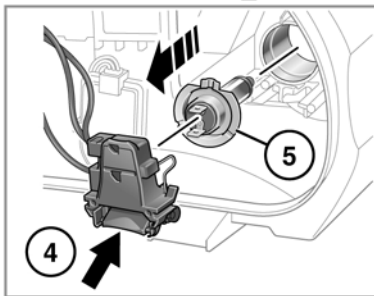
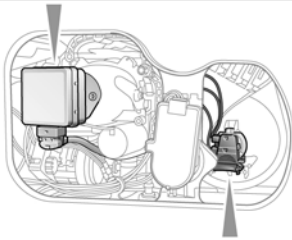
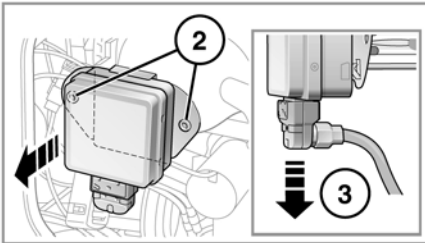
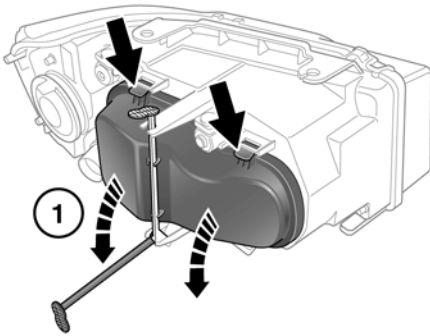
Dependent on vehicle specification, halogen bulbs may be used for high beam, low beam, and front fog lamps. Take care not to touch the glass part of the bulb with your fingers; always use a cloth to handle the bulb. If necessary use methylated spirits to remove finger prints.

XENON LAMPS

- ⚠ Replacement or maintenance of Xenon lamps should only be carried out by suitably qualified personnel.
- ⚠ High voltage is required to ignite the gas and metal vapour which are used to power Xenon lamps. Contact with this voltage can cause serious injury.
- ⚠ Xenon lamp units operate at a very high temperature. Ensure that the lamp units have cooled before attempting to touch them.
- ⚠ Xenon lamp units contain Mercury which is highly toxic and can be extremely harmful.
-  Seek advice about the correct disposal of Xenon lamp units from a Land Rover Dealer/Authorised Repairer, or your local authority.

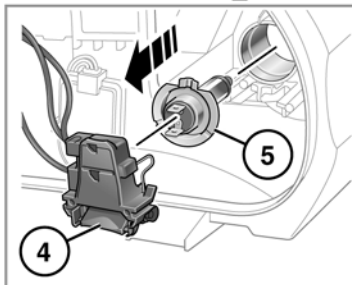
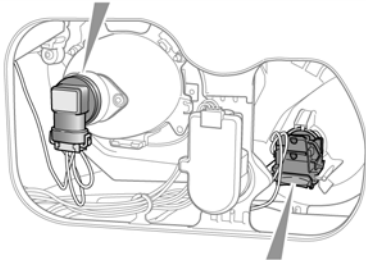
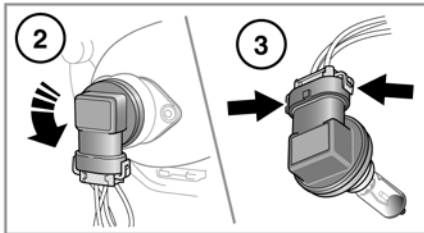
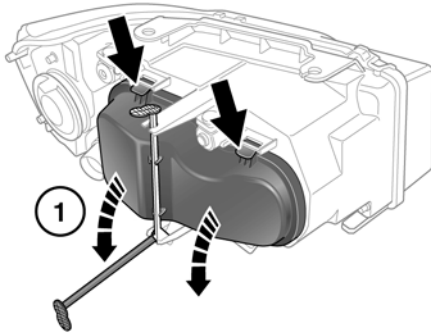
HEADLAMP BULB - COMBINED XENON AND HALOGEN

1. Unclip the locking lever, press down the two tabs and remove the cover.
2. Undo the two retaining screws and remove the Xenon unit.
3. Remove the connector from the Xenon unit.
4. Pull the connector off of the Halogen bulb.
5. Unclip the halogen bulb and remove it from the unit.



SL1430

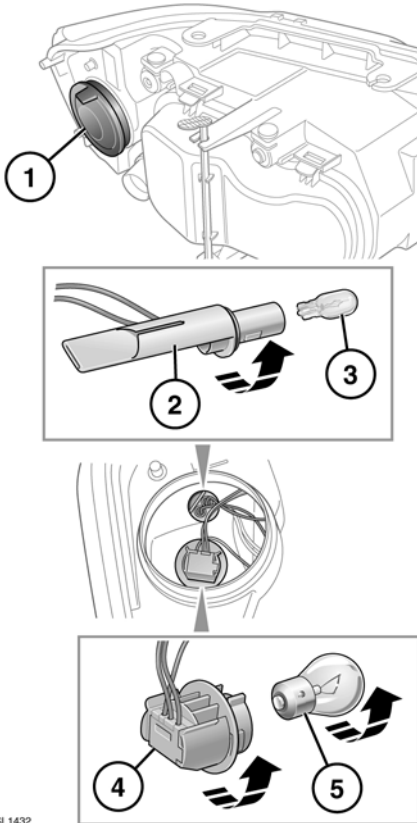
HEADLAMP BULB - HALOGEN ONLY



1. Unclip the locking lever, press down the two tabs and remove the cover.
2. Pull the Halogen dipped beam connector off of the bulb.
 - ⚠ Take care not to touch this type of bulb with your fingers; always use a cloth to handle them. If necessary, clean the bulb with methylated spirits to remove fingerprints.
3. Unclip the bulb and remove it from the unit.
4. Pull the main beam connector off of the bulb.
5. Unclip the bulb and remove it from the unit.

SL1431

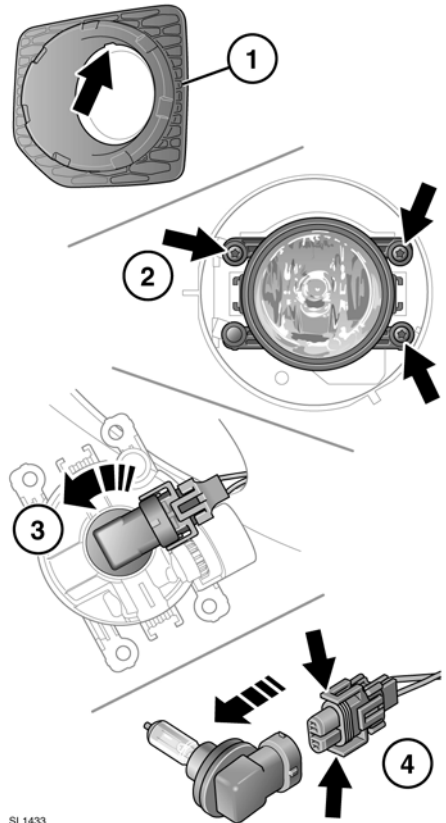
SIDE LAMP AND INDICATOR BULBS



SL 1432

1. Remove the cover.
2. Twist the side lamp bulb holder and remove it from the lamp unit.
3. Pull bulb from holder to remove.
4. Twist the indicator bulb holder, and remove it from the lamp unit.
5. Press the bulb into the holder, then twist it and remove.

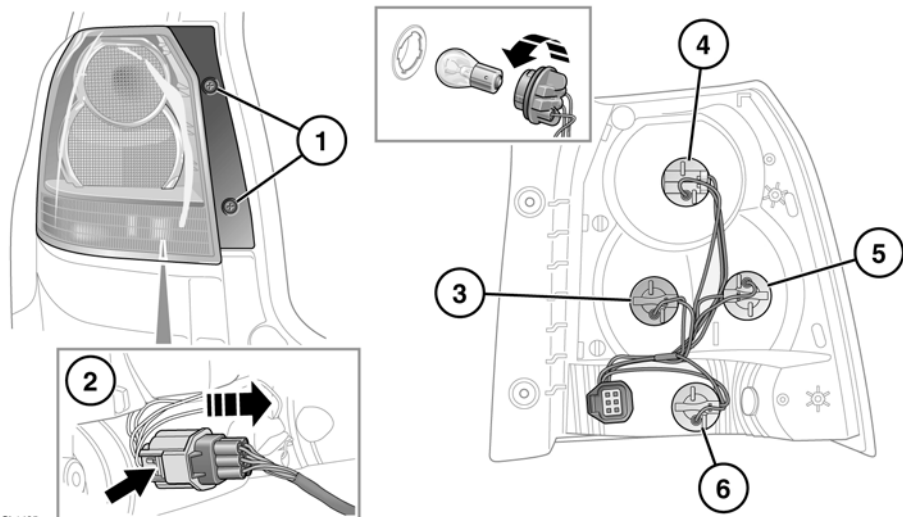
FRONT FOG LAMP BULB



SL 1433

1. Using the slot at the top of the lamp surround, lever out with a suitable implement to remove.
2. Undo the three retaining screws, and remove the lamp unit.
3. Rotate the bulb holder (anticlockwise) and remove from the lamp unit.
4. Press the two clips together, and remove the electrical connector.

CHANGING REAR LAMP BULBS

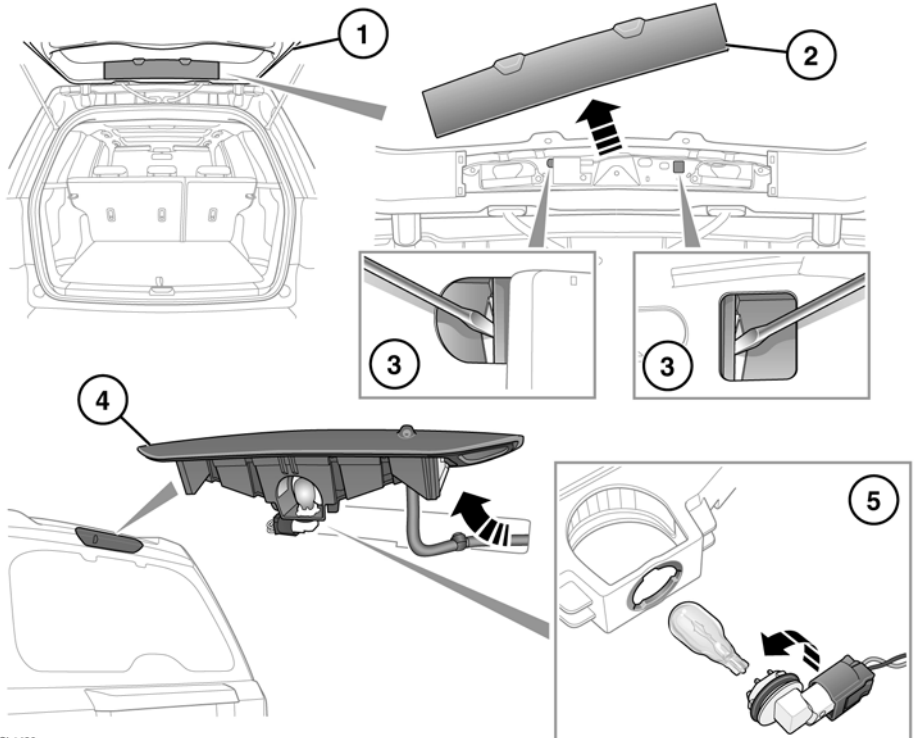


SL1435

1. With the tailgate open, remove the two screws from the inner edge of the unit.
2. Pull the unit carefully away from the vehicle, disconnect the electrical connector and remove the unit from the vehicle
3. Direction indicator.
4. Stop/tail lamp.
5. Reversing lamp
6. Rear fog lamp.

Twist the relevant bulb unit and pull to access the bulb. Push, twist and pull to remove the bulb.

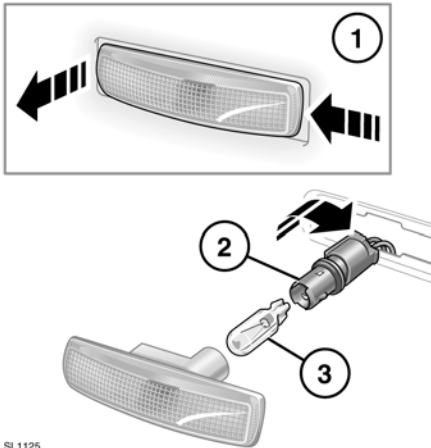
HIGH LEVEL BRAKE LAMP



SL1436

1. Open the tailgate.
2. Remove the interior trim cover.
3. Using a suitable implement, press in the lamp unit retaining clips and close the tailgate.
4. Remove the lamp unit from the tailgate.
5. Rotate the bulb holder and remove it from the lamp unit, then pull the bulb from the holder.

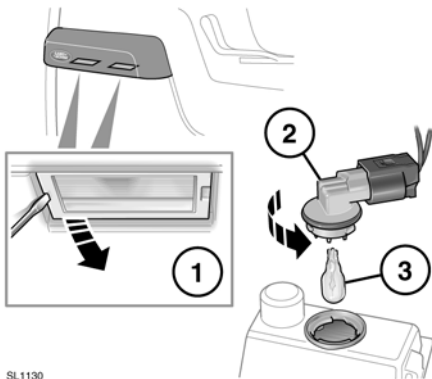
SIDE REPEATER LAMP BULB



SL1125

Follow the steps illustrated. Insert a new bulb and refit the components.

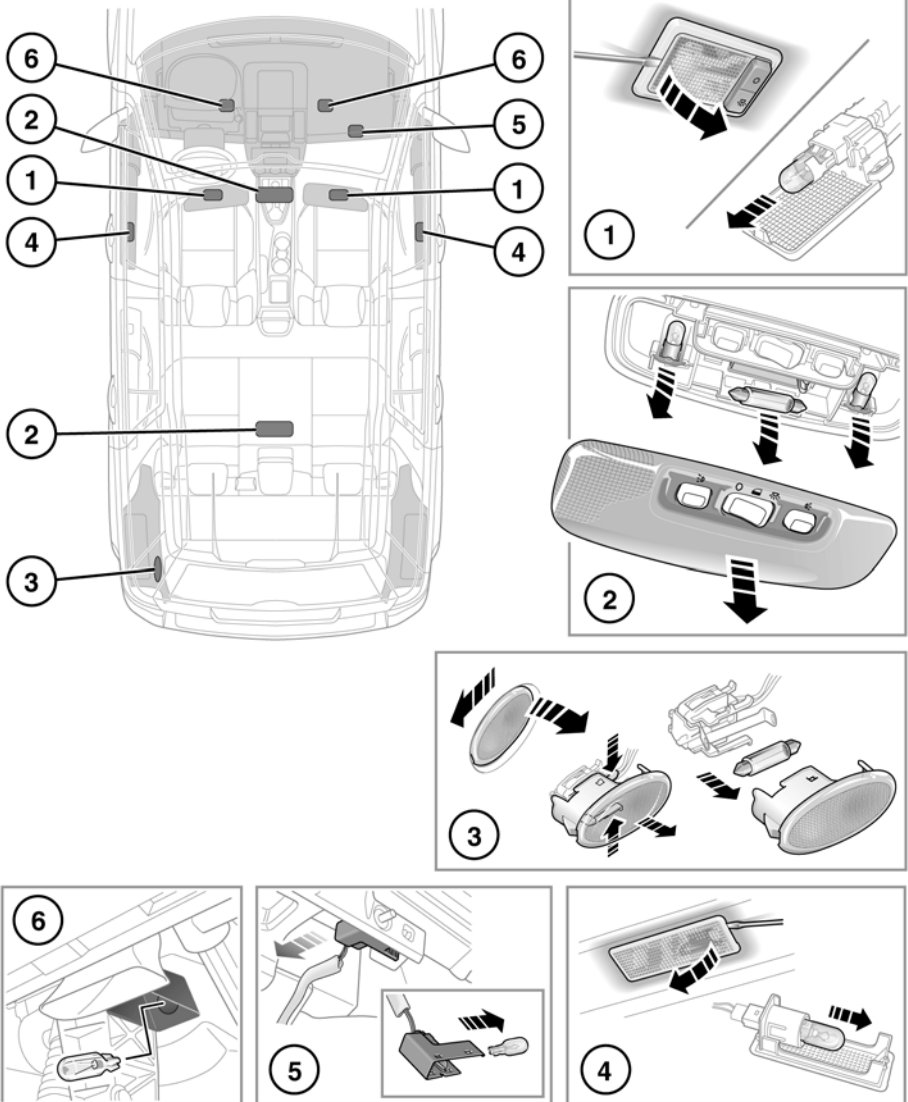
LICENCE PLATE LAMP BULB



SL1130

Follow the steps illustrated. Insert a new bulb and refit the components.

INTERIOR LAMPS - BULB CHANGING



SL1439

Follow the steps illustrated. Insert a new bulb and refit the components.

1. Vanity mirror lamps.
2. Courtesy lamp and map lamps.
3. Load space lamp.
4. Puddle lamps.
5. Glove box lamp.
6. Footwell lamps.

WINDOW RESET

The windows will need to be reset if the battery is disconnected, becomes discharged or power supply is interrupted.

Reset as follows:

1. Close the window fully.
2. Release the switch, then lift it to the close position and hold for 1 second.
3. Repeat the procedure on each window.

SUNROOF RESET

If the battery is disconnected or the power supply is interrupted whilst the sunroof is partially open, it will need to be recalibrated.

Once the battery is reconnected or the power supply is restored, recalibrate the sunroof as follows:

1. Switch the ignition on.
2. With the sunroof closed, press and release the front of the switch. The sunroof will move to the tilted position.
3. Press the front of the sunroof switch and hold for 20 seconds.
4. After 20 seconds, the sunroof will begin to move. Keep the front of the switch pressed until the fully open/close cycle has completed.
5. Once the sunroof has stopped moving, release the switch.

The sunroof can now be operated as normal.

SERVICE DATA RECORDING

Service data recorders in your vehicle are capable of collecting and storing diagnostic information about your vehicle. This potentially includes information about the performance or status of various systems and modules in the vehicle such as engine, throttle, steering or brakes.

In order to properly diagnose and service your vehicle, Land Rover and service and repair facilities may access vehicle diagnostic information through a direct connection to your vehicle.

PARTS AND ACCESSORIES



The fitting of non-approved parts and accessories, or the carrying out of non-approved alterations or conversions, may be dangerous and could affect the safety of the vehicle and occupants and also invalidate the terms and conditions of the vehicle warranty.



Land Rover will not accept any liability for death, personal injury or damage to property which may occur as a direct result of fitment of non-approved accessories or the carrying out of non-approved conversions to Land Rover vehicles.

CLEANING THE EXTERIOR

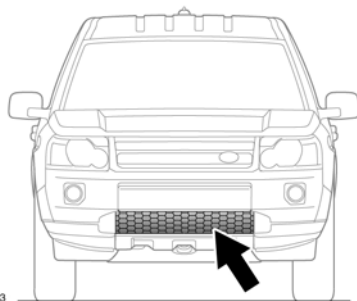
- ❗ Never aim the water jet directly at the engine air intake, heater air intakes, body seals (doors, sunroof, windows etc.) or at any components which may be damaged (lights, mirrors, exterior trim etc.).
- ❗ Do not use a power wash system in the engine bay area.
- ❗ Following cleaning of the vehicle exterior (particularly with a pressure washer), it is recommended that the vehicle is taken for a short drive to dry out the brakes.
- ❗ Substances which are corrosive, such as bird droppings, can damage the vehicle's paintwork and should be removed as soon as possible.

UNDERBODY MAINTENANCE

Regularly flush the underbody with plain water, and pay particular attention to areas where mud and debris collect.

If damage or corrosion are detected, have the vehicle checked by a Land Rover Dealer/Authorised Repairer as soon as possible.

CLEANING AFTER OFF-ROAD DRIVING



SL1593

- ❗ Ensure that the areas around air intakes and the front grille are clean and clear of debris. Pay particular attention to the lower grille and radiator. Failure to do so may cause the engine to overheat, leading to severe engine damage.

Ensure that the vehicle underside is cleaned as soon as possible after driving off-road.


PLASTIC AND CLOTH




Do not polish the instrument panel. Polished surfaces are reflective, and may interfere with the drivers view.

Clean plastic or cloth faced surfaces with warm water and non-detergent soap. Then wipe clean with a soft cloth.

LEATHER

 Only use cleaning products specifically designed for use on leather. Do not use chemical, alcohol, or abrasive materials, as they will cause rapid deterioration of the leather. The use of products which are not approved will invalidate your warranty.

 If you are in any doubt as to which products to use, consult your Land Rover Dealer/Approved Repairer.

Leather should be cleaned and protected at least every six months.

To prevent ingrained dirt and staining, inspect the seat upholstery regularly and clean every 1 to 2 months as follows:

1. Wipe off fine dust from the seat surfaces using a clean, damp, non-coloured cloth. Avoid over wetting the leather.
2. If this is not sufficient, use a cloth which has been dampened with warm soapy water and then wrung out. Use only mild non-caustic soap.
3. Use Land Rover leather cleaner for heavily soiled areas. Dry off and rub the with a clean soft cloth, changing surfaces regularly.

Use Land Rover leather cleaner several times a year to maintain the leather's suppleness and appearance. The cleaner will nourish and moisturise and help to improve the surface protection film against dust and substances.

- Dark clothing may stain leather seats just like other upholstery products.
- Sharp objects such as belts, zippers, rivets etc can leave permanent scratches and scratch marks on the leather surface.
- Unless spillages such as tea, coffee or ink are washed away immediately, permanent staining may have to be accepted.

If a valet service is used, ensure that the specialist concerned is aware of, and follows, these instructions precisely.

Note: *Some materials/fabrics are prone to dye transfer, which can cause unsightly discolouration of lighter coloured leathers. Affected areas should be cleaned and re-protected as soon as possible.*

SEAT BELTS



Do not allow any water, cleaning products, or fabric from cloths to enter the seat belt mechanism. Any substance which enters the mechanism may affect the performance of the seat belt in an impact.

Extend the seat belts fully, then use warm water and a non-detergent soap to clean. Allow the seat belts to dry naturally whilst fully extended.

Note: *Whilst cleaning the seat belt, take the opportunity to examine the webbing for damage/wear. Any wear or damage should be reported to, and rectified by, a Land Rover Dealer/Approved Repairer.*

AIRBAG MODULE COVERS



Airbag covers should only be cleaned using a slightly dampened cloth, and a small amount of upholstery cleaner.



Do not allow the airbag covers, or surrounding areas, to become contaminated with liquids. Any substance which enters the mechanism can prevent correct deployment of an airbag during an impact.

TOUCH SCREEN CARE

- Clean with a lightly moistened cloth.
- Do not use chemical agents or domestic cleaners.
- To prevent errors occurring, ensure that only one finger at a time is in contact with the screen.
- Do not use excessive pressure.
- Do not allow sharp, hard or abrasive objects to make contact with the screen.
- Avoid exposing the screen to direct sunlight for long periods.