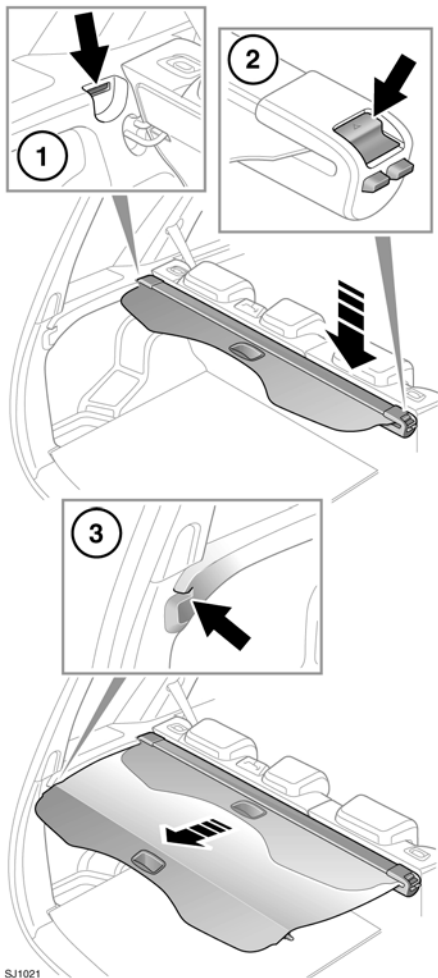


REAR LOADSPACE COVER



Never place objects on top of the luggage cover. During an accident or sudden manoeuvre, loose objects can cause serious injury or death.



SJ1021

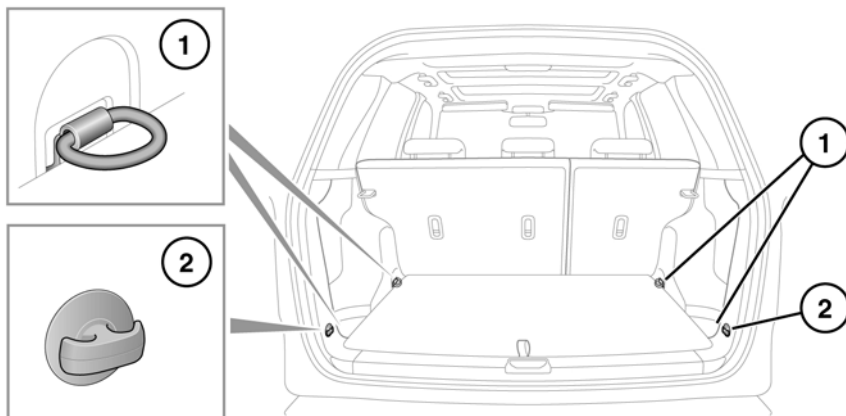
1. Insert the location peg on the left-hand end of the luggage cover into the slot.

2. Lower the right-hand end into position by pulling back the release button. Ensure that the release button returns to the locked position when the cover is in position.
3. Pull the luggage cover blind towards the rear of the vehicle. Engage the end pegs into the recesses provided in the load space side trims.



Do not store the loadspace cover loose in the vehicle.

LUGGAGE ANCHOR POINTS



SL1022



All items carried in the luggage area should be properly secured.

1. Load securing rings.
 - To assist in safely securing large items of luggage, four fixing points are located in the rear loadspace floor.
2. Bag hooks.
 - The bag hooks should only be used to secure light items such as shopping bags.

Note: A range of approved luggage retention accessories are available from your Land Rover Dealer/Authorised Repairer.



When removing or replacing the loadspace floor ensure that children and pets are kept at a safe distance to avoid injury.

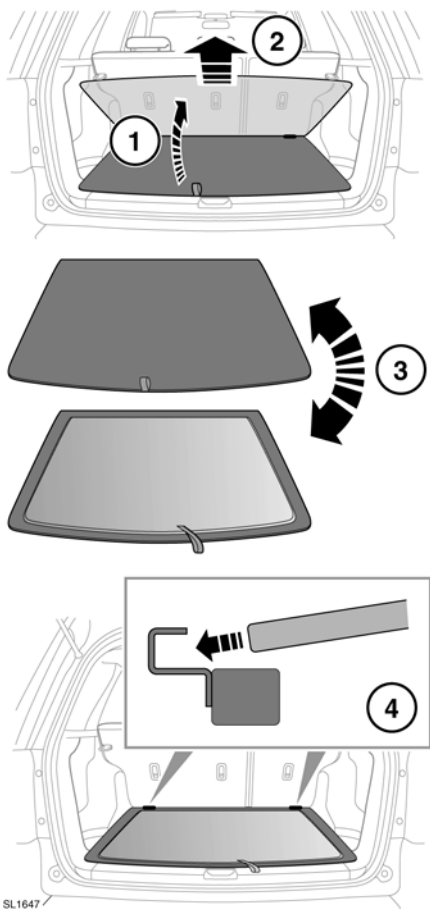
The loadspace floor is reversible to allow a choice of carpeted or hard surfaces to be made.

LOADSPACE FLOOR



When removing or replacing the loadspace floor, take care to avoid getting your hands or fingers trapped between the floor panel and the vehicle.

Load carrying



To reverse the loadspace floor:-

1. Raise the floor panel.
2. Pull the panel towards the rear of the vehicle and remove it.
3. Turn the required floor finish upwards.
4. Insert the forward edge of the panel into the retaining channel and lower it into position.