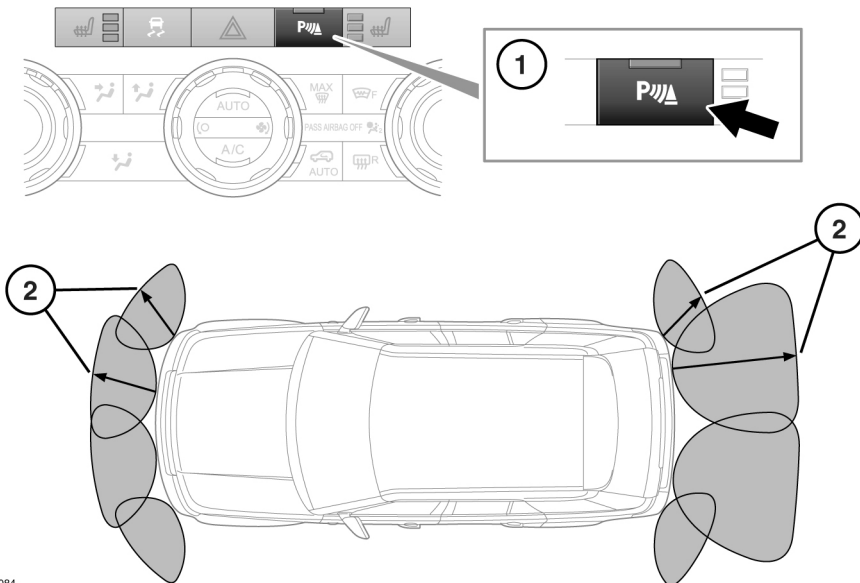


## USING THE PARKING AID



SL1084

**!** Parking aids may not detect moving objects such as children and animals, until they are dangerously close. Always use extreme caution when manoeuvring.

**!** PDC sensors may not detect some obstructions (e.g. narrow posts, small objects close to the ground and some objects with dark non-reflective surfaces).

1. When reverse gear is selected, the front and rear parking sensors are activated automatically, and the switch indicator will illuminate.

To manually activate the front sensors press the PDC button, a short confirmation tone will be heard, and the switch indicator will illuminate.

To turn off the system when active, press the button. The switch indicator will extinguish.

2. The range of the parking aid sensors varies between the front, rear and corners of the vehicle. The front sensors and rear corner sensors have an approximate range of 600 mm (24 inches). The centre rear sensors have an approximate range of 1500 mm (60 inches).

The front sensors will remain active as long as the vehicle's speed does not exceed 16 km/h (10 mph).

In vehicles fitted with automatic transmission, selecting **N** from **R** will keep front and rear sensors active.

When objects are detected, the parking aid emits a warning tone which increases in frequency as the vehicle gets closer to the object and then becomes constant when the obstacle is within 300 mm (12 inches).

**Note:** *The front parking aid provides an audible proximity warning when driving forwards and when reversing.*

## TOWING

The rear sensors are automatically disabled when a trailer is connected.

## SENSOR CARE



When washing the vehicle do not aim high pressure water jets directly at the sensors. Do not use abrasive materials or hard/sharp objects to clean the sensors. Only use approved vehicle shampoo.

The sensors should be kept clean to maintain accuracy and performance.

## SYSTEM FAULT

If a system fault is detected, a long high-pitched tone will sound, and the switch indicator will flash. Contact your Dealer/ Authorised Repairer as soon as possible.