

## STEERING COLUMN LOCK

⚠ During vehicle recovery, the Smart Key must remain inside the vehicle, so that the steering column remains unlocked.

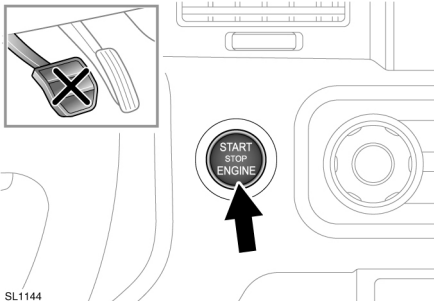
Your vehicle is fitted with an electronic steering column lock. The column unlocks when a Smart Key is detected inside the vehicle.

If any malfunction of the steering column lock occurs, **STEERING COLUMN LOCKED** will be displayed in the message centre. If this occurs:

1. Lock and then unlock the vehicle using the Smart Key.
2. Try again to unlock the steering column lock, by turning the steering wheel gently to the left and right.
3. If the problem persists, seek qualified assistance immediately.

## SWITCHING ON THE IGNITION

To turn on the ignition without starting the engine. Ensure the brake and/or clutch pedal are not depressed, and with a valid Smart Key present in the vehicle, press the START/STOP button and hold until the warning lamps illuminate, then release the button.



⚠ If the brake or clutch pedal are applied when the start/stop button is pressed, the engine will start.

## BATTERY CHARGING - RED



Illuminates as a bulb check when the ignition is turned on and extinguishes once the engine is running. If it remains on, or illuminates whilst driving, a fault with the battery charging system is indicated. Seek qualified assistance urgently.

## LOW OIL PRESSURE - RED



Illuminates as a bulb check when the ignition is turned on and extinguishes when the engine is started. If the warning lamp remains on, flashes on and off, or illuminates whilst driving, stop the vehicle as soon as safety permits and switch off the engine immediately. Always check the oil level when this lamp illuminates. If the oil level is ok, seek qualified assistance before driving.

## KEYLESS STARTING



**Never start the engine and leave it running when the vehicle is in an enclosed space. Exhaust gases are poisonous and can cause unconsciousness and death if inhaled.**

To start the engine:

- The Smart Key must be inside the vehicle.
- **P** or **N** must be selected (automatic transmission only).
- Apply the brake pedal (and/or the clutch pedal on manual transmission).
- Press and release the START/STOP button.

Once the engine has started, the brake (and/or clutch) pedal can be released if it safe to do so.

## ADDITIONAL INFORMATION FOR DIESEL ENGINE MODELS

Diesel engine models may have an additional delay of up to 12 seconds between the START/STOP button being pressed and the engine starting. During this delay period, keep the brake or clutch pedal depressed and do not press the START/STOP button a second time. Doing so will cancel the starting procedure.

**Note:** *In very cold conditions it is normal for the engine cranking time to be increased.*

## IF THE ENGINE FAILS TO START

**Note:** *If the engine fails to crank when the START/STOP button is pressed, and there has been a recent collision, the fuel system inertia switch may have been tripped. Seek qualified assistance.*

### **Petrol engines:**

If the engine persistently fails to start, make sure the transmission is in **P** or **N** (neutral for manual transmission) and press the START/STOP button (without applying the brake pedal) to switch on the ignition. Slowly depress the accelerator pedal fully, then hold it in the fully down position and press the START/STOP button with the brake pedal applied. The engine will then begin to crank. Release the accelerator pedal when the engine starts.

If the engine fails to crank, or fails to start, consult your Dealer/Authorised Repairer.

### **Diesel engines:**

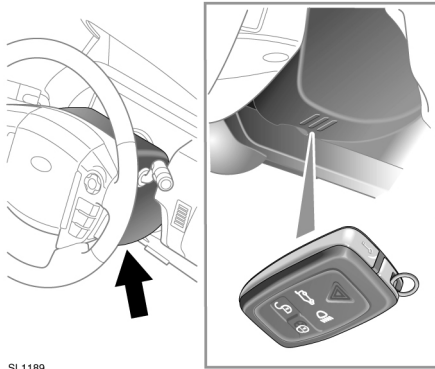
If the engine persistently fails to start, make sure the transmission is in **P** or **N** (neutral for manual transmission vehicles) then press the START/STOP button (with the brake pedal applied). Keep the START/STOP button and the brake pedal pressed until the engine starts, then release.

If the engine still fails to crank, or fails to start consult your Dealer/Authorised Repairer.

## KEYLESS START BACKUP

If the vehicle has been unlocked using the emergency key blade or the Smart Key is not detected by the vehicle, it will be necessary to use the keyless start backup to disarm the alarm and start the engine.

The keyless start backup can only be used when the message **Smart Key Not Found Place As Shown** is displayed in the message centre.



SL1189

Position the Smart Key against the underside of the steering column cover with the buttons facing downwards.

**Note:** *There are markings on the cover to help locate the correct position.*

When the Smart Key is positioned in this area, it will be recognised by the vehicle and the message **Smart Key Recognised** will be displayed in the message centre.

Holding the Smart Key in position and the brake or clutch pedal depressed, press and release the START/STOP button to start the engine.

Once the engine has been started, you no longer need to hold the Smart Key against the steering column cover.

**Note:** *If the Smart Key is not recognised or the engine still fails to start, consult your Dealer/ Authorised Repairer*

## STOPPING THE ENGINE



**Never stop the engine when the vehicle is in motion.**

Before stopping the engine, ensure that the vehicle is parked safely with the parking brake applied. On automatic transmission vehicles, the gear selector will also need to be in **P**.

Press and release the engine START/STOP button to stop the engine. The audio, telephone and touch screen systems will revert to stand-by mode.

Pressing the START/STOP button again (without pressing the brake or clutch pedal), will activate the systems.