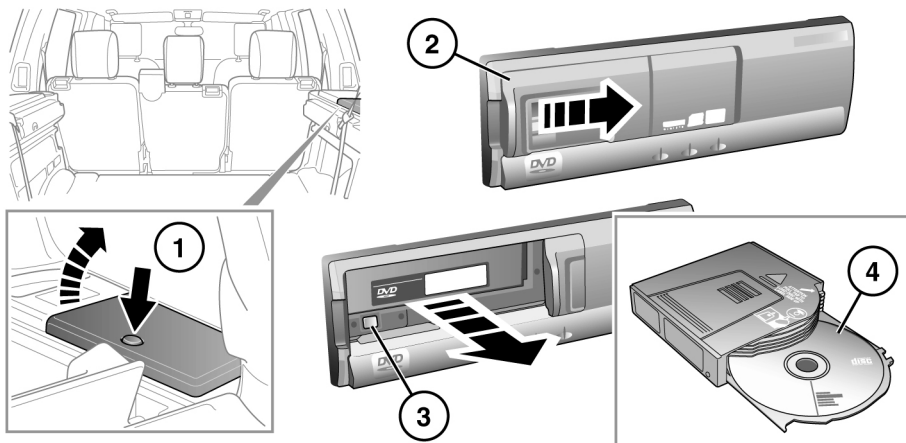


## DVD PLAYER



SL1517

The player will play 12 cm DVDs, Video CDs and audio CDs.

**Note:** Video CDs will have less options available from their menus.



SL1519

The DVD player is not compatible with High Definition DVD discs, DVD-ROMs, DVD-RAMs, Photo CDs, MP3s or DVD plus discs.

### Loading the player:

5. Open the cover.
6. Slide the door open.
7. Press the eject button to release the cassette.
8. Load a disc into the cassette with the label side facing upwards.
9. Insert the cassette into the DVD player.
10. Close the sliding door.



Do not leave the DVD player door in the open position. Ingress of dirt or moisture can reduce playback quality, and may result in damage to the player.



Do not place any device/object that emits a magnetic field near to the player.



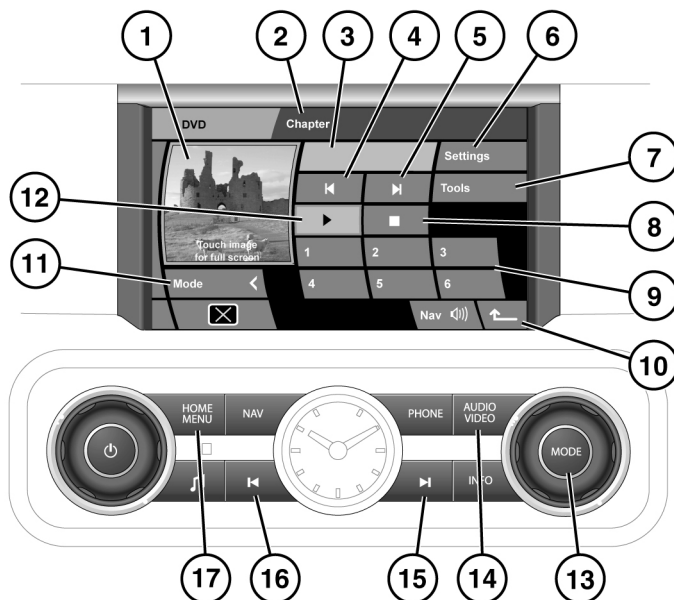
Do not insert any object other than the recommended discs into the player.



Ensure that discs are clean/dust-free, before inserting into the player.

**Note:** This product incorporates copyright protection technology that is protected by method claims of certain U.S. patents and other intellectual property rights owned by Macrovision Corporation and other rights owners. Use of this copyright protection technology must be authorised by Macrovision Corporation, and is intended for home and other limited viewing uses only unless otherwise authorised by Macrovision Corporation. Reverse engineering or disassembly is prohibited.

## DVD CONTROLS



SL1525

1. Preview picture area (not available when vehicle is in motion).
2. Chapter information.
3. Message area.
4. Backward search: Select to view the previous chapter or video
5. Forward search: Select to view the next chapter or video.
6. Settings: Select to access DVD format screen.
7. Tools: Select to access special features menu.
8. Select to pause/stop DVD play.
9. Touch the relevant number to select DVDs loaded into changer unit.
10. Select to return to previous screen.
11. Mode: Select to toggle between DVD and TV.
12. Select to start/resume DVD playback.
13. MODE button: Press to view alternative audio sources, rotate to select a source.
14. AUDIO VIDEO button: Press to access the main TV/DVD menu.
15. Press to forward search.
16. Press to backward search.
17. HOME MENU button: Press to return to the Home menu.

## DVD MENU SELECTION

There are 2 methods for selecting DVD mode.

### Access via the **AUDIO VIDEO** button:

1. While in another viewing mode (e.g. Navigation), press the hard button for direct access to the TV/DVD control menu.
2. Select the **AUDIO VIDEO** soft key to toggle between TV and DVD. If a further selection is not made within five seconds, the left side selection soft keys will be replaced with a **Mode** soft key. This allows for a larger preview area to be displayed. If the TV control menu is displayed, touch the **Mode** soft key to return to the **TV/DVD** soft key then toggle to DVD.

### Access via the Home menu:

1. Press the **HOME MENU** hard button.
2. Touch the **Audio Video** soft key to access the audio/video menu.
3. As in the first access method, select DVD with the **TV/DVD** soft key.

## ALTERNATIVE AUDIO SOURCE

In single view display mode and while already listening to an audio source, an alternative audio source can be selected if required, (e.g. DAB).

Press the **OK** or **MODE** rotary control to display alternative audio sources then rotate to select DAB. After 2 seconds, the DAB source will play. The screen view will remain unaffected.

## PLAYING A DVD

### To select and play a disc:

1. Touch the numeric soft key that the required disc is loaded to. The disc menu will display in the preview area.
2. Touch the play soft key (**12**).

### To pause and stop a disc:

To pause DVD play, touch the stop soft key (**8**) once. To resume play from the point where pause was requested, touch the play soft key (**12**).

To stop DVD play touch the stop soft key twice. The DVD programme will return to its start point.

The current state will be displayed along the bottom of the preview screen.

### Forward and backward movement:

While a DVD is playing, touch/press the relevant Search soft/hard keys to skip to the next/previous chapter.

A long touch or press will fast forward/review through the current chapter.

## DVD SPECIAL FEATURES

Select **Tools** to view the special features menu.

### Menu (DVD Changer):

DVD play must be stopped before this menu will display. A long touch of the **Menu** soft key will display the DVD changer menu.

Use the direction soft keys plus **Return** and **Enter** to modify the DVD changer menu.

### GOTO:

When a DVD has title, chapter and time information, it can be accessed by touching the **GOTO** soft key. Repeated presses of the **GOTO** soft key will scroll through the available information pages.

Use **GOTO** to access a point within the DVD (e.g. select Chapter to display a chapter selection pop-up). Enter a chapter number, then select **ENTER**.

Touch and hold **GOTO** to display DVD status information.

A second long touch will display the previous screen.

### Subtitle:

Select to toggle through the available subtitle options. Subtitles will be displayed along the bottom of the screen.

To turn subtitles off, touch and hold the **Subtitle** soft key.

### Angle:

Some DVD programmes offer alternative viewing angles in selected scenes. Touch the soft key to toggle through the available options.

### Audio:

Some DVD programmes have alternative or extra sound features, such as a commentary. Touch the soft key to toggle through the available options.

## DVD FORMATS AND SCREEN SETTINGS

**NTSC** (National Television System Committee) is the format used in North America.

**PAL** (Phase Alternating Line) format is used in the United Kingdom and other countries around the world.

To change the format, select **Settings**. Select the alternative format. After 5 seconds, the screen will return to normal view.

## SCREEN APPEARANCE

When moving from preview to full screen size, **4:3**, **Zoom** and **16:9**, will be displayed for approximately 5 seconds.

Select the aspect ratio to suit your video media.

- 4:3 - Commonly used for TV.
- ZOOM - Similar to ratio used for films produced for cinema release.
- 16:9 - Widescreen.