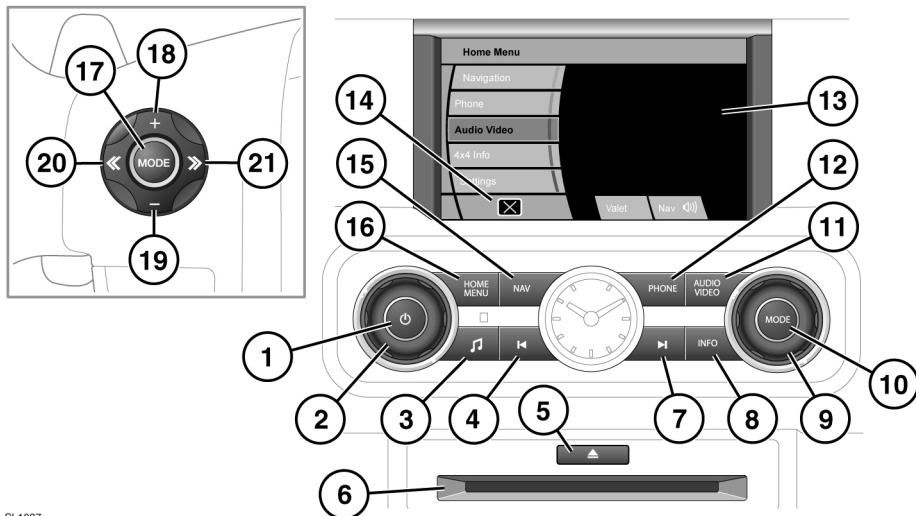


AUDIO CONTROLS



SL1087



Sustained exposure to high sound levels can damage your hearing.

1. On/off.
2. Volume.
3. Press to display the Tone menu.
4. Search down: Press to select the next radio station frequency down or previous track on the chosen audio source.
5. CD eject.
6. CD slot.
7. Search up: Press to select the next radio station frequency up or next track on the chosen audio source.
8. Traffic/News information. Briefly press to turn on TA (Traffic Announcement). The **TA** indicator will appear on the right of the information display. When a selected radio station is capable of providing traffic information, **TP** will also be displayed.

When a traffic message is received, **TRAFFIC** will alternate with the station name.

Press and hold to select **NEWS**. This feature works in the same manner as **TA**.

9. Menu navigation control: Rotate to scroll through menu items.
10. Mode. Press to change the audio mode.
11. Press to display the Audio/Video menu.
12. Press to display the Phone menu.
13. Touch screen.
14. Select to turn off the screen. This will not affect audio output. Select again to turn the screen on.
15. Press to display the Navigation menu.
16. Press to display the Home menu.
17. Steering wheel Mode control. Press to repeatedly to select the required media.
18. Volume increase.

19. Volume decrease.
20. Search down/decrease.
21. Search up/increase.



Note: *Physical buttons are referred to as hard keys. The touch screen virtual buttons are referred to as soft keys.*

SWITCHING THE TOUCH SCREEN ON

To switch on the system, press the Audio on/off hard key (1).

The first time the touch screen system is switched on, the home menu will be displayed. Switching the system on subsequently, will display the screen or menu that was in use when the system was switched off.

TOUCH SCREEN USE

-  Always run the engine during prolonged use of the touch screen.
-  Do not use excessive pressure when selecting items on the touch screen.

The touch screen is operated by a combination of buttons on the fascia and steering wheel (referred to as hard keys), and virtual buttons on the touch screen (referred to as soft keys). The soft keys only require light pressure to function.

TURNING OFF THE TOUCH SCREEN

The touch screen display can be turned off without turning off the system by touching the display off soft key on the screen.

Touch the screen to turn the display back on.

PERSONALISING THE SYSTEM SETTINGS

Your vehicle is delivered with the system language etc., configured for the market in which the vehicle is intended.

Select **Settings** on the touch screen to change the settings to suit your preference.

From the Settings menu, touch the soft key corresponding to the category you would like to change.

VOICE SETTINGS

From the main Settings menu, select Voice settings soft key.

From the Voice settings menu, touch the soft key for the setting you wish to change.

VOLUME SETTINGS

Automatic volume control (AVC) adjusts volume level as speed increases. This compensates for increased noise level at higher speeds. The amount of volume increase can be set to suit personal requirements.

To adjust the setting:

1. Press and hold the **Tone** button to display the volume setup menu.
2. Select **AVC**.
3. Use the + and - soft keys to change settings.

Volume of announcements such as traffic and news items on RDS, can be set to suit personal requirements.

1. Press and hold the **Tone** button to display the volume setup menu.
2. Select **INFO**.
3. Use the + and - soft keys to change settings.

Touch screen audio system

Volume setting changes for Navigation, Telephone and Voice control, can be made in a similar manner after selecting the appropriate soft key.

To reset volume levels to factory default, touch the **Reset All** soft key.

tone SETTINGS

Bass, treble, sub woofer, balance, fade and audio effects, can be adjusted to suit personal requirements.

To adjust settings:

1. Briefly press the **Tone** button to display the **Tone** menu.
2. Select the **Tone** soft key.
3. Use the **+** and **-** soft keys to change settings.

To adjust balance and fade:

1. Briefly press the **Tone** button to display the **Tone** menu.
2. Select the **Balance/Fader** soft key.
3. Use the arrow soft keys to move the highlighted icons. These represent the bias direction for audio output.

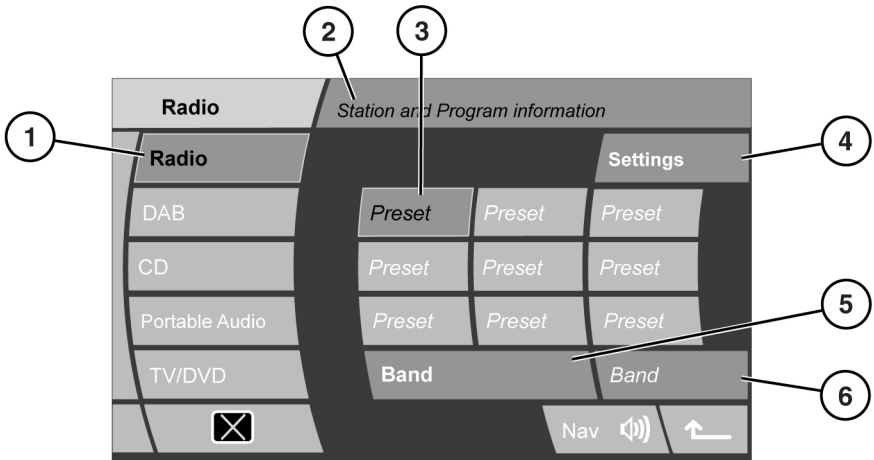
Source Memory and **Logic 7** influence the delivery of audio effects. Select the **Memory Source** button for more information. Logic 7 can be turned on or off by touching the soft key.

All tone settings can be restored to factory default, by touching the **Reset All** soft key.

RADIO OPERATION

To access the radio, either touch the **Audio Video** soft key, or press the MODE button and turn the rotary control until **Radio** is highlighted.

TOUCH SCREEN CONTROLS



SL1089

1. Radio mode select.
2. Information area.
3. Station presets: Each waveband has 9 preset positions.
 - Touch and hold to store the current station on that preset (the radio will mute while the station is stored).
 - Touch and release to tune to the station stored on that preset.
 - Use the search controls on the steering wheel to change to the next or previous preset station. Alternatively, use the fascia search controls.
4. Radio settings: Select to alter the Sound, Options, RDS or PTY (programme type) settings.
5. Waveband selection: Touch to cycle through FM1, FM2 and AM (MW and LW). The radio will tune to the last used station on that waveband.
6. Selected waveband display, **FMA, AMA** and **LWA**. Touch to select for Autostore.
 - If no stations are currently stored on the presets, select this soft key to store up to 9 of the strongest stations on the current waveband (the radio will mute during this process).
 - If preset and autostore preset stations are already stored, a long touch will start a new autostore process.

STATION SEARCH

When another mode screen is in use and a station search button is pressed, station information will be displayed briefly on a pop-up.

MANUAL TUNING

To manually input a frequency, touch the FM Settings soft key.

Touch the **Tuning** soft key and a pop-up will be displayed. Enter the first digits of the frequency.

Note: *Only some of the digits will be enabled. These are the only digits available to start the frequency. When the first digits have been input, further available digits will be displayed.*

When the desired frequency has been entered, select **OK** to confirm.

RADIO DATA SYSTEM (RDS)

Your audio unit is equipped with RDS, which enables the audio unit to receive additional information with normal radio signals.

Note: *Not all FM radio stations broadcast RDS.*

With **FM** selected, touch **Settings** then **RDS Settings**, to view or alter RDS settings.

- **RDS:** Select on or off
- **Regionalisation:** Select **On** to enable radio retuning to an alternative local station that has a stronger signal.
- **Alternative Frequency:** Select **On** to allow the radio to automatically re-tune to a stronger alternative frequency for the current station. This is useful on long journeys, where the vehicle travels through different transmitter areas.

PRIORITY PROGRAMME TYPE (PTY)

PTY is active in FM radio, CD, TV and Portable audio modes only and has 2 functions:

1. To set a desired PTY category for the current station.
2. To search for and tune to a station in the selected PTY category.

To view the list of available PTY categories, select **Settings** and then **PTY**.

Note: *The PTY menu is not available when the vehicle is in motion.*

Setting a PTY category for the current station:

- Scroll down the list until the desired category is displayed, then touch the category to select.
- Touch the Back (previous screen) arrow in the bottom right-hand corner of the touch screen.

Note: *There will be a short wait for RDS to indicate that the station has changed its programme type.*

If reception for the current station is subsequently lost, the radio will attempt to tune to an alternative station with the same PTY category.

LOADING COMPACT DISCS

- ❗ Do not force the disc into the slot.
- ❗ Do not use irregular shaped CDs or CDs with a scratch protection film or self-adhesive labels attached.
- ❗ The CD unit will play compact discs that conform to the international Red Book standard audio specification. Playback of CDs not conforming to this standard cannot be guaranteed.
- ❗ Recordable (CD-R) discs and re-writable (CD-RW) discs, may not function correctly.
- ❗ Dual format, dual-sided discs (DVD Plus, CD-DVD format), are thicker than normal CDs and consequently, playback cannot be guaranteed and jamming may occur.

It is recommended that only high quality 12 cm (4.7 in.) circular discs are used.

The unit will play the following formats:

- Compact Disc Digital Audio (CDDA) discs.
- MP3 files.
- WMA files.
- WAV files.
- AAC files.

Note: Copy-protected CDs may fail to play in your CD changer or may be played subject to various limitations (e.g. sound quality may be impaired). If you experience a problem, try the CD in other players before contacting the CD vendor.

MP3 FILE PLAYBACK

If an MP3 CD is to be used, each session must be properly closed, but the whole disc does not have to be finalised.

When Track list is selected, the list of folders and MP3 files is displayed in alphabetical order. Select a folder to view, and select the tracks contained within.

- Only CDDA discs can be loaded into the CD player.
- The highest compression rate supported, is 320k bits per second (kbps). If anything less than 128 kbps is used, Digital Signal Processing (DSP) functionality may be lost.
- The CD player may take a longer time to load an MP3 disc, if there are more tracks than on a normal CD. To minimise loading time, a rigid folder structure is recommended.
- If a CD contains a mixture of MP3 and CDDA tracks, any MP3 tracks will be ignored.

PLAYING A COMPACT DISC

An in-dash single CD player is integrated into the audio unit. To load a CD, place in the slot in the front of the unit under the touch screen.

If a CD is loaded, playback will resume from the point of last play. If no CD is present, **No disc** will appear in the display.

To access the CD player touch the screen menu:

1. From the touch screen Home menu, select **Audio/Video** or press the hard key on the fascia.
2. Select **CD**.

Alternatively, press the **MODE** button and then select **CD**.

To eject a CD, press the eject button and remove from the audio unit. If the CD is not removed after a short period, it will be drawn back into the audio unit.

To pause CD play, touch the **II** soft key. Touch again to resume play.

TRACK SELECTION

When playing a CD, the display will show the current track being played, the total number of tracks on the CD, and the time elapsed since the current track began to play.

You can move to the previous or next track, by briefly pressing the search buttons.

Pressing and holding the search buttons will fast forward or rewind the CD.

COMPACT DISC PLAY OPTIONS

The following compact disc play options are available from the **Settings** menu.

- **Random:** Select to play tracks in a random order. Touch again to cancel.
- **Repeat:** Select to play the current track repeatedly.
- **Scan:** Select to play the first 10 seconds of each track on the CD in turn.

***Note:** Repeat and Scan can be cancelled by pressing the track up or down button.*

Only one option can be active at a time.

If a different audio source is selected, or the unit is turned off, the selected play option will be cancelled.