

RECOMMENDED TOWING WEIGHTS

Maximum permissible towing weights	On-road	Off-road
Unbraked trailers	750 kg (1650 lbs)	750 kg (1650 lbs)
Trailers with overrun brakes	3500 kg (4400 lbs)*	1000 kg (2205 lbs)
Nose weight	150 kg (330 lbs)	-
Nose weight - Australia only	350 kg (770 lb)	-

* For diesel vehicles in Algeria, Egypt, India, Libya, Morocco, Pakistan and Tunisia, the maximum permissible towing weight for a trailer with overrun brakes is 1500 kg (3307 lbs).

See **208, WEIGHTS**, for details of the Gross Vehicle Weight (GVW), Gross train weight, axle weights and maximum payload.

Note: When towing, the maximum permissible Gross Vehicle Weight can be increased by a maximum of 100 kg (220 lbs) provided that the road speed is limited to 100 km/h (60 mph).

Note: When calculating rear axle loading, remember that the trailer nose weight, the load in the vehicle's luggage area, weight on the roof rack, and the weight of rear seat passengers must all be added together.

TRAILER ELECTRICAL CONNECTION



Only connect approved electrical circuits, which are in good condition, to the trailer socket.



When a trailer electrical connection is made, and the vehicle's direction indicators are used, the trailer warning lamp will flash in time with the direction indicators.

TOWING A TRAILER



Never exceed the maximum weights for either the vehicle, or the trailer. Doing so can cause accelerated wear and damage to the vehicle. It can also adversely affect vehicle stability and braking which in turn can lead to loss of control and increased braking distance, resulting in a rollover or crash.



To preserve handling and stability, only fit Land Rover approved towing accessories.



Never use towing eyes or lashing points to tow a trailer. They have not been designed for this purpose and doing so may cause them to fail, resulting in injury or death.



To avoid overheating the gearbox (and the clutch on manual vehicles), it is not advisable to tow heavy trailer loads at speeds of less than 32 km/h (21 mph) in High range. Select Low range instead.

LEVELLING

To maintain vehicle stability, it is essential that the trailer is loaded so that it remains parallel to the ground. This is particularly important when towing twin axled trailers.

ESSENTIAL TOWING CHECKS

- When calculating the laden weight of the trailer, remember to include the weight of the trailer, plus the weight of the load.
- If the load can be divided between the vehicle and trailer, loading more weight into the vehicle will generally improve stability. Do not exceed the vehicle's weight limits.
- Increase rear tyre pressures of the towing vehicle to those for maximum vehicle loading conditions.
- Ensure trailer tyre pressures are set to trailer manufacturer's recommendations.
- If the vehicle is loaded to maximum Gross Vehicle Weight (GVW) the nose weight is limited to 150 kg (330 lbs). See **208, WEIGHTS**.
- If it is necessary to increase the nose weight up to a maximum of 250 kg (550 lbs), the vehicle load should be reduced accordingly. This ensures that the GVW and maximum rear axle load are not exceeded.
- Ensure that a suitable breakaway cable or secondary coupling is used. Refer to the trailer manufacturer's instructions for guidance.
- Ensure that the tow ball is secure.
- Check the operation of all trailer lights.



Do not loop the breakaway cable over the tow ball as it may slide off.



Do not exceed the Gross Vehicle Weight (GVW), maximum rear axle weight, maximum trailer weight, or nose weight. Exceeding any of these limits could cause instability and loss of control.

Australia only:

- **Tyre pressures** - Increase rear pressures of towing vehicle to those for maximum Gross Vehicle Weight conditions.
- **Nose weight** - Must be a minimum of 7% of gross caravan/trailer weight, up to a maximum of 350 kg (722 lb).
- **Hitch height** - Must be set with the engine running, so that the caravan/trailer is level when connected to the vehicle.

TOW BALL/DRAWBAR STOWAGE

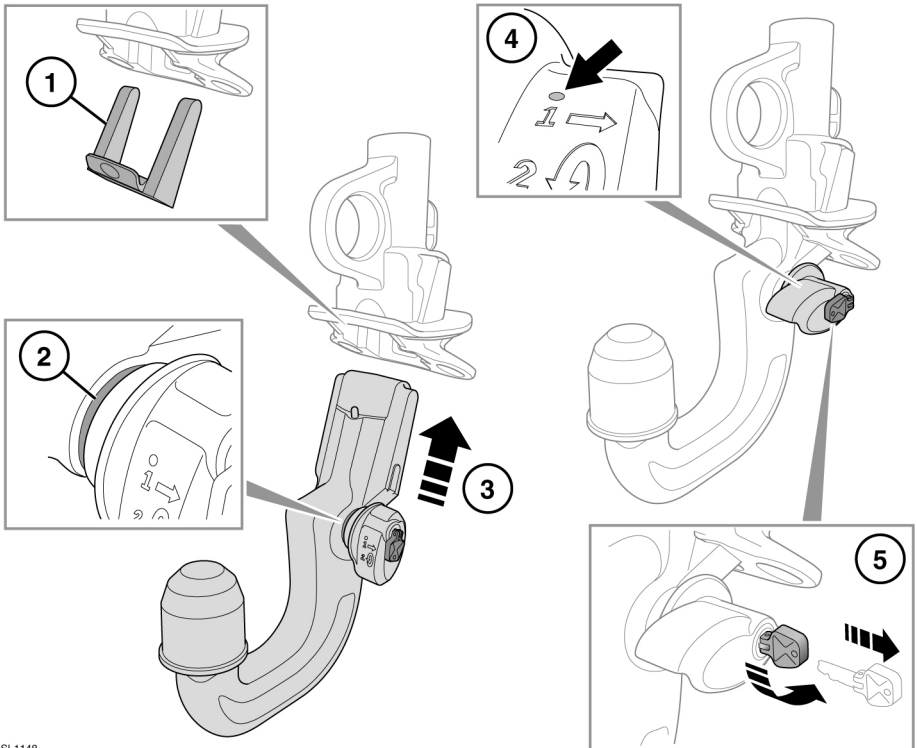


The tow ball/drawbar receiver is heavy, care must be taken when handling it. When the ball locks into position, the locking lever can snap back under spring pressure, take care not to catch your fingers.

5 seat vehicles: The tow ball/drawbar receiver is stowed under the loadspace floor.

7 seat vehicles: The tow ball/drawbar receiver is stowed behind an access cover on the left hand side of the loadspace.

FITTING THE DETACHABLE TOW BALL



SL1148

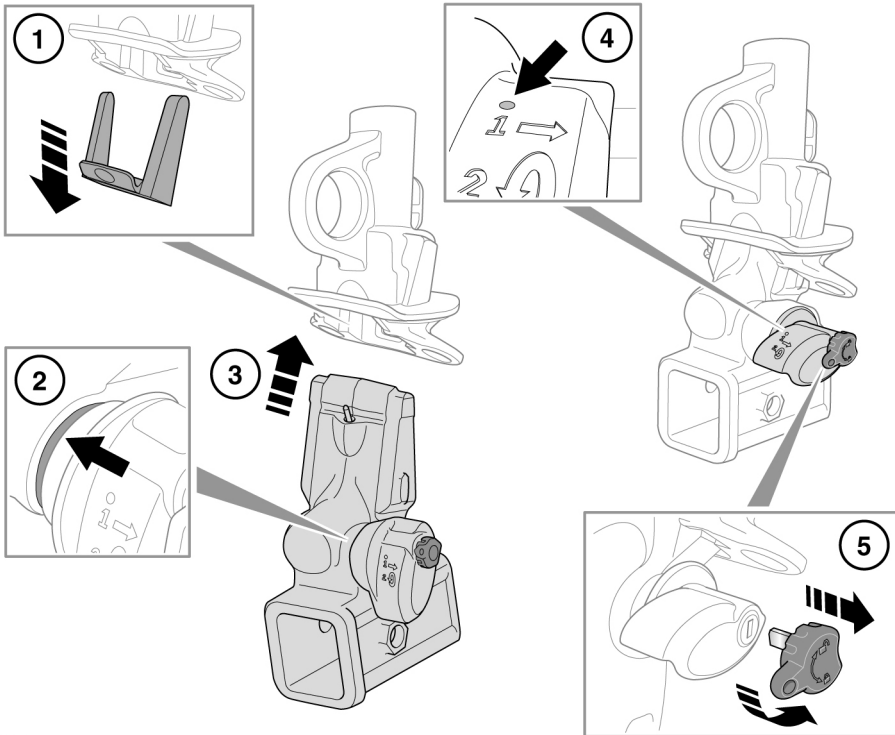
1. Remove the protective cover from the tow ball and stow it in the tow ball stowage area.
2. The tow ball can only be installed when the green locking lever is in the unlocked position.
3. Insert the tow ball into the mounting and push firmly upwards until the tow ball locks into position.
4. The red marker must be completely covered by the green locking lever.
5. Turn the key counterclockwise to lock the tow ball and remove the key before towing.

REMOVING THE DETACHABLE TOW BALL

Removal of the tow ball is the reverse of fitting.

Note: The key cannot be removed when the tow ball has been detached.

FITTING THE DETACHABLE DRAWBAR RECEIVER - Australia only



SL1753

1. Remove the protective cover from the vehicle mounting and stow it into the drawbar receiver stowage area.
2. The receiver can be installed only when the green locking lever is in the unlocked position.
3. Insert the receiver into the vehicle mounting and push firmly upwards until it locks into position.
4. The red marker must be completely covered by the green locking lever.

5. Unfold the key and turn it anticlockwise to lock the receiver, before inserting a drawbar. Remove the key and store in a safe place.

REMOVING THE DETACHABLE DRAWBAR RECEIVER

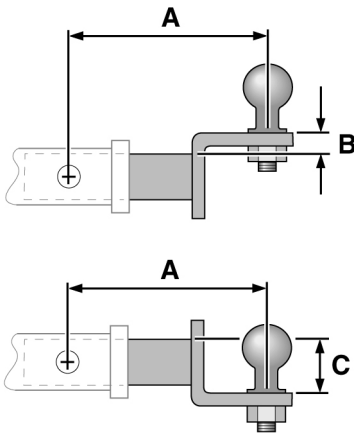
Removal of the drawbar receiver is the reverse of fitting.

Note: The key cannot be removed when the drawbar receiver has been detached.

TRAILER HITCH - Australia only

The optional trailer hitch (drawbar) receiver is rated as a Class III.

When selecting a drawbar for the receiver, the following dimensions must be adhered to:

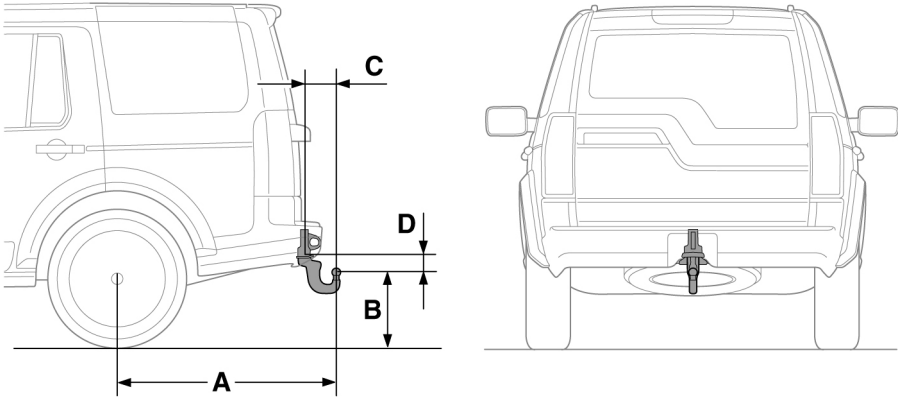


SL1754

- A.** The maximum recommended drawbar length is 152 mm (6 in.).
- B.** To achieve the maximum ball height, a drawbar with a rise of 25.4 mm (1 in.) is recommended.
- C.** To achieve the minimum ball height, a drawbar with a drop of 60 mm (2 3/8 in.) is recommended.

Consult your Land Rover Dealer/Authorised Repairer for the latest information.

TOW BALL AND MOUNTING POINT DIMENSIONS - FIXED TOW BALL



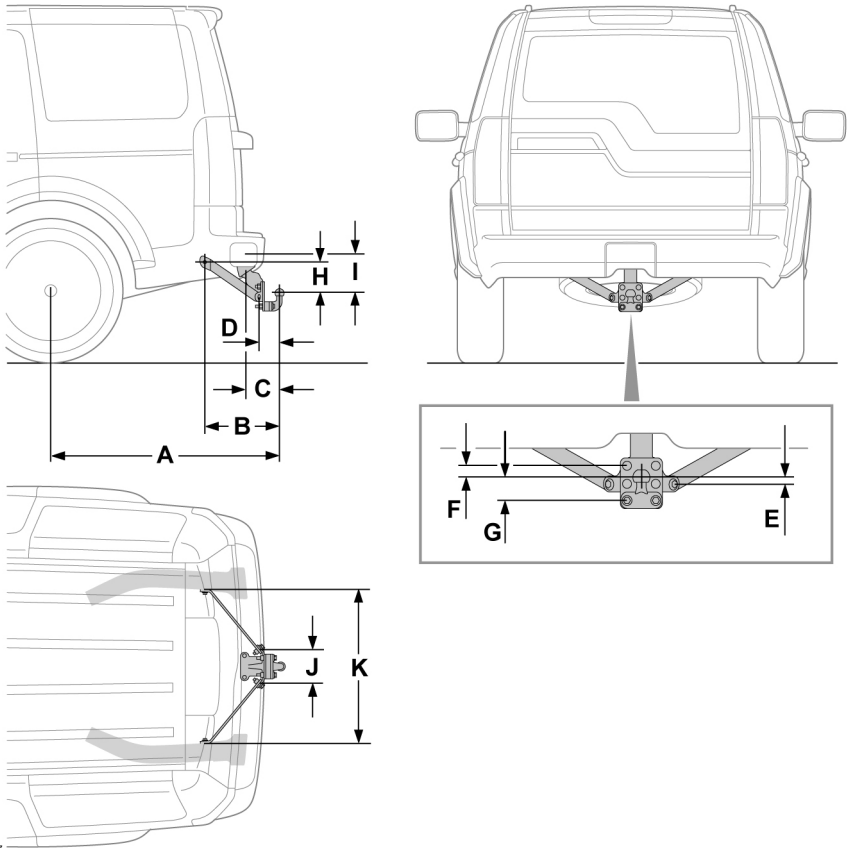
SL1146

Ref.	Dimension	Metric	Imperial
A	Wheel centre to centre of tow ball	1,190 mm	46.9 in.
B	Ground to centre of tow ball	409 mm	16.1 in.
C	Centre of tow ball to tow bar attachment	170 mm	6.7 in.
D	Centre of tow ball to tow bar attachment	124 mm	4.9 in.

Note: Dimensions refer to towing equipment officially released by Land Rover.

Note: Australia only: The optional drawbar has significantly different dimensions and is rated as a Class III. See 73, **TRAILER HITCH - Australia only.**

TOW BALL AND MOUNTING POINT DIMENSIONS - MULTI-HEIGHT DROP PLATE



SL1147

Ref.	Dimension	Metric	Imperial
A	Wheel centre to centre of tow ball	1,210 mm	47.64 in.
B	Centre of outer attachment points to centre of tow ball (horizontal)	403.6 mm	15.89 in.
C	Centre of housing bayonet slot tip radius to centre of tow ball	192.4 mm	7.57 in.

Towing

Ref.	Dimension	Metric	Imperial
D	Centre of inner attachment points to centre of tow ball (horizontal)	124 mm	4.9 in.
E	Centre of inner attachment points to centre of tow ball (vertical)	20 mm	0.79 in.
F	Centre of upper tow ball plate bolt to centre of tow ball (vertical)	36 mm	1.42 in.
G	Centre of lower tow ball plate bolt to centre of tow ball (vertical)	70 mm	2.76 in.
H	Centre of outer attachment points to centre of tow ball (horizontal)	167.3 mm	6.59 in.
I	Centre of line housing bayonet slot tip radius to centre of tow ball (vertical)	174.3 mm	6.86 in.
J	Distance between inner attachment point centres	180.5 mm	7.10in.
K	Distance between outer attachment point centres	822.5 mm	32.38 in.