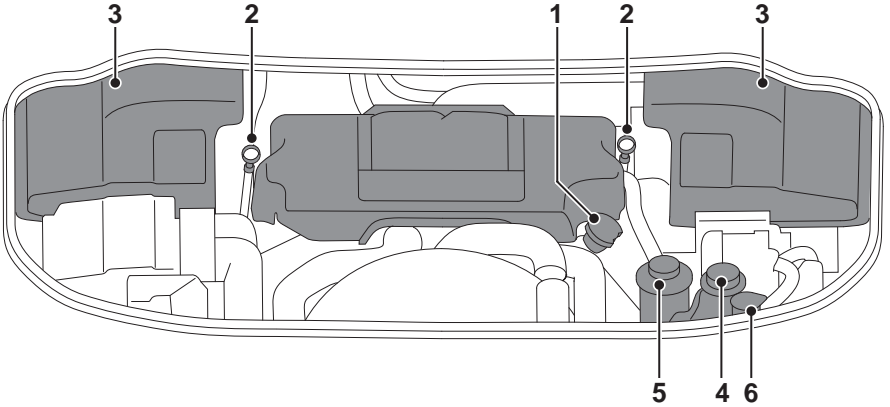


# Maintenance

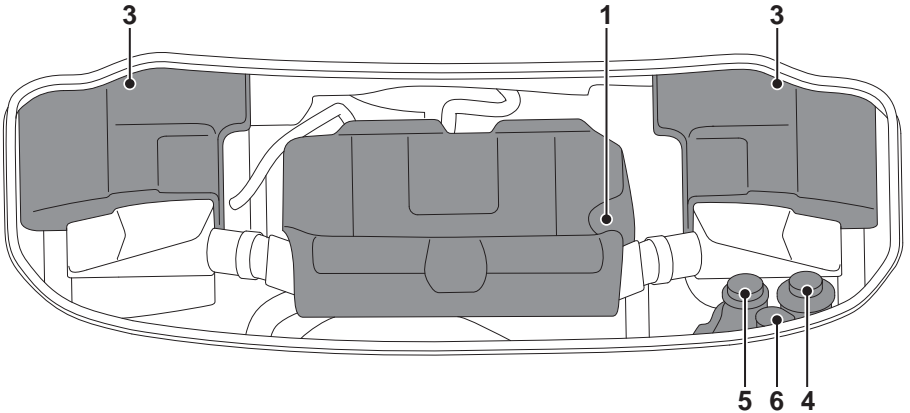
## ENGINE COMPARTMENT OVERVIEW

### 2.7L Diesel and V6 Petrol



LAN2375

### 3.0L Diesel and V8 Petrol



LAN2374

# Maintenance

## WARNING



While working in the engine compartment, always observe the safety precautions listed under Safety in the garage. See **GENERAL INFORMATION** (page 204).

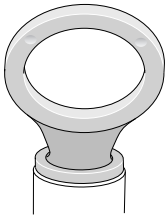
Do not drive the vehicle if there is a possibility that leaked fluid will come into contact with a hot surface, such as the exhaust. A resulting fire may cause death or serious injury.

### 1. Engine oil filler cap



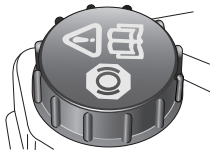
LAN2326

### 2. Engine oil dipstick



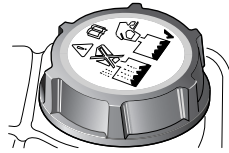
E89412

### 3. Brake fluid reservoir cap



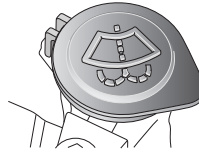
E83862

### 4. Coolant reservoir cap



E83863

### 5. Washer fluid reservoir cap



E83864

### 6. Power steering fluid reservoir cap



E83865