

Load carrying

LUGGAGE COVERS

WARNING



Never place objects on top of the luggage cover. During an accident or sudden manoeuvre loose objects can cause serious injury or death.

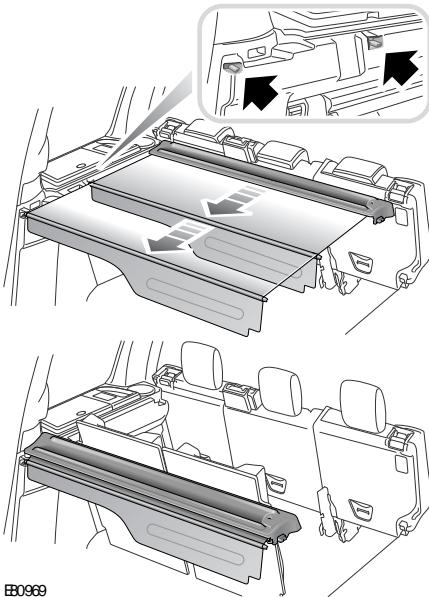
CAUTION



When retracting the cover make sure nothing is left on top. Some items, such as paper or fabrics, may become trapped and jam the mechanism.

If the cover is damaged, this may prevent the cover from operating correctly and cause further damage.

Operating the luggage cover



1. Pull the rigid portion of the blind to unroll the cover.

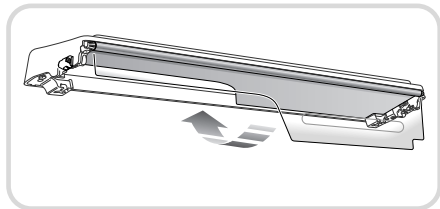
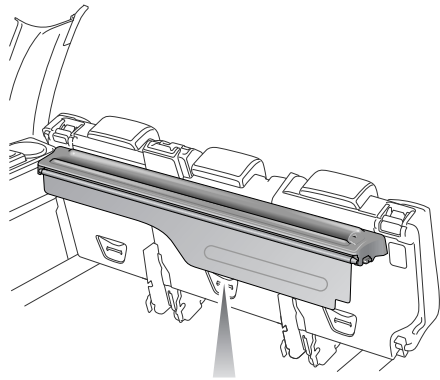
2. Engage the end pieces into the recessed features moulded into the loadspace sides.

Stowage of luggage cover

WARNING



When fitting the luggage cover in position ensure that the paddle returns to the flush (horizontal) position. Failure to do so may allow the luggage cover to move during an accident or sudden manoeuvre.



EB0970

1. Disengage the ends from the recess and fully retract the cover into the tray unit.
2. Fold the rigid portion of the blind back under the unit and press until the edge engages and is retained.

Load carrying

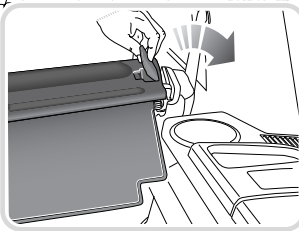
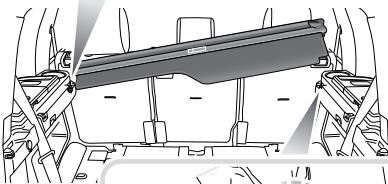
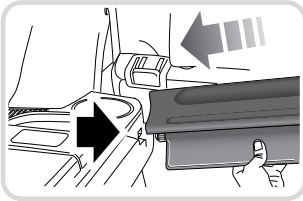
Removal and refitting of luggage cover

WARNING



Do not store the loadspace cover loose in the vehicle.

Note: It is easier to remove/refit if the second row seat backs have been tipped forward.



EB0971

The luggage cover cartridge can be placed at either end of the loadspace. The foremost fitting is close behind the second row of seats; the rearmost is behind where the third row of seats are in a 7-seat vehicle.

1. Pull up the paddle at the right-hand end of the cartridge; this disengages the locking bolt. Lift the right-hand end of the unit and pull it away from the opposite loadspace side.
2. Installation of the cartridge is the reverse of the removal procedure above.

5-seat vehicle

When the luggage cover is removed, it must be stored away from the vehicle.

7-seat vehicle

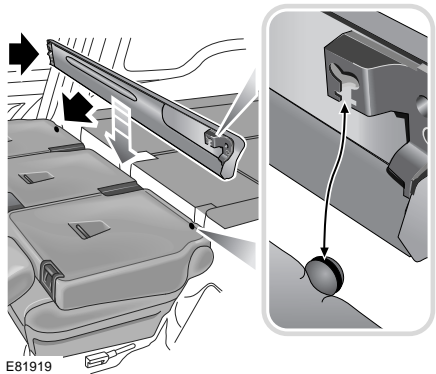
WARNING



Never fit the luggage cover behind the second row of seats if the third row is to be occupied.

CAUTIONS

- ! Remove the stowed unit before moving the seats.
- ! Do not attempt to raise the second-row seats into the upright position, or tip them forward for third-row access, while the luggage cover is in this stowed position as damage will result.



If the luggage cover is removed from a 7-seat vehicle and both the second and third rows of seats are down, the cover can be stowed in the gap between the second and third row seats. Lower the cover into the gap and engage the receivers onto the studs protruding from the outboard portions of the outboard second-row seat-backs.