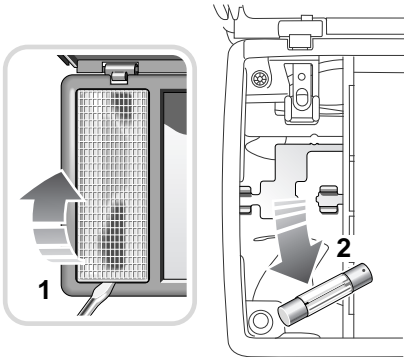


Lighting

Vanity mirror lamp bulb



BB1090

Follow the steps illustrated. Insert a new bulb and refit the components.

BULB SPECIFICATION CHART

CAUTION

⚠ Before replacing a bulb, ensure that both the affected lamp and the vehicle's ignition system are turned off. If the circuit remains live a short circuit can occur which may damage the vehicle's electrical system.

Note: All bulbs must be rated at 12 volts.

Bulb	Watts
Headlamps (Halogen)	55 (H7)
Headlamps (Xenon)	55 (D3S)
Cornering lamps	35 (H8)
Front fog lamps	55 (H11)
Front direction indicators	PY 24W
Side lamps	W5W
Side repeater lamps	WY5W
Reverse lamps	P21
Rear fog guard lamps	P21
Number plate lamps	W5W
Door or puddle lamps	W5W
Interior, luggage, footwell or tailgate lamps	W5W
Glove box lamp	W5W
Vanity mirror lamp	1.2

Note: The following lamps are LED units and are non-serviceable.

- Side lamps (Xenon headlamp units)
- Tail lamps
- Rear direction indicator lamps
- Stop lamps
- High mounted stop lamp

If any of these lamps should fail, they should be investigated by qualified personnel. Consult your Dealer/Authorised Repairer.