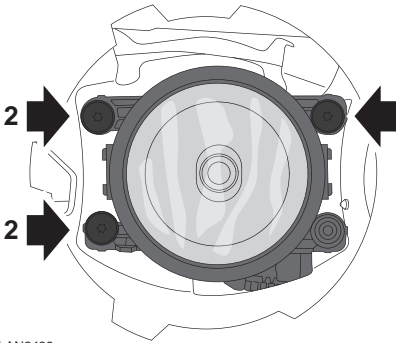
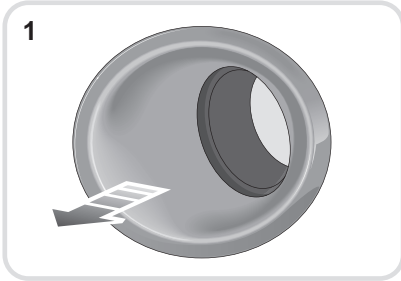


Lighting

FRONT FOG LAMP BULB

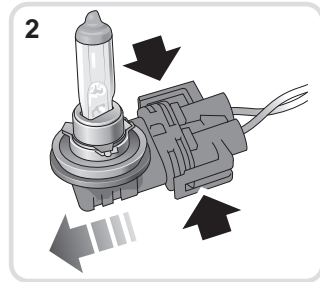
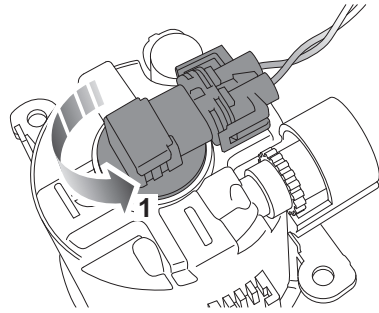
Removing the fog lamp



LAN2432

1. Using the finger slot at the top of the fog lamp surround, pull to remove.
2. Remove the three securing screws to release the lamp unit. Ease the unit out of the front bumper.

Replacing the bulb



LAN2433

1. Twist the bulb holder counterclockwise to unlock, then pull out the bulb, complete with electrical connector.
2. To release the bulb, depress the two catches (solid arrows in inset), then pull to remove the bulb from the holder.
3. Insert the new bulb and reverse the above procedure.