

Maintenance

POWER STEERING FLUID CHECK

WARNINGS



Power steering fluid is highly toxic. Keep containers sealed and out of reach of children. If accidental consumption of fluid is suspected, seek medical attention immediately.



If the fluid comes into contact with the skin or eyes, rinse immediately with plenty of water.



Do not spill the fluid onto a hot engine - a fire may result.

Checking the fluid level

CAUTIONS



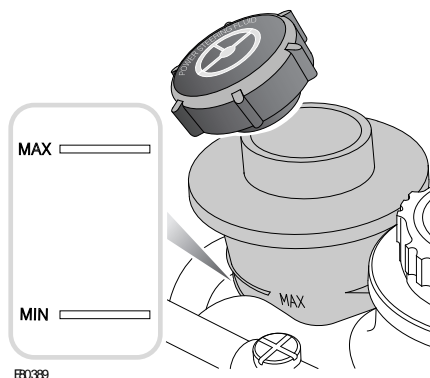
Do not start the engine if the fluid level has dropped below the **MIN** mark. Severe damage to the steering pump could result.



Seek qualified assistance immediately if there is a large or sudden drop in the fluid level.

If loss is slow, the reservoir may be topped-up to the upper level mark to enable the vehicle to be driven to a repair facility for examination. However, it is recommended that you seek qualified assistance before driving the vehicle.

Check and top-up the fluid with the vehicle on level ground, engine switched off and the system cold. Ensure that the steering wheel is not turned after stopping the engine.



Look at the level through the side of the transparent reservoir without removing the filler cap.

The fluid level should be between the **MIN** and the **MAX** marks.

Topping up the fluid

CAUTIONS



Power steering fluid will damage painted surfaces. Soak up any spillage with an absorbent cloth immediately and wash the area with a mixture of car shampoo and water.



Do not fill the reservoir above the **MAX** mark.

1. Clean the filler cap before removing to prevent dirt from entering the reservoir.
2. Remove filler cap.
3. Using Texaco Cold Climate PAS fluid, top-up the reservoir until the fluid level is between the **MIN** and **MAX** marks.
4. Replace the filler cap.