

# Introduction

## SYMBOLS GLOSSARY

### Warnings

#### WARNING



Safety warnings in this format are included in this handbook. They indicate either a procedure which must be followed precisely, or information that should be considered with great care in order to avoid the possibility of personal injury.

### Cautions

#### CAUTION



Cautions in this format are included in this handbook. They indicate either a procedure which must be followed precisely, or information that should be considered with great care in order to avoid the possibility of damage to your vehicle.

### Symbols



This recycling symbol identifies those items that must be disposed of safely in order to prevent unnecessary damage to the environment.



This symbol identifies those features that can be adjusted, disabled or enabled by your Dealer/Authorised Repairer.

## LABEL LOCATIONS



Warning labels attached to your vehicle bearing this symbol mean: Do not touch or adjust components until you have read the relevant instructions in the handbook.

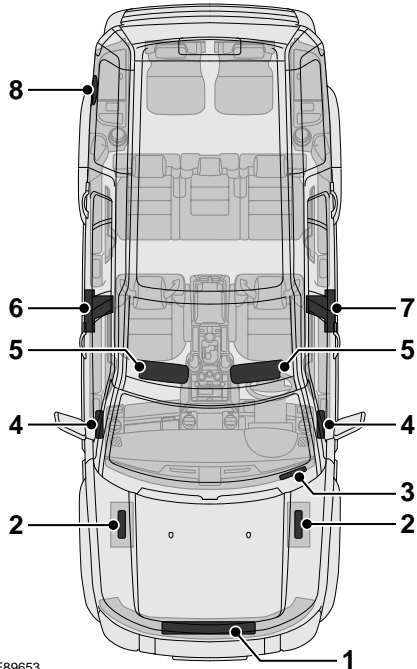


Labels showing this symbol indicate that the ignition system utilises very high voltages. Do not touch any ignition components while the starter switch is turned on.

### Warning labels

Labels are attached to your vehicle at several positions. These are applied to draw your attention to important subjects, e.g. tyre pressures, tow bar use, airbags, roll-over risk, engine compartment hazards, etc.

Additional information labels may also be found at these locations:



E89653

1. Bonnet locking platform - Air conditioning label, Vehicle Identification Number label (China).
2. Top face of battery - Battery warning symbols.
3. Windscreen lower left side - Vehicle identification number.
4. End of facia (passenger side) - Passenger airbag label.