

# Lighting

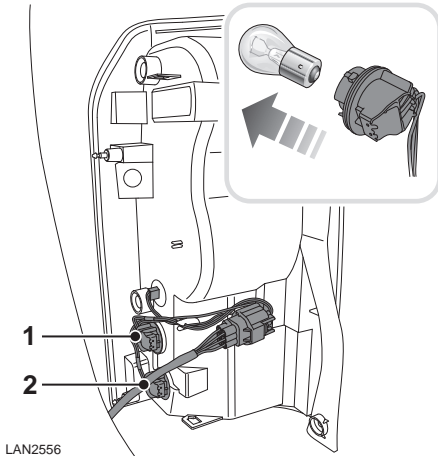
## REAR LAMP BULBS

*Note: The direction indicator lamp, stop lamp and tail lamp within the rear lamp units are LED and are non-serviceable.*

To change a bulb within the rear lamp unit it is necessary to completely remove the unit from the vehicle. See **REMOVING A REAR LAMP** (page 85).

### Rear lamp bulb

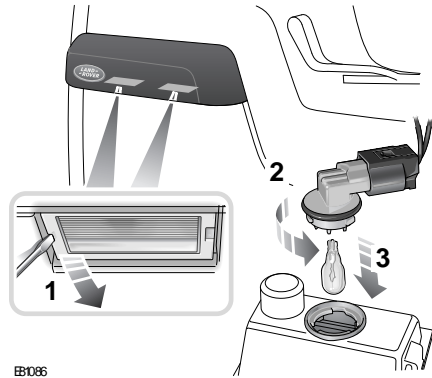
After the rear lamp unit has been removed, each bulb is accessible by twisting off its electrical connection cap.



LAN2556

1. Reversing lamp
2. Rear fog lamp

## Licence plate lamp bulb



Follow the steps illustrated. Insert a new bulb and refit the components.