

Keys and remote controls

USING THE SMART KEY

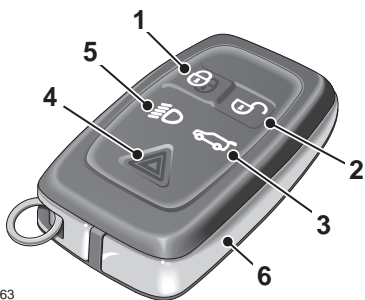
WARNING



Never leave the Smart Key in the vehicle if children or animals are also left in the vehicle. The vehicle's systems and remote control functions could be operated, which may result in injury.

Note: The operational range of the Smart Key will vary considerably depending on atmospheric conditions and interference from other transmitting devices.

Note: Some features of the security system are market dependent or are options, so may not be present on your vehicle.



1. Lock.
2. Unlock.
3. Tailgate release.
4. Panic alarm.
5. Approach lamps.
6. Emergency key blade.

Note: Operation of the Smart Key buttons is inhibited when the ignition is switched on. If the vehicle is stationary two warning tones will sound when a button is pressed.

Locking



Press to lock. See **LOCKING AND ARMING THE VEHICLE** (page 16).

Unlocking



Press to unlock. See **UNLOCKING AND DISARMING THE VEHICLE** (page 15).

Tailgate release



Press to unlock, disarm and open the tailgate. The vehicle security system will remain active, but for the period the tailgate is open, the intrusion and inclination sensing systems will be inhibited. Door and bonnet security will remain active.

When the tailgate is subsequently closed, the hazard warning lamps will flash after a few seconds, to confirm that the vehicle has rearmed the full alarm system (if previously armed).

Approach lamps



When approaching the vehicle in the dark, press to switch on the approach illumination. Pressing the button again or operating the START/STOP button, will turn the approach lamps off.

Note: The duration the headlamps will illuminate for can be set via the **Vehicle Set-up** menu. See **VEHICLE INFORMATION AND SETTINGS MENU** (page 33).