

# Child safety

## ISOFIX ANCHOR POINTS

### WARNINGS



Do not attempt to fit an ISOFIX child seat to the centre seating position.

The anchor bars are not designed to hold an ISOFIX restraint in this position. If the restraint is not correctly anchored, there is a significant risk of injury to the child in the event of a collision or emergency braking.

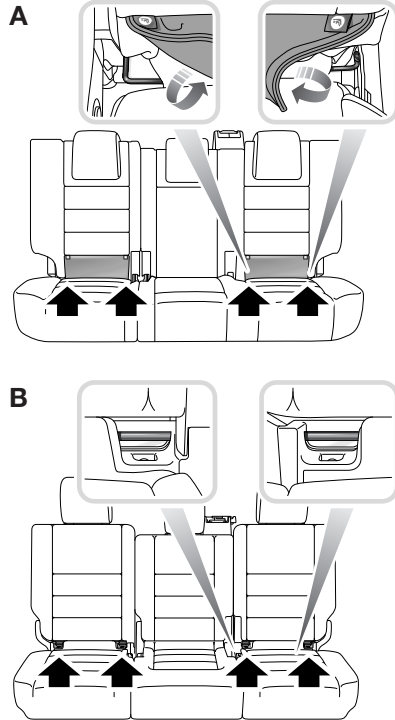


Child restraint anchorages are designed to withstand only those loads imposed by correctly fitted child restraints. Under no circumstances are they to be used for adult seat belts, harnesses or for attaching other items or equipment to the vehicle.



If removing a head restraint in order to fit a child restraint, always secure the head restraint when storing it. If left loose in the vehicle it may cause death or serious injury during sudden braking or an impact.

**Note:** ISOFIX child restraints are only fitted to the second row seats.



E80614

**A.** 5-seat vehicles

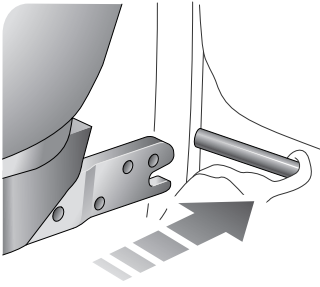
**B.** 7-seat vehicles

Both second row outer seating positions, are equipped to accept ISOFIX restraints.



This symbol is shown on a label sewn into the seats to indicate the position of the ISOFIX lower anchorages.

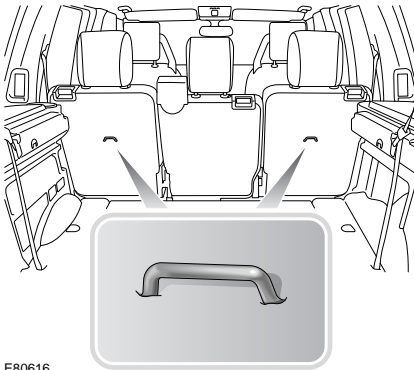
# Child safety



E80615

To install your child seat with an ISOFIX restraint system:

1. Raise or remove the head restraint.
2. Lift the velcro strap, exposing the ISOFIX locking mechanism.
3. Slide the child seat into the locking mechanism.



E80616

Upper tether anchorages are provided at each seating position equipped to accept ISOFIX child restraints (shown in the illustrations).

**Note:** Always ensure that if an upper tether is provided, it is secured and tightened properly, as this provides maximum protection for a child.

Once the ISOFIX child seat is installed, test the security of the installation, before seating a child. Attempt to twist the child seat from side to side and to pull it away from the vehicle seat, then check that the anchors are still securely in place.

## Tether strap anchorages (Australia only)

### WARNINGS



Child restraint anchorages are designed to withstand only those load imposed by correctly fitting child restraints. Under no circumstances are they to be used for adult seat belts, harnesses or for attaching other items or equipment to the vehicle.



Always follow the child seat or restraint system manufacturer's instructions when fitting tether straps.



When fitting a child seat or restraint system, always pass the tether strap over the top of the seat back and beneath the underside of the head restraint.

### Attaching tether straps

1. Install the child restraint securely in one of the rear seating positions.
2. Pass the tether strap over the back of the seat and under the head restraint.
3. Attach the tether strap hook to the tether anchor on the back of the vehicle seat. Ensure that the tether strap hook is facing the correct direction. See illustration.
4. Tighten the tether strap according to the manufacturer's instructions to remove any slack in the webbing.