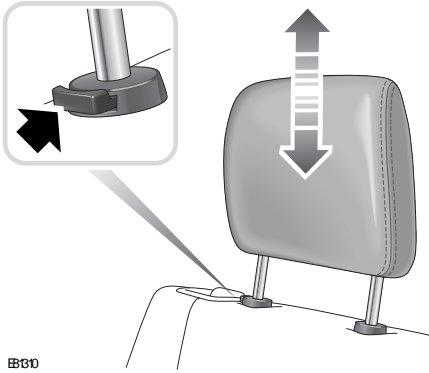


# Seats

## Rear head restraints

### Adjustment



BB3D

1. Press the collar button.
2. Raise or lower the head restraint until the top of the head restraint is level with the top of the passenger's head.


### Removal


If removal is essential, press the collar button whilst lifting the restraint clear of the seat.

To replace the head restraint, engage the guide posts into the collars and press the restraint downwards until a click is heard.

## REAR SEATS

### WARNING

 Always ensure that objects carried within the vehicle are secured properly. Unsecured items can cause death or serious injury in the event of an impact or sudden manoeuvre.

 Never allow passengers to travel in the load space under any circumstances. All vehicle occupants should be seated correctly, and wear a seat belt at all times when the vehicle is in motion. Failure to do so will greatly increase the risk of death and serious injury in the event of an accident or heavy braking.

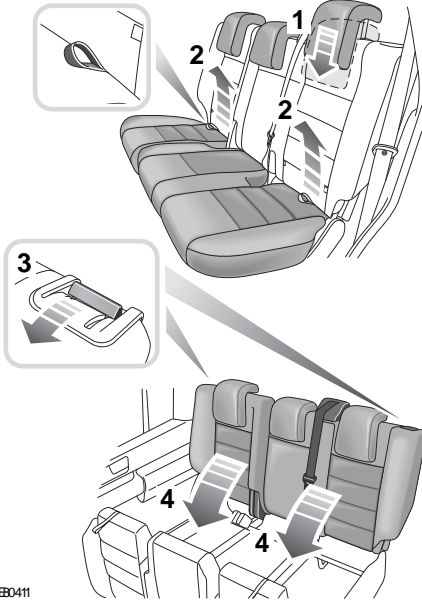
# Seats

## Second-row seats - 5-seat vehicle

**Note:** Some 5-seat models are fitted with the same type of seat as the 7-seat model.

### Folding the seats

One or both parts of the seat can be folded. Move the front seats forward and remove any items from the seats and the rear footwell.



EB0411

1. Fully lower the head restraints.
2. Pull the strap on the required cushion(s), to raise the cushion to the vertical position.
3. Pull the seat backrest release lever(s) forward.
4. Lower the backrest until it locks into place.

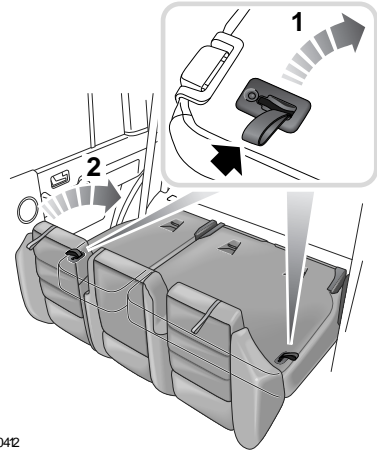
**Note:** Only Land Rover-approved seat covers and accessories should be used on these seats.

## Raising the seats

### WARNING



Ensure that when the seat back is raised the locking mechanism is fully engaged. Failure to do so will greatly increase the risk of death and serious injury in the event of an accident or heavy braking.



EB0412

1. Pull the strap vertically on the back of the seat to unlock the seat. Continue to pull to raise the backrest(s) until they click into position.
2. Push the seat cushion(s) firmly back into position.
3. If the lever has not returned to its locked position, red flags will be visible around the lever.
4. Pull the headrest up into the correct position.

# Seats

## Second row seats - 7-seat vehicle

The seats can be used in a variety of configurations:

- As a standard row of three seats.
- A backrest can be folded forwards to form a table.
- One or all seats can be folded flat.
- An outer seat can be folded forwards for access to the third row of seats.

If the front seats are in their rearmost position, move them forward prior to folding down the seats.

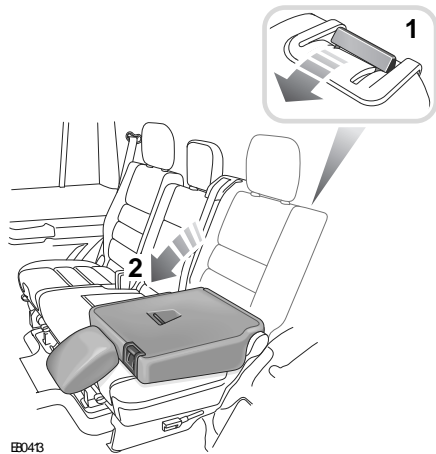
## Table fold position

### WARNING



The latching mechanism should be checked and physically tested to ensure that both the cushion and backrest are secure before driving.

Remove any items from the seats and rear footwell. Fully lower the head restraint on the seat(s) to be folded.



1. Pull the backrest release lever forwards.
2. Lower the backrest forwards into the table-fold position.

**Note:** Only Land Rover-approved seat covers and accessories should be used on these seats.

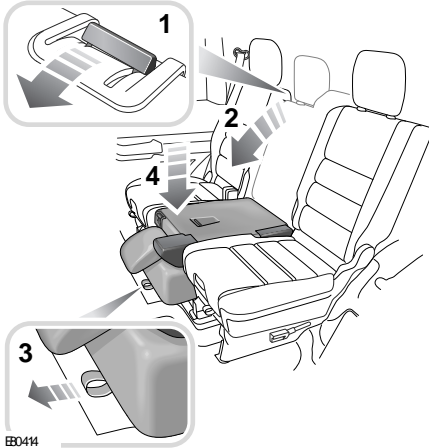
To return the seat-back to its upright position, push the release lever forwards and pull the backrest up until it clicks into place.

If it has not returned to its locked position, red flags will be visible around the lever.

Pull the head restraint up to its correct position.

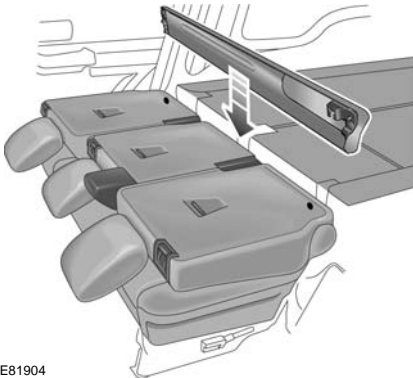
# Seats

## Extending the loadspace



1. Pull the backrest release lever forwards.
2. Lower the backrest forwards into the table-fold position.
3. Pull the strap at the front of the seat.
4. Press down on the seat.

**Note:** The centre seat must always be folded first.

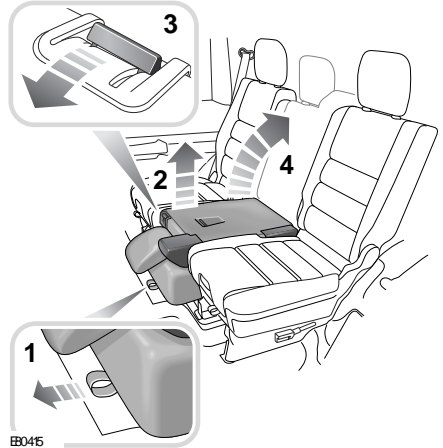


Remove the luggage cover and stow it between the folded seat rows.

## Raising the seat

### CAUTION

**!** Do not attempt to raise the seats from the loadspace position while the loadspace cover unit is stowed behind it, as damage will result.



1. To raise the seat, pull the strap at the front of the cushion.
2. Grasp the top and bottom of the backrest, lift the seat and return it to the table-fold position.
3. Push the release lever forward.
4. Pull the backrest up and push until the latching mechanism clicks into place. If the lever has not returned to its locked position, red flags will be visible around the lever.

**Note:** If a combination of backrests, including the centre backrest, is to be erected, the centre backrest should be erected last.

# Seats

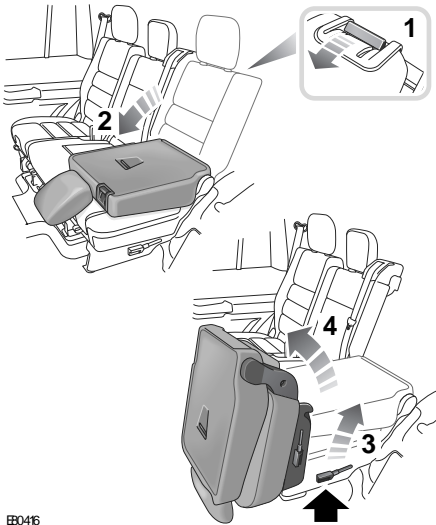
## Access position

### WARNING



The outer seat(s) must not be left in the access position while the vehicle is being driven. Motion of the vehicle could cause the seat to drop back into its table-fold position.

To enter the third-row seats, first ensure that the head restraint on the second-row seat is fully lowered.



EB0416

1. Pull the backrest release lever forwards.
2. Lower the backrest forwards into the table-fold position.
3. Pull the access lever on the side of the seat.
4. Tilt the seat forwards.

When you have gained access to the third-row seat, return the second-row seat to its fully upright position.

**Note:** A second-row seat cannot be moved from the loadspace position, to the access position. Return the seat to the table-fold position before attempting to move it to the access position.

## Raising the seat

### WARNINGS



When lowering the seats from the access position, ensure that nothing is trapped by the returning seat.



The latching mechanism should be checked and physically tested to ensure that the cushion and backrest are secure before driving.

Pull the seat down into the table-fold position and the access lever will click into place.

Check around the lever, a red flag will be visible behind the lever if the backrest is not correctly located.

## Third-row seats

### WARNINGS



Ensure that nothing has been left under the seat or in the footwell when folding down the seat as this could cause damage.



Beware of trapping your fingers when operating the seats.

### CAUTION

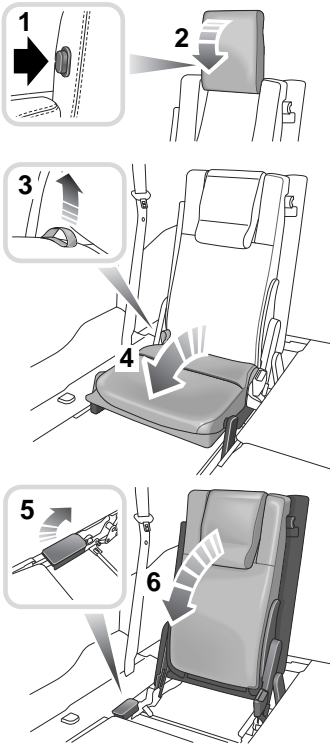


Do not attempt to raise the seats from the loadspace position while the loadspace cover is in its floor level stowage position as this may damage either the cover or the seats.

Third row seats can be folded flat.

# Seats

## Folding the seat



EB0417

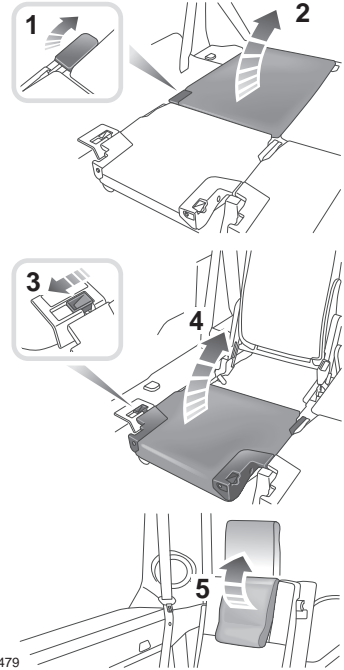
1. Press the head restraint release button.
2. Fold the head restraint fully downwards.
3. Pull up the release strap at the rear corner of the cushion; this lifts under spring pressure.
4. Fold the cushion fully forwards until it latches into position.
5. Pull up the backrest release lever.
6. Fold the backrest fully forwards until it latches into position in the loadspace floor.

## Raising the seat

### WARNINGS



The head restraint must always be raised when using the third-row seat.



LAN2479

1. Pull lever to release backrest.
2. Raise the backrest into its upright position, ensuring that it is fully latched into place.
3. Release catch and raise cushion.
4. Push the cushion into place, ensuring that the cushion is latched to the backrest.
5. Raise the head restraint until it latches into position.

**Note:** When not in use, fold the head restraints to improve rear vision.