

Windows and mirrors

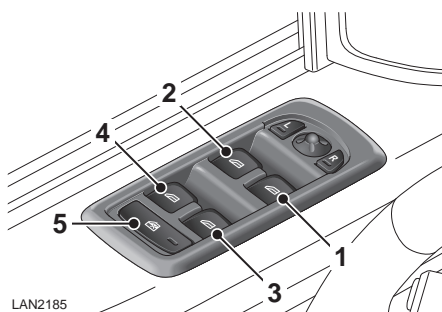
ELECTRIC WINDOWS

WARNING



The windows have an anti-trap protection system. However, before closing a window care must be taken to ensure that none of the occupants have any part of their body in a position where it could be trapped. Even with an anti-trap system death or serious injury can occur.

Operating the windows



1. Right-hand front window
2. Left-hand front window
3. Right-hand rear window
4. Left-hand rear window
5. Rear window isolation switch

With the ignition on or engine running, press the front of the respective switch to lower the window. Pull the front of the switch up to raise the window. Release the switch at any point to stop window movement.

The windows will operate for five minutes after the ignition is switched off, as long as none of the doors are opened.

One touch operation

WARNING



Ensure you take the Smart Key with you when leaving occupants in the vehicle. This will prevent accidental operation of the windows, which may result in injury.

All the windows can be fully opened or closed with a single press of the switch. Firmly press or lift (and then release) the front of the switch, to open or close the window. Window movement can be stopped by pressing the switch again.

Anti-trap protection

The windows have anti-trap sensors that will stop window movement if an obstruction or resistance is detected during closure. If an obstruction is detected, the window will stop and then lower. Check the window and its aperture and remove any obstructions, ice, etc.

If it is still necessary to raise the window, the anti-trap protection can be overridden by attempting to close the window at intervals of less than 10 seconds. On the third attempt the window will move up with increased force to try and move the obstruction.

Note: If the obstruction cannot be overcome, one touch operation will be disabled.

Resetting one touch operation

If the battery is disconnected, becomes discharged or the power supply is interrupted, the one touch up window operation is disabled until the window position is reset.

To reset the window position:

1. Close the window fully
2. Release the switch, then pull up and hold the switch for one second.
3. Repeat the procedure on each window.