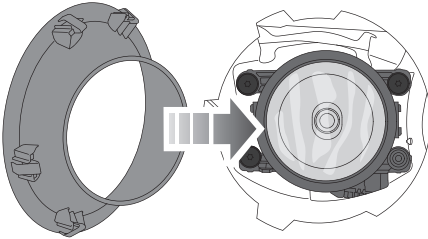


Lighting

Refitting the fog lamp

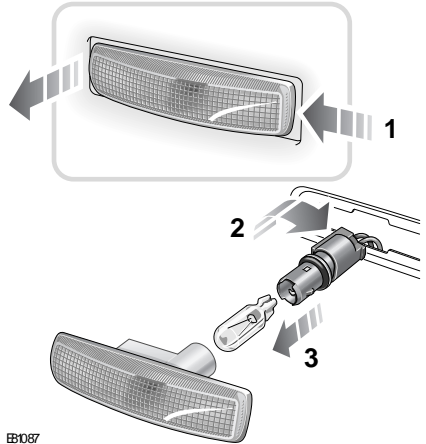


LAN2434

1. Align fog lamp to front bumper and secure with screws.
2. Align the spring clip above the finger slot with the upper receiver shape in the bumper and push into place.
3. Push the lower part of fog lamp surround into place, applying some upward pressure.

Note: The fog lamp surround is uniquely shaped and will only fit in one position.

SIDE REPEATER LAMP BULB



Follow the steps illustrated. Insert a new bulb and refit the components.