

Towing

TOW BALL STOWAGE

WARNING

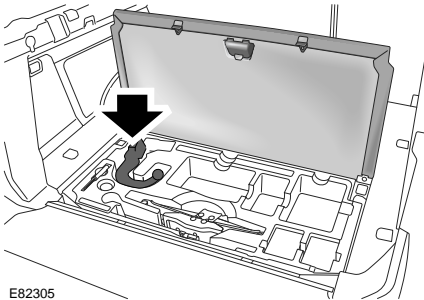


The tow ball is heavy, care must be taken when handling it. When handling the tow ball, hold the bottom of the component. Locking into position occurs automatically and causes the locking lever to rotate under spring pressure.

Your vehicle is fitted with a towing housing which will accept a detachable tow ball. The following illustrations show a UK and Rest of the World tow ball.

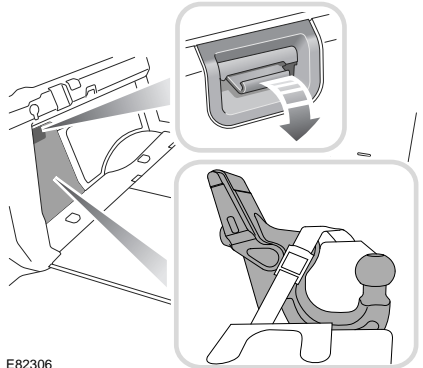
Note: An Australian tow ball is visually different, but is stowed in the same place.

5-seat models



E82305

7-seat models



E82306

The tow ball is stowed under an access cover in the loadspace floor (5-seat models) or behind an access cover on the left-hand side of the loadspace (7-seat models).