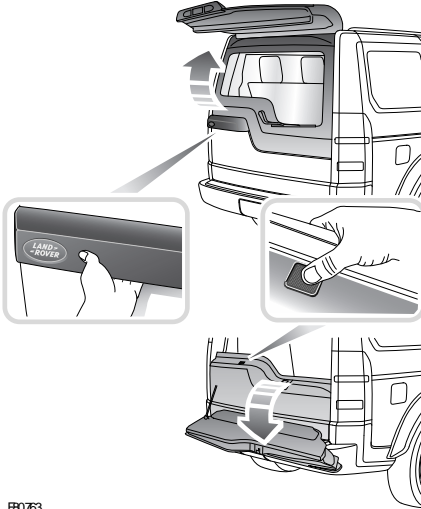


Locks

Opening the tailgate



BB0783

Upper tailgate

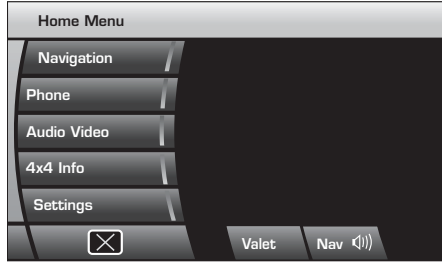
Unlock the vehicle and press the touch pad on the underside of the exterior handle and then pull up.

Lower tailgate

With the upper tailgate open, press the touch pad on the lower tailgate waist moulding.

VALET MODE

Dependent upon specification, your vehicle may have a valet mode parking feature. Once activated, valet mode allows the vehicle to be driven by a parking attendant, but prevents access to the luggage compartment and use of the touch-screen.



LAN2349

Valet mode can be selected by touching the **Valet** icon on the touch screen **Home Menu**. See **VEHICLE SETTINGS** (page 291).