

Lighting

HEADLAMP UNIT BULBS

WARNING

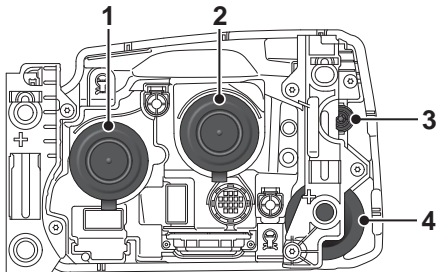
Do not attempt to change any bulb with the lighting switched on. If the lighting has just been switched off, give the bulbs time to cool down. Handling them in a hot condition may cause personal injury.

Note: The side lamps within Xenon headlamp units are LED and are non-serviceable.

Bulb access

To change a bulb within the headlamp unit it is necessary to completely remove the unit from the vehicle. See **REMOVING A HEADLAMP** (page 83).

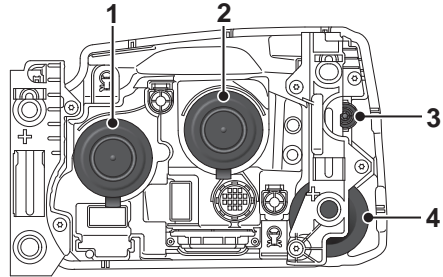
Xenon headlamp



LAN2426

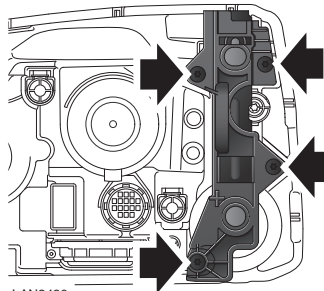
1. Halogen - High beam fill in.
2. Xenon - High and low beam.
3. Direction indicator
4. Static bending/cornering lamp

Halogen headlamp



LAN2426

1. Halogen - High beam
2. Halogen - Low beam
3. Direction indicator
4. Side lamp



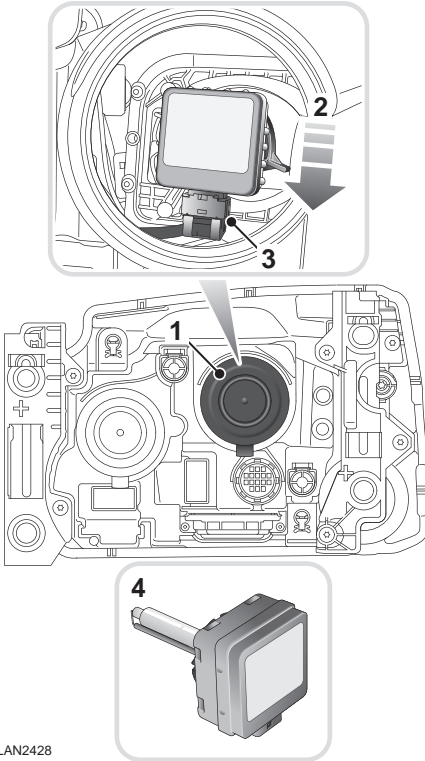
LAN2430

To access the direction indicator, static bending lamp and side lamp, the headlamp unit locking slide assembly must be completely removed from the unit.

To remove the slide assembly, remove the four screws (arrowed). When refitting the slide assembly, do not overtighten the screws.

Lighting

Headlamp bulb (Xenon)



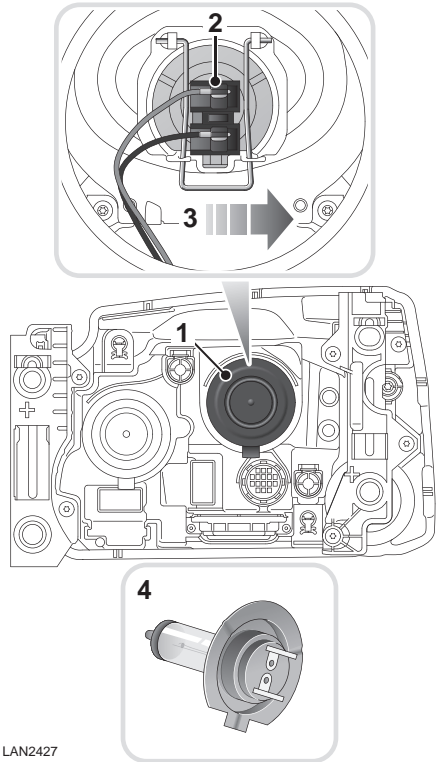
LAN2428

1. Twist and lift off the domed cap.
2. Rotate the collar securing the bulb to lamp and release the bulb.
3. Pull off the electrical connection.
4. Remove bulb.
5. Insert the new bulb and reverse the above procedure. Ensure that the lugs on the cap are in contact with the bulb base.

Headlamp bulb (Halogen) - low beam

CAUTION

! Take care not to touch this type of bulb with your fingers; always use a cloth to handle them. If necessary, clean the bulb with methylated spirits to remove fingerprints.



LAN2427

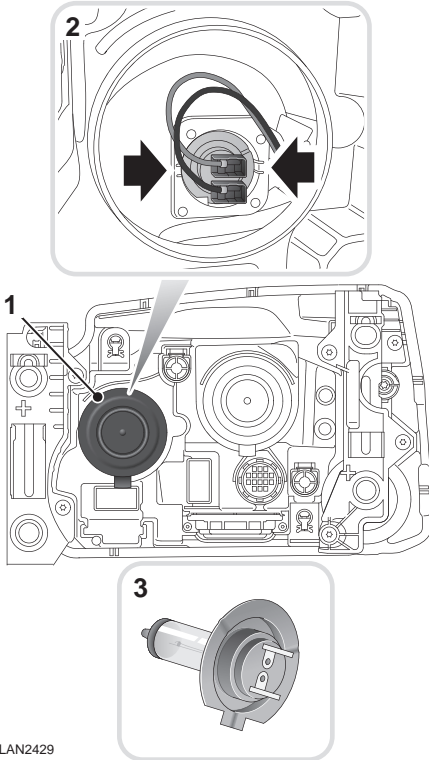
1. Twist and lift off the domed cap.
2. Pull off the electrical connector.
3. Release the spring clip securing bulb to lamp.
4. Remove bulb.
5. Insert the new bulb and repeat the above procedure in reverse order.

Lighting

Headlamp bulb (Halogen) - high beam

CAUTION

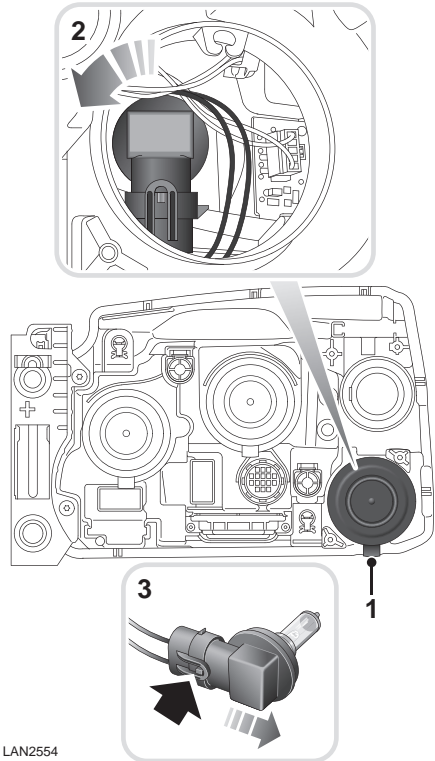
! Take care not to touch this type of bulb with your fingers; always use a cloth to handle them. If necessary, clean the bulb with methylated spirits to remove fingerprints.



LAN2429

1. Twist and lift off the domed cap.
2. Pull off the electrical connector.
3. Release bulb from retaining tags and remove bulb.
4. Insert the new bulb and reverse the above procedure.

Static bending bulb

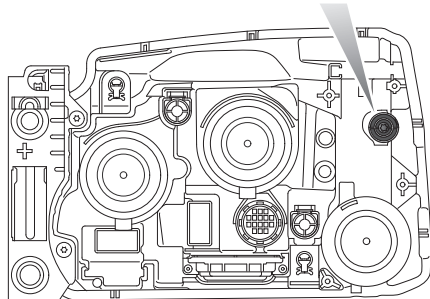
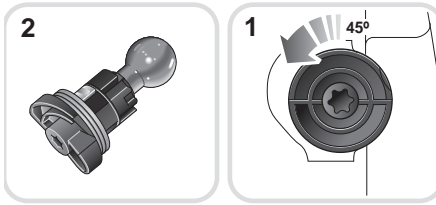


LAN2554

1. Twist and lift off the domed cap.
2. Rotate bulb and release from lamp.
3. To remove the bulb, lift the catch and disconnect the electrical connector.
4. Insert the new bulb and reverse the above procedure.

Lighting

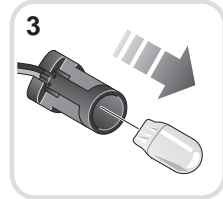
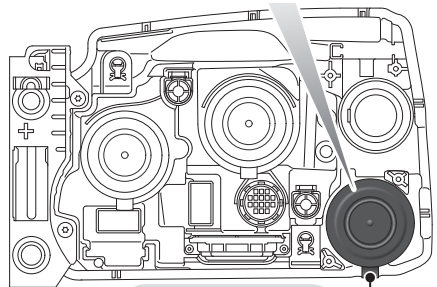
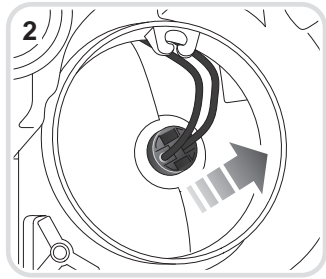
Direction indicator bulb



LAN2448

1. Rotate the bulb holder 45 degrees counterclockwise.
2. Remove the bulb assembly from lamp.
3. Replace the bulb assembly and reverse the above procedure.

Side lamp bulb



LAN2555

1. Twist and lift off the domed cap.
2. Depress the two tags and pull bulb holder from lamp.
3. Pull bulb from holder.
4. Insert the new bulb and reverse the above procedure.