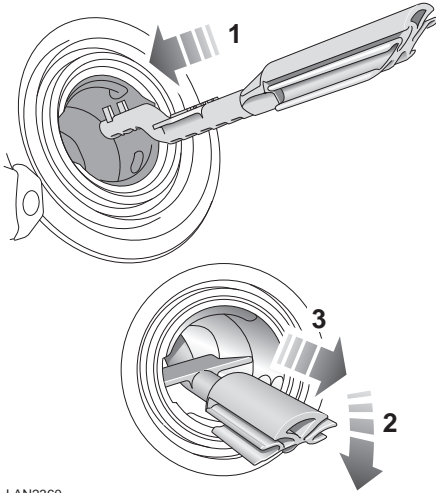


Fuel and refuelling

Resetting the misfuel protection device



LAN2360

Reset the misfuel protection device as follows:

1. Insert the reset tool (with the teeth uppermost) into the filler neck opening, as far as it will go. The triangular section on the reset tool stops on the misfuel protection device at the required insertion depth.
2. Pivot the reset tool handle downwards to engage the teeth into the protection device.
3. Keeping the reset tool handle held down, slowly pull the reset tool out of the filler neck to reset the protection device.

Note: To ensure that the protection device is correctly reset, check that the yellow misfuel protector is no longer visible in the filler neck before refuelling with diesel fuel.

After resetting the misfuel protection device, remove the tool from the filler neck and return it to the luggage compartment. If subsequent driveability difficulties are encountered, seek assistance from a Land Rover Dealer/ Authorised Repairer.

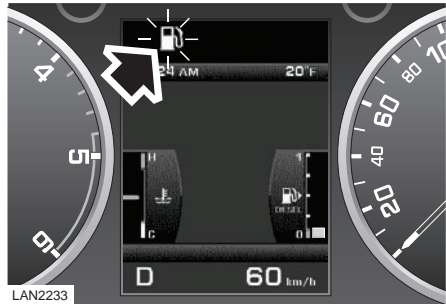
RUNNING OUT OF FUEL

CAUTION

⚠ Avoid running out of fuel. Doing so can cause damage to the engine, fuel and emission control systems.

Note: If the vehicle does run out of fuel, seeking qualified assistance is advisable.

Note: If the vehicle runs out of fuel it will be necessary to add a minimum of 4 litres (0.8 gallons) of fuel in order to restart the engine. In some circumstances it will be necessary to drive a short distance, typically 1.6 - 5 km (1 - 3 miles) in order for the vehicles monitoring systems to register the additional fuel.



LAN2233

When the remaining fuel reaches a minimum of 12 litres (three gallons), the amber low fuel warning indicator illuminates. The remaining fuel should give a range of approximately 80 km (50 miles).