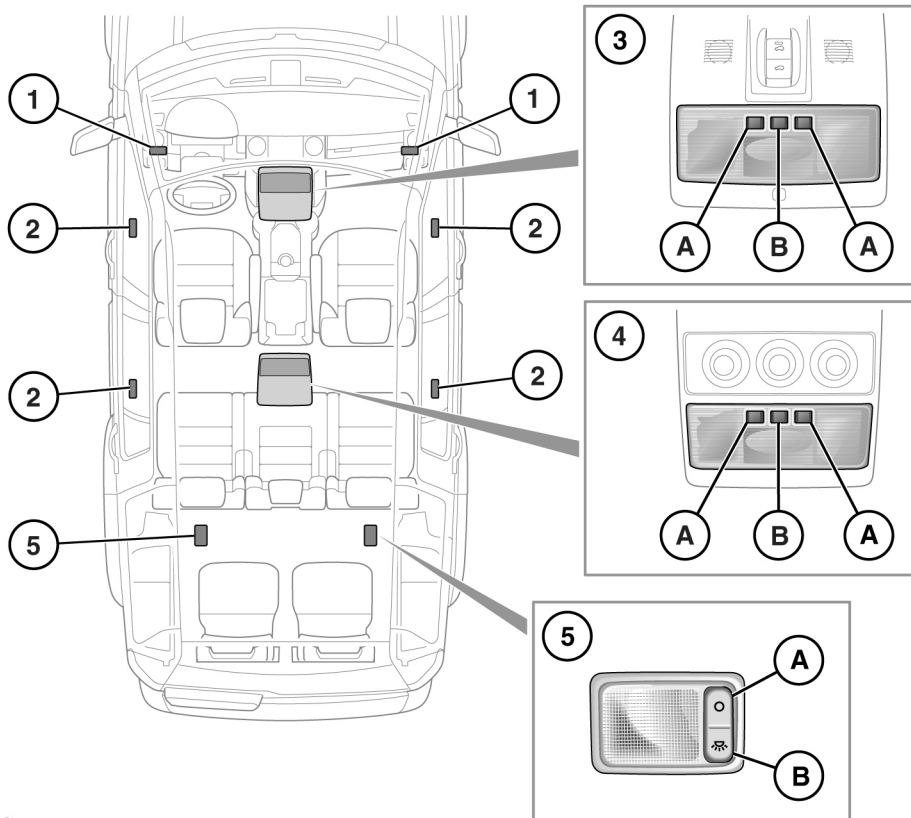


INTERIOR LAMPS



SL1061

1. Sun visor lamps:
Switch on or off as required using the switch.
2. Puddle lamps:
Automatically illuminate when the doors are opened.

3. Map reading/interior lamps:

- A. Map light controls (on/off).
- B. Main interior lamp control (on/off/Auto).

To activate or deactivate Auto mode, press and hold for longer than 3 seconds. In Auto mode the lamps will illuminate when a door is opened.

4. Rear interior light control:
 - A. Map light controls (on/off).
 - B. Main interior lamp control (on/off/Auto).

To activate or deactivate Auto mode, press and hold for longer than 3 seconds. In Auto mode the lamps will illuminate when a door is opened.
5. Third row seating/loadspace interior lamps:
 - A. Press to turn off.
 - B. Press to turn on.