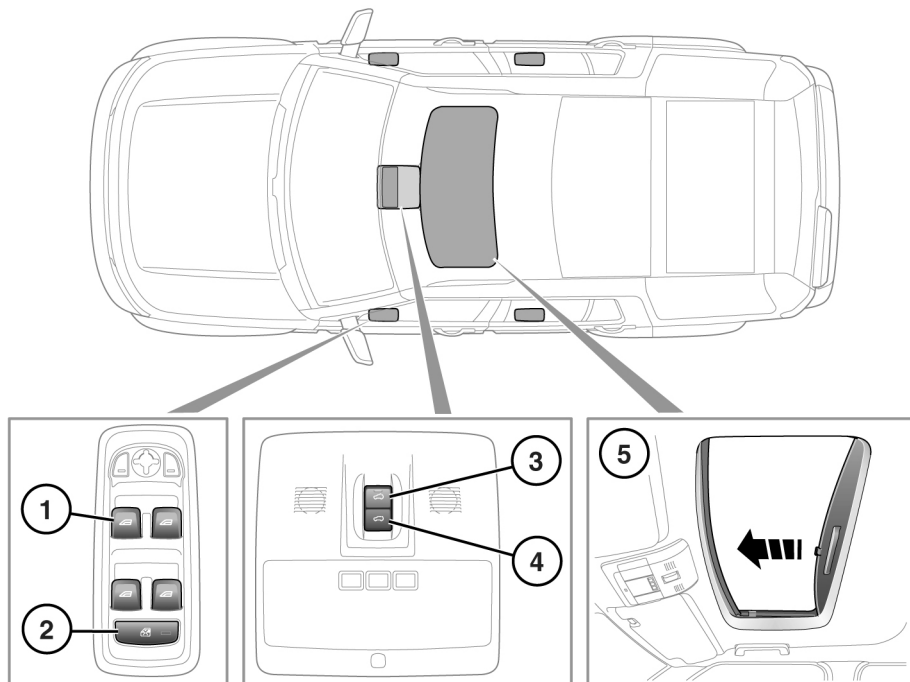


## ELECTRIC WINDOWS



SL1064

## 1. Window switches:

The windows will operate for 5 minutes after the engine is switched off, as long as none of the doors are opened.

## 2. Rear window isolator button.



**If children are carried in the rear seats, the isolator switch should be used to prevent operation of the windows. If the windows are operated by young children there is a risk of serious injury or death.**

## 3. Sunroof close/tilt switch:



Wherever possible remove any snow, ice, dirt, and leaves etc. from the sunroof mechanism before closing. Failure to do so may damage the sunroof mechanism.

- With the roof closed, briefly press to tilt the sunroof open.
- With the roof fully open, briefly press to close the roof.

Press the button again to stop movement.

4. Sunroof open/close switch:
- With the roof closed, briefly press to fully open. Press again to stop movement.
  - With the roof tilted open, press and hold to close the roof. Releasing the switch will stop roof movement.

The sunroof will operate for 30 seconds after the ignition is turned off, provided that a front door is not opened.

5. Sun blind:
- To open, push upwards on the textured part of the handle. Then, slide the blind into the panel between the sunroof and the headlining.
  - To close the sun blind, pull across the aperture until it locks in place.

## ONE-TOUCH OPERATION

All four windows have one-touch operation. Briefly pull the switch up fully and release, the window will continue to raise until fully closed. Briefly press the switch down fully and release, the window will continue to lower until fully open. Pressing or pulling the switch again will stop the window.

## ANTI-TRAP PROTECTION



**The anti-trap mechanism does not operate when closing the sunroof from the tilted position. The sunroof can cause serious injury should a body part become trapped. Always ensure that the sunroof is free from obstructions before closing.**



**Before closing a window or the sunroof, ensure that no occupants have any part of their body in a position where it could be trapped. Even with an anti-trap system death or serious injury could occur.**

Anti-trap protection will stop window or sunroof movement if an obstruction or resistance is detected. Check the window or sunroof and its aperture and remove any obstructions (e.g. ice, etc.).

If it is still necessary to raise the window or close the sunroof, the override procedure is as follows:

1. Attempt to close the window/sunroof, anti-trap will prevent closure and lower the window/open the sunroof slightly.
2. Within ten seconds attempt to raise the window/close the sunroof again, anti-trap will prevent closure and lower the window/open the sunroof slightly.
3. Attempt to close the window/sunroof for a third time, this time hold the switch in the close position. Hold until closed.

**Note:** *If this procedure fails to remove the blockage, the window operation may need to be reset. See 195, WINDOW RESET.*

**Note:** *The sunroof anti-trap mechanism works differently and does not require reset if activated. See 195, SUNROOF RESET.*