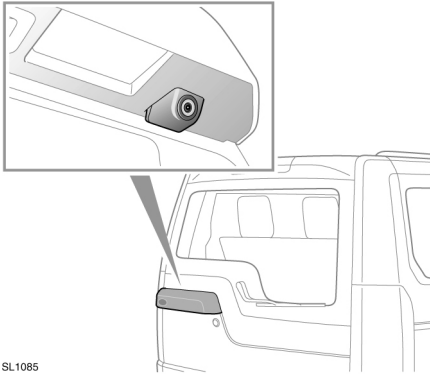


REAR VIEW CAMERA SYSTEM



It remains the driver's responsibility to detect obstacles and estimate the vehicle's distance from them when reversing.



SL1085

When reverse gear is selected, the screen automatically displays a wide angle, colour image from the rear of your vehicle.

The rear view camera system provides a rear view image to assist in reversing the vehicle. Overlaid on the image are reversing guidelines.

Note: A return icon is displayed in the bottom right hand corner of the touch screen. Touch this to revert to the previously viewed screen.

Rear view camera display on the touch screen will discontinue when either of the following apply:

- Drive is selected for longer than 15 seconds.
- Drive is selected and/or vehicle speed is greater than 11 mph (18 km/h).

SURROUND CAMERA SYSTEM

The camera home page is accessed by touching **Camera** on the Home menu screen.

With the engine running and Park or Neutral selected, the surround camera system uses 5 discretely placed cameras to assist in manoeuvring the vehicle.

SELECTING VIEWS

Displayed on the Camera home page is a real-time image from each of the cameras. Any 2 images can be selected and enlarged to view side-by-side on the screen. To do this, touch the image then touch the **Enlarge** soft key.

When viewing two images, one of them can be selected to view as a full screen image. It can then be zoomed into and panned around using the magnifier and arrow icons.

AUTOMATIC PROXIMITY VIEW - JAPAN ONLY

When Drive or Reverse is selected, the forward or rear view will be displayed. Once the vehicle speed exceeds 18 km/h (11 mph) or the return icon is pressed, the camera screen will disappear.

Note: Proximity view can be accessed at any time, by touching **Proximity View** on the Camera home page.

PROXIMITY VIEW - MANUAL OPERATION

Selecting **Proximity View** will display a combination of three images from the front and passenger side cameras.

SPECIAL VIEWS

A selection of pre-set views can be displayed by selecting **Special Views**. They are provided to assist with difficult manoeuvres and are:

- **Kerb view:** Shows views from the 2 front cameras.
- **Junction view:** Shows views from the two side cameras.
- **Trailer view:** Shows the rear camera view.

REVERSING

When Reverse is selected, the touch screen automatically displays the view to the rear of the vehicle.

Overlaid on the rear view image are coloured dashed lines representing the perimeter of the vehicle, solid lines predicting the path of the vehicle (based on the position of the steering wheel) and the distance information from the Parking aid system.

Note: Touch the return icon in the bottom right hand corner of the reversing view, to go back to the previously viewed screen.

CAMERA SETTINGS - JAPAN ONLY

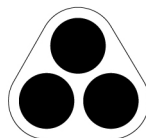
Touch the **Camera Settings** soft key to access the camera options page. To deactivate the Semi-auto camera functionality select **Off**. The Proximity view is now only accessible by using the **Proximity View** soft key.

CAMERA CLEANLINESS

If the colour of the camera position arrow in the display changes from blue to red, the system has detected that the camera is dirty. Clean the camera in accordance with the guidelines given on **196, CLEANING THE EXTERIOR**.

TRAILER GUIDANCE

Note: Trailer guidance requires a connected trailer to be fitted with a tracking target sticker, which **must** be attached according to specific instructions. Ask your Dealer for details.



SL1315

Note: This feature may not operate with all trailer designs.

Trailer guidance aids trailer reversing, by displaying information on the touch screen.

Trailer guidance becomes active when a trailer is attached to the vehicle and the trailer electrical plug is attached to the vehicle socket. The screen will display a choice for connection. Select **YES** to move to the setup screen. Select **NO** to return to the previous screen.

Note: If the connection is not detected, setup can be manually prompted by touching the Trailer guidance icon on the Camera menu.

TRAILER SETUP

On first use, the setup screens take the user through a series of configuration options for the connected trailer. Information such as trailer length, number of axles and camera preference is required to finalise setup. Once complete, the details are stored for future use.

OPERATION

When a new or existing trailer configuration is selected, Trailer guidance will automatically display on the touch screen when reverse gear is selected. Coloured lines are displayed to indicate the predicted path of both trailer and vehicle.