

## LABEL LOCATIONS



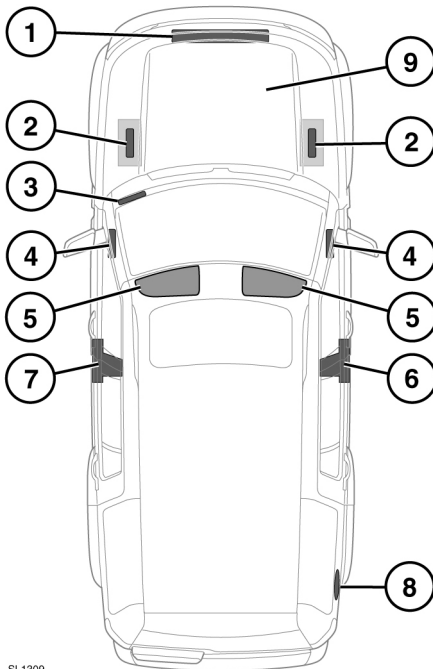
Warning labels attached to your vehicle bearing this symbol mean: Do not touch or adjust components until you have read the relevant

instructions in the handbook.



Labels showing this symbol indicate that the ignition system utilises very high voltages. Do not touch any ignition components while the starter

switch is turned on.



SL1309

1. Bonnet locking platform - Air conditioning label
2. Top of battery - Battery warning symbols
3. The VIN is stamped on a plate which is visible through the lowest part of the left side of the windscreen.

**Note:** If you need to communicate with a Dealer/Authorised Repairer, you may be asked to quote the VIN number.

4. End of fascia (passenger side) - Passenger airbag label.
5. Sun visor - Airbag label, vehicle handling label.
6. Base of right-hand B pillar - Tyre pressure label, airbag warning label.  
Right-hand B pillar - Vehicle Identification Number plate (China).
7. Left-hand B pillar - Airbag warning label, Vehicle Identification Number plate.
8. Inside fuel filler flap - Fuel label.
9. Engine number: Located on the right side of the engine block or camshaft cover.

It is important that you are familiar with these subjects to ensure that your vehicle and its features are used safely.

## VEHICLE IDENTIFICATION NUMBER (VIN)

The VIN is a unique number which identifies your vehicle. Unlike the vehicle registration number it cannot be transferred, and remains with your vehicle for the life of the car.

## VEHICLE BUILD DATE PLATE (Australia only)

This is the calendar month and year in which the body and power train assemblies were conjoined and the vehicle was driven from the production line.

The vehicle built date is shown on a the tyre pressure label attached to the right-hand B pillar.