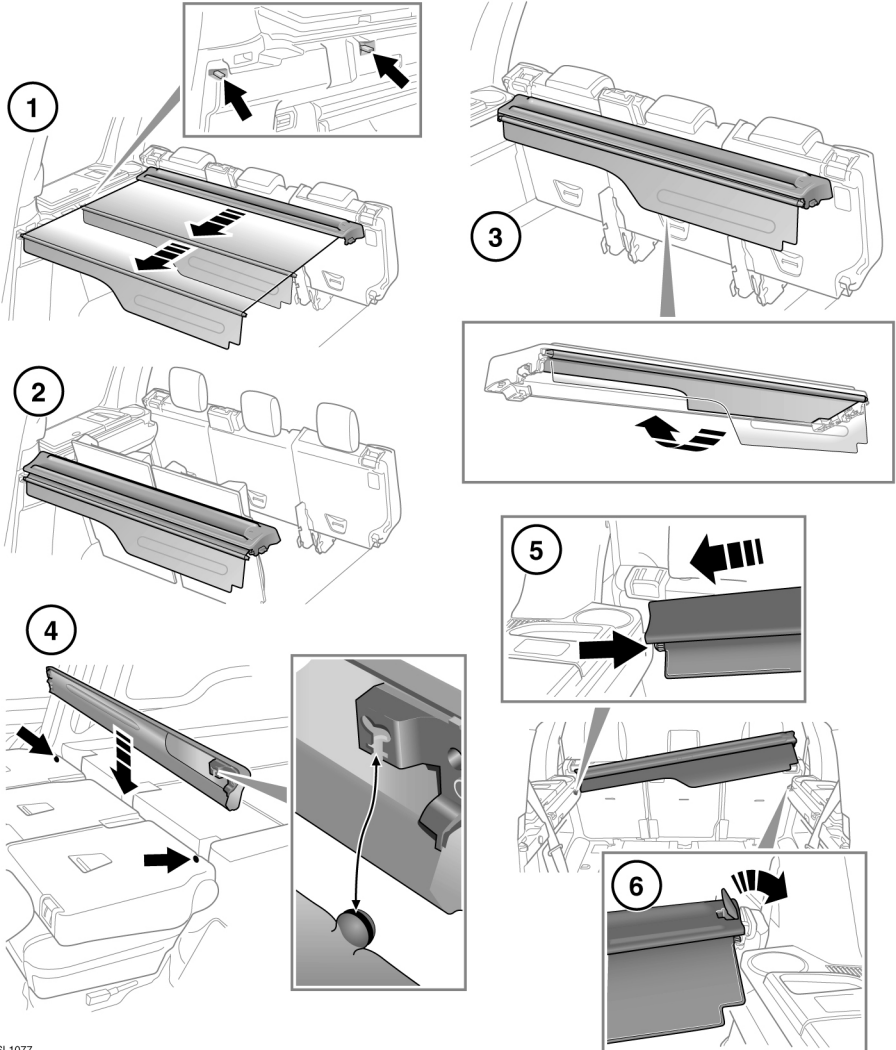


LOADSPACE COVER



SL1077



Never place objects on top of the luggage cover. During an accident or sudden manoeuvre, loose objects can cause serious injury or death.

1. Pull the rigid portion of the cover to unroll. Engage the end pieces into the recessed features moulded into the loadspace sides.

2. The luggage cover can be fitted in two positions. The foremost fitting is close behind the second row of seats; the rearmost is behind where the third row of seats are/would be fitted
3. To retract the load cover, disengage the ends from the recessed areas and allow the soft portion of the cover to retract into its housing. Fold the rigid portion back under the unit and press to clip in place.
4. In the 7 seat vehicle only, the luggage cover may be stowed behind the second row seats when not in use. See **18, FOLDING THE SEATS- 7 SEAT VEHICLE** for more details of loadspace cover stowage.

In 5 seat vehicles the cover must be removed from the vehicle altogether if not in use.

5. To remove the loadspace cover, first pull up the paddle at the right hand end of the cover.
6. Lift the right hand end of the unit and pull away from the left hand side.

Note: It is easier to remove/refit the luggage cover if the second row seat backs have been tipped forward.

Note: Installation of the loadspace cover is the reverse of removal.

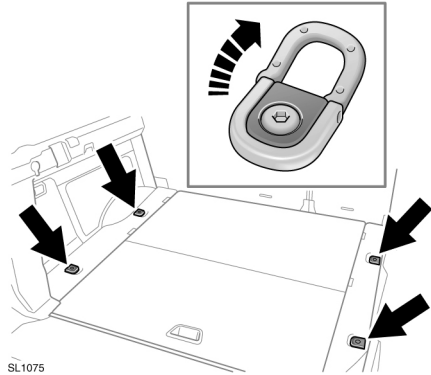


When fitting the luggage cover in position, ensure that the paddle returns to the flush (horizontal) position. Failure to do so may allow the luggage cover to move during an accident or sudden manoeuvre.



Do not store the loadspace cover loose in the vehicle.

LUGGAGE ANCHOR POINTS



SL1075

To assist in safely securing large items of luggage, four fixing points are located in the rear loadspace floor.



All items carried in the luggage area should be properly secured.

Note: A range of approved luggage retention accessories are available from your Land Rover Dealer/Authorised Repairer.