



ABOVE & BEYOND

RANGE ROVER EVOQUE

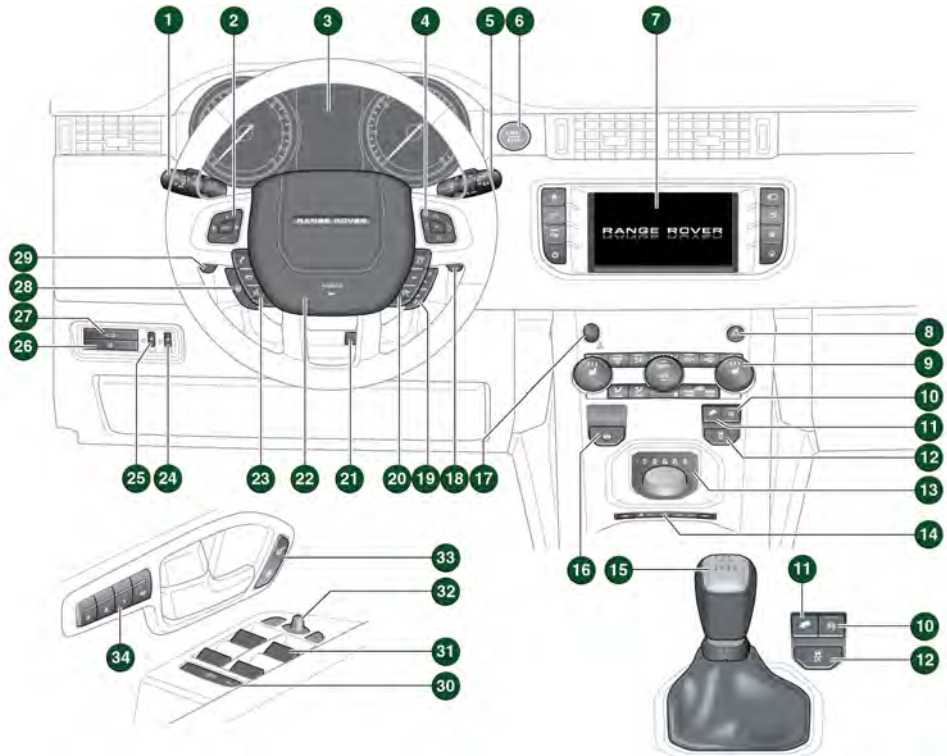
QUICK START GUIDE

- 2 DRIVER CONTROLS
- 3 VEHICLE ACCESS
- 4 COMFORT ADJUSTMENTS
- 6 DRIVING
- 11 TOUCH SCREEN
- 12 MEDIA
- 14 NAVIGATION
- 15 PHONE
- 16 FILLING STATION INFORMATION



SOME FEATURES MAY NOT BE FITTED TO YOUR VEHICLE.

DRIVER CONTROLS



1. Headlamps, direction indicators and Trip computer.
2. Media system control.
3. Instrument panel, warning lamps and Message centre.
4. Settings menu control.
5. Wipers and washers.
6. Engine START/STOP.
7. Touch screen.
8. Hazard warning lamps.
9. Climate control.
10. Intelligent stop/start.
11. Hill Descent Control (HDC).
12. Dynamic Stability Control (DSC).
13. Gear selector.
14. Terrain response.
15. Manual transmission gear lever.
16. Electric Parking Brake (EPB).
17. Media on/off and volume control.
18. Manual gear shift paddle (+) up.
19. Cruise control cancel or Adaptive Cruise Control (ACC) switches.
20. Cruise control or Adaptive Cruise Control (ACC) switches.
21. Steering column adjuster.
22. Horn.
23. Phone and voice recognition controls.
24. Headlamp levelling control.
25. Interior illumination control.
26. Lane Departure Warning (LDW) button.
27. Tailgate release.
28. Heated steering wheel switch.
29. Manual gear shift paddle (-) down.
30. Central locking switches.
31. Mirror adjuster/power-fold mirror.
32. Window controls.
33. Rear windows isolation.
34. Driving position memory.

VEHICLE ACCESS

SMART KEY



Press once to switch the headlamps on. Press again to switch off.



Press to unlock and release the tailgate. A powered tailgate will open to the set height.



Press and hold for 3 seconds to activate the panic alarm. After 5 seconds, press again for 3 seconds to cancel.

Unlocking mode alternatives



Single-point entry: Press once to disarm the alarm and unlock only the driver's door. If a locking fuel filler flap is fitted, it will unlock. Press twice to unlock all of the doors and the tailgate.

Multi-point entry: Press once to unlock all of the doors and the tailgate. If a locking fuel filler flap is fitted, it will unlock.

To change between entry modes, with the vehicle unlocked, press and hold the lock and unlock buttons simultaneously for 3 seconds. The hazard warning lamps flash to confirm the change.

Keyless entry/exit

The Smart key needs only to be on the driver's person while using a door handle. It does not need to be exposed or handled.

Operating note

The Smart key may not be detected if placed in a metallic container, or behind a device with an LCD screen such as a smartphone, laptop (including when inside a laptop bag), etc. Loose coins in the same pocket as the Smart key can also act as a shield. Keep the Smart key clear of such devices when attempting Keyless entry or Keyless starting.

Emergency key release

If the Smart key fails to open the vehicle, the emergency keyblade can be used. Slide the side section up, then pull sideways to remove. Remove the keyblade and unfold it. Use the blade to gently lever off the appropriate door lock cover. The cover has a key symbol embossed into it.

Insert the key into the exposed lock, then turn and release it to unlock.



If the security system was previously armed with the Smart key, when the door is unlocked, the alarm sounds. To disarm the alarm, press the unlock button on the Smart key, or press the **START/STOP** button with the Smart key inside the vehicle.

Smart key not found



If, after closing all of the doors, the Smart key is not detected by the vehicle, **Smart Key Not Recognised - Place As Shown And Press Start Button** is displayed in the Message centre. With the brake pedal (automatic transmission), or clutch pedal (manual transmission), firmly pressed, press and release the **START/STOP** button. The Smart key can now be removed.

POWERED AND MANUAL TAILGATES *See page 2, item 27.*

To open the tailgate

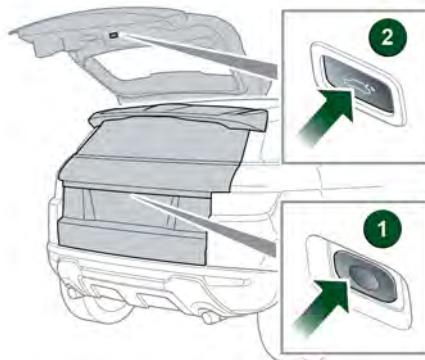
1. With transmission **P** selected, press to release the tailgate. A powered tailgate will continue to open to the set height. Alternatively, use the Smart key or press the internal release switch.

To close the powered tailgate

2. Press and release to close the tailgate.

Operating note

When the tailgate closes onto the locking latch, it will continue to 'soft close' to the fully closed position.



COMFORT ADJUSTMENTS

ELECTRIC SEAT ADJUSTMENT *See page 2, item 34.*

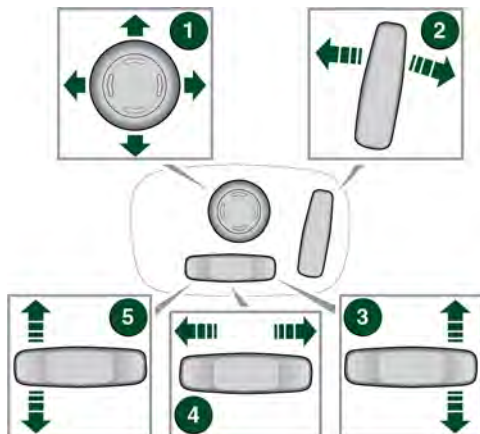
The driver's seat can be adjusted in up to 10 directions. The controls are located on the outer edge of the seat.

1. Lumbar support.
2. Height adjustment.
3. Seatback adjustment.
4. Forwards and backwards adjustment.
5. Cushion angle tilt.

Memory seats

Positions for the driver's seat and exterior mirrors, can be stored in the vehicle's memory for future use. Up to 3 sets of seat and mirror positions can be saved at any one time.

1. When the required positions have been achieved, press the **M** button on the driver's door.
2. Within 5 seconds, press buttons **1**, **2** or **3** to store the current driving position to the chosen number. Any existing setting on that button is over-written.
3. A stored memory position can now be recalled with a press of the appropriate button; **1**, **2** or **3**. The seat and mirrors move to their preset positions.



Operating note

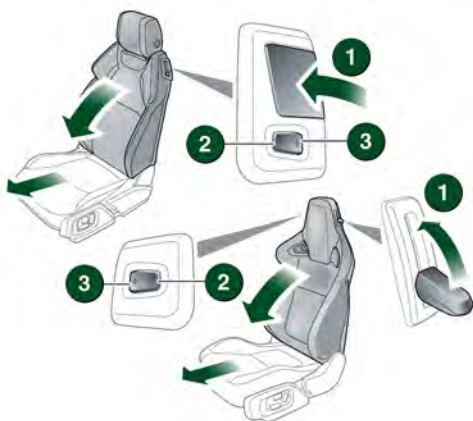
Memory seat buttons **1**, **2** or **3** must be pressed within 5 seconds of pressing the **M** button, otherwise the memory store function cancels.

COUPÉ REAR SEAT ACCESS

The front seats can tilt and power-slide forwards, enabling access to the rear seats. Control is by a lever and a two-way switch.

There are two types of seat. The Sport seat has the lever and switch panel located on opposite sides of the seat.

1. Lift the lever and pivot the seatback forwards.
2. Press to power-slide the seat forwards.
3. To return the seat to its previous position, pivot the seatback until it locks into position. Press the switch to power-slide the seat backwards until it locks into position.



PASSENGER AIRBAG DEACTIVATION

If it becomes necessary to fit a child restraint on the front passenger seat, the passenger airbag **MUST** be deactivated.

To disable/enable the front passenger airbag, use the right side steering wheel controls to access the Instrument panel **Main menu**.

Select **Vehicle Settings**.

Select **Passenger Airbag** to display the current status.

Select **Passenger Airbag On** or **Off**, as required.

The status indicator in the overhead console will illuminate while the ignition is on and **Passenger Airbag Off** is selected.

COMFORT ADJUSTMENTS

SEAT BELT REMINDER



A warning indicator in the Instrument panel illuminates if a front seat belt is not fastened or is unfastened, while the vehicle is moving.

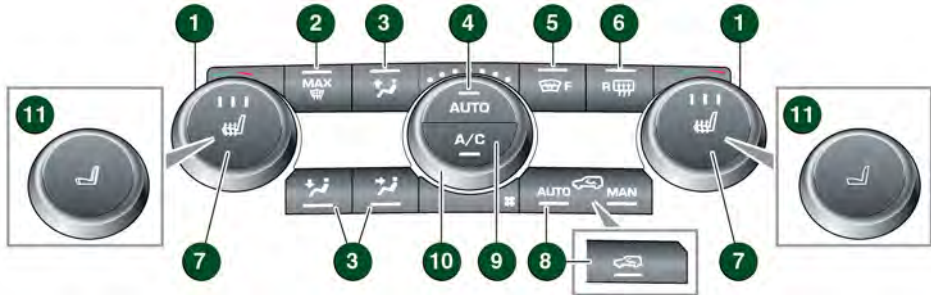
While the ignition is on, the Message centre displays each seating position represented by one of the following icons:



1. Green - seat belt in the indicated position is fastened.
2. Red - seat belt in the indicated position has been unfastened while the vehicle's ignition is on. This indicator will turn grey after 30 seconds.
3. Grey - seat belt not fastened.

An audible warning will sound if a seat belt is unfastened while the vehicle is moving.

CLIMATE CONTROL *See page 2, item 9.*



1. Temperature controls: Rotate to adjust the temperature.

Note: The system allows temperature differential of up to 4°C (7°F) between the left and right passenger areas.

2. Maximum defrost: Press for the fastest method of removing frost or heavy misting from the windscreen. Press again to switch off; screen heaters will remain on.
3. Air distribution: More than one setting can be selected simultaneously.
 - Windscreen and side window vents.
 - Foot level.
 - Face level.
4. **AUTO** mode: The system will adjust the Air Conditioning (A/C), blower speed, and airflow distribution to maintain the selected temperature(s) and reduce misting without constant manual adjustments.

Operating note

AUTO is the recommended Climate control operating mode. This will help to prevent misting.

5. Heated windscreen.
6. Heated rear screen.

7. Seat heaters: Press once to switch on to high, twice to switch on to medium, three times to switch on to low and a fourth time to switch off.

8. Recirculation:

With an air quality sensor: Press once to automatically restrict the entry of fumes. Press twice for recirculation to operate for a set period of time. Extended use of this setting causes screen misting. Press again to cancel recirculation.

Without an air quality sensor: Press once to activate recirculation for a set period of time. Press and hold to activate continuous recirculation; screen misting can occur. Press again to cancel recirculation.

9. **A/C:** For cooled and dehumidified air.
10. Blower control: Rotate to adjust airflow from the facial vents. LEDs indicate the current speed selection.
11. Front Climate seats: Press to view the Touch screen menu. The menu provides a choice of Heated ventilation, Cooled ventilation, and Seat zone selection. Touch the display arrows to adjust to the required selection.

External water deposits

The A/C system removes moisture from the air and deposits the excess water beneath the vehicle. Puddles may form, but this is normal and no cause for concern.

IGNITION ON AND ENGINE STARTING *See page 2, item 6.*

The **START/STOP** button is operational only when the Smart key is inside the vehicle.

Ignition only on

1. Press once to switch the ignition on.
2. Press again to switch off.

Engine start

1. The transmission must be in either the **P** or **N** position.
2. For an automatic transmission, press the brake pedal. For a manual transmission, press the clutch pedal.
3. Now press and release the **START/STOP** button.

Press the button again to stop the engine and switch the ignition off.

Diesel engine starting

In extreme low temperatures, the glow plug warning lamp may illuminate with a delay of up to 12 seconds between the **START/STOP** button being pressed and the engine cranking.

Make sure that the appropriate foot pedal remains pressed. **DO NOT** press the **START/STOP** button again, as the cranking time will be increased.

Smart key removal from the vehicle

If Intelligent stop/start is disabled, the engine continues to run, even if the Smart key is removed from the vehicle. However, if the engine is stopped, it cannot be restarted until the Smart key is returned to the vehicle.

WARNING AND INFORMATION LAMPS

The following lamps may illuminate in the Instrument panel during normal driving to indicate that a related system or feature is operating. If any other warning lamp illuminates, refer to the Owner's Handbook. DO NOT ignore warning lamps.



Notification of a critical warning in the Message centre.



Notification of a non-critical warning in the Message centre.



Airbag system fault.



Low brake fluid or a system fault.



Emissions fault.



Adaptive Front lighting System (AFS) fault.



Flashing: Electric Parking Brake (EPB) fault.



Emergency Brake Assist (EBA) fault or worn brake pads.



Low fuel level.



Low oil pressure.



On continuously: Dynamic Stability Control (DSC) fault.



Adaptive Cruise Control (ACC) is in Follow mode.



A seat belt is unbuckled.



Anti-lock Braking System (ABS) fault.



One or more tyres are under-inflated.

INSTRUMENT PANEL MENU *See page 2, items 3 and 4.*



1. Steering wheel control: Use to scroll up or down through the menu to the feature you want to disable/enable.
2. **Vehicle Information** menu: The following features can be adjusted:
 - Driver Assistance.
 - Trip Computer.
 - Display Settings.
 - Vehicle Settings.
 - Vehicle Information.
 - Head-Up Display.

DRIVING

TRANSMISSION

Gear selections can be made with either the rotary selector or with the selector paddles. The rotary gear selector elevates from the console at engine start-up.

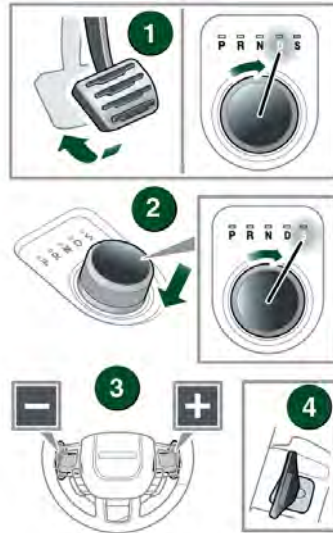
1. With the engine running and transmission **P** selected, press the brake pedal. Rotate the selector to **R** or **D**.
2. **Sport** mode: This is an automatic gear change mode, however, change points are modified to make full use of engine power. Press the selector down and rotate to **S**. The indicator alongside the selector illuminates.
3. **Commandshift** mode: This is an alternative to the automatic modes and is effective when rapid acceleration and engine braking are required. With **S** selected, use the left gear shift paddle (-) for downshifts and the right gear shift paddle (+) for upshifts.
4. With either paddle, pull it towards the steering wheel and release, to make a gear change.

The Message centre displays the selected gear.

Gear shift indicator



When manually selecting a gear, the indicator illuminates briefly in the Instrument panel at the recommended point for a gear shift (upshift).



INTELLIGENT STOP/START *See page 2, item 10.*

To activate an automatic engine stop:

For an automatic transmission, apply sufficient brake pressure to make sure the vehicle is stationary.

For a manual transmission, stop the vehicle, select neutral and fully release the clutch.



A green icon will illuminate in the Instrument panel.

The engine will restart when the brake pedal is released, a drive gear is selected, or for manual transmission, the clutch is pressed.



To switch off, press the Intelligent stop/start switch. The LED icon will extinguish while Intelligent stop/start is deactivated.

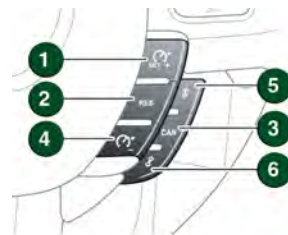
Operating note

When the vehicle comes to a stop, make sure that your feet do not touch the clutch or accelerator pedals. Inadvertent pressure will prevent the engine from stopping.

ADAPTIVE CRUISE CONTROL (ACC) *See page 2, items 19 and 20.*

The ACC system is designed to maintain a gap to the vehicle ahead or a set road speed, if there is no slower vehicle ahead. A speed may be set between 32 km/h (20 mph) and 180 km/h (112 mph).

1. Press to activate ACC and to set a speed. Press briefly to increase the speed in 2 km/h (1 mph) steps.
2. Press to resume the previous set speed retained in the memory. Set speeds are cleared at ignition off.
3. Pull to suspend ACC but retain the set speed in the memory.
4. Press to decrease the set speed. Press briefly to decrease the speed in 2 km/h (1 mph) steps.
5. Pull to decrease the Follow mode gap.
6. Pull to increase the Follow mode gap.



ELECTRIC PARKING BRAKE (EPB) *See page 2, item 16.*

Applying

With the vehicle stationary, pull the EPB switch up and then release it. A red lamp in the Instrument panel will illuminate continuously until the EPB is released.

- With an automatic transmission, the EPB will automatically apply when transmission **P** is selected.
- With a manual transmission, the EPB will automatically apply if the ignition is switched off and the vehicle's speed is below 3 km/h (2 mph).

Releasing

With the ignition on, press the brake pedal and press down on the EPB switch.

With an automatic transmission and either **D** or **R** selected, pressing the accelerator will automatically release the EPB.

With a manual transmission, automatic release can be effected in first, second, and reverse gears.

To effect an automatic release, the driver's door must be closed or the driver's seat belt must be buckled.

EXTERIOR LAMPS *See page 2, item 1.*



1. **Outer collar:** First position for side lamps, second position for headlamps and the third position for **AUTO**. With **AUTO** selected, all exterior lamps will switch on automatically when the ambient light fades.
2. **Inner collar:** Turn it away and release for front fog lamps. Turn it towards you and release for rear fog lamps. Turn and release again to switch off.

Headlamps high beam: Push the control forwards for high beam. To flash the headlamps, pull back and release.

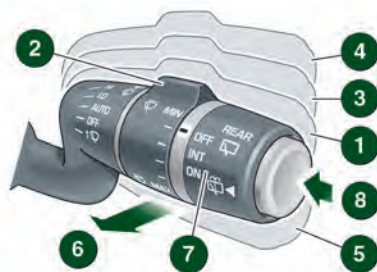
Auto high beam: Active when set via **Vehicle Settings** in the **Instrument panel menu** with the lighting control in the **AUTO** position and low beams in use.

High beam then automatically activates when the sensor detects no light or very low light source ahead. Low beam is automatically selected, when appropriate.

WIPERS AND WASHERS *See page 2, item 5.*

1. With Automatic rain sensing, the front wipers respond to rain severity. Without Automatic rain sensing, move up to select intermittent delay.
2. With Automatic rain sensing, rotate towards **MAX** to increase sensitivity. Without Automatic rain sensing, rotate towards **MAX** to increase the frequency of intermittent wiper.
3. Low speed continuous wipe.
4. High speed continuous wipe.
5. Windscreen single wipe.
6. Windscreen wash/wipe.
7. Rear wiper: Rotate to **INT** for intermittent wipe. Frequency increases with the vehicle's speed. Rotate to **ON** for continuous operation.
8. Rear wash/wipe: Continue to hold for additional operation.

If freezing conditions are likely, the wipers can be set to a higher position so that they can be lifted from the screen. See **Instrument panel menu**.



To prevent inadvertent wiper activation, turn the Automatic rain sensing off:

- Before entering an automatic car wash.
- During hot, dry and dusty periods.

DRIVING

BLIND SPOT MONITORING (BSM)

While a forward gear is selected and the vehicle's speed is above 10 km/h (6 mph), BSM will detect a vehicle approaching from behind, on either side, within its scanned range. The detection range is approximately 6 m to the rear, and 2.5 m to the sides.

1. An amber icon, depicting an approaching vehicle, illuminates in the relevant door mirror.
2. An amber dot illuminates when the vehicle's speed is below 10 km/h (6 mph). BSM is active only when the amber dot is extinguished.



PARK ASSIST

Park assist can help the driver to manoeuvre into, and out of, a space. With Park assist activated and while driving forwards at a vehicle speed of less than 30 km/h (18 mph), sensors identify a suitable space where the vehicle can be steered automatically into place. The driver only operates the accelerator and brake.

To search for a space on the driver's side, signal a turn in that direction.

When searching for a parking space, use the following procedure:



Briefly press the Park assist button, located alongside the Touch screen, to activate the system.

Note: Park assist will already have recorded any available space passed within the last few seconds and may issue immediate advice to stop.

1. A first press switches the system on and selects **Parallel parking**.
2. Press again for **Perpendicular parking**.
3. Press a third time for **Parking exit**.

Follow the displayed instructions.

Park assist instructs you to stop or to drive forward to a starting point and when to select Reverse gear. Further manoeuvring may be required. Follow instructions in the Message centre.

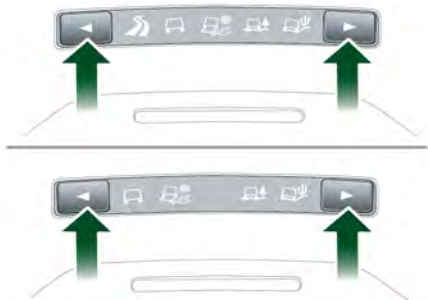
When the manoeuvre is completed, **STOP** will be displayed.



TERRAIN RESPONSE *See page 2, item 14.*

When the vehicle is started, Terrain response normally starts in its **General** program.

Program selection is via one of two types of centre console switches. Depending on the vehicle's specification, the control switches may include a **Dynamic** setting.



Use the switches to select a program. Icons illuminate, as selected. The Message centre also displays an icon.

It is recommended that a special program be engaged whenever driving conditions are difficult, and then moved back to the **General** program, once those conditions are no longer present.



General: Use for typical road surfaces.



Grass-Gravel-Snow: Suitable for surfaces which are firm but have a slippery surface, e.g., grass, snow, loose gravel, pebbles, or icy conditions.



Mud-Ruts: Suitable for soft, muddy, uneven, or rutted ground.



Sand: Suitable for soft, predominantly dry, yielding sandy ground, e.g., sand dunes and deserts. If the sand is damp or wet, the Mud-Ruts program may be more beneficial.



Dynamic: Associated with driving style, rather than with a type of terrain. Dynamic selection allows the vehicle's full on-road potential to be explored. Handling and driving characteristics are optimised for normal road surfaces.

Wading

When wading through water, select the program most suitable for the surface beneath the water. **DO NOT** exceed 500 mm of water depth and enter the water with a shallow approach angle.

DO NOT stop the vehicle or switch the engine off while wading. Severe electrical damage may occur.

PARKING AIDS

Front and rear Parking aids are activated when transmission **R** is selected. When a forward gear is subsequently selected, the Parking aids remain active until the vehicle's forward speed exceeds 16 km/h (10 mph).

If an obstruction is detected, an intermittent tone sounds. Moving closer to the obstruction increases the frequency of the tone.

The Parking aid switch is located next to the Touch screen. Press the switch to deactivate. Press again to activate; the switch illuminates.

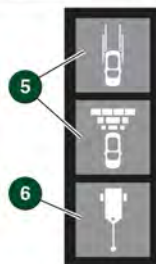
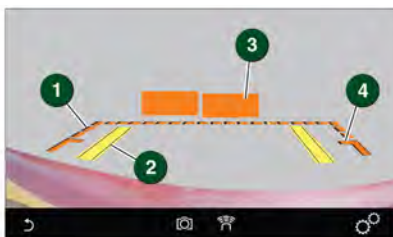


Rear camera

Activates when transmission **R** is selected. The Touch screen displays guidance lines to aid reversing.

To view the user options, briefly touch the screen. Use the Back soft key to return to the screen.

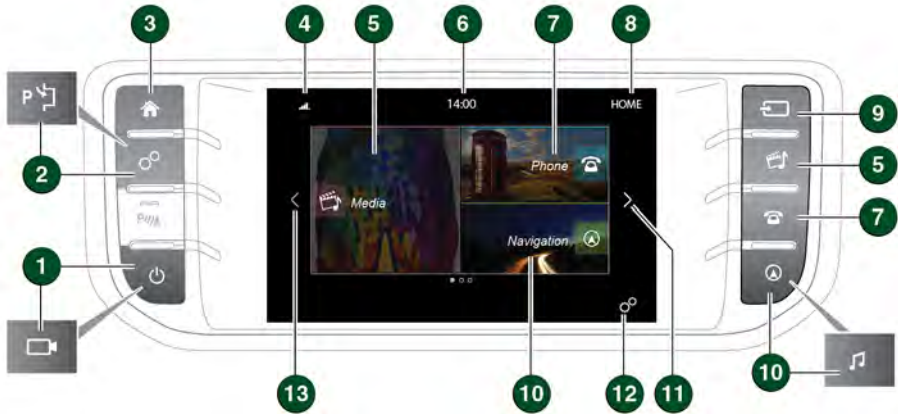
1. Broken line: Full width of the vehicle.
2. Solid line: Projected reversing path based on the current steering wheel position.
3. Parking sensors activated: Shaded area indicates which rear sensors are active.
4. Tailgate access guidance lines: Do not reverse beyond this point if tailgate access is required.
5. User options: Touch one of the mini views to select overlay options.



6. Hitch guidance: To aid the process of guiding the vehicle to the trailer's tow hitch. A single hitch line is displayed as the reversing guidance line. As the vehicle closes to within 0.6 m of the tow hitch, an automated zoom is operated.

TOUCH SCREEN

TOUCH SCREEN See page 2, item 7.

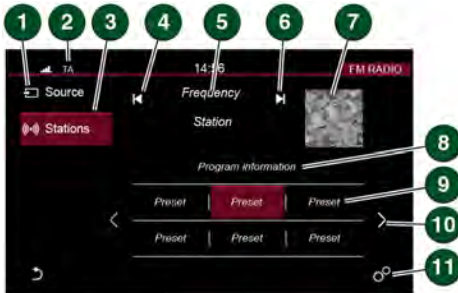


1. Press to switch the Touch screen on/off. If Surround cameras are fitted, the screen can be switched off in Extra features.
2. Press to display the **GENERAL SETTINGS** menu. If Park assist is fitted, press to switch Park assist on/off.
3. Press to select the **HOME** screen.
4. Status icons: When a phone is connected, the battery level and network strength is displayed. Also, when selected, **TA** (Traffic announcements) is displayed.
5. Touch the screen or press the button, to select the Media system.
6. Clock. Time can be adjusted via the **System** option, in the **GENERAL SETTINGS** menu.
7. Touch the screen or press the button, to select the **PHONE** screen.
8. Screen title.
9. Press to select the media **SOURCE** list.
10. Touch the screen or press the button, to select the **NAVIGATION** system. The current destination route, or the **NAV MENU** screen will be displayed. For vehicles without navigation, press to display the **MEDIA SETTINGS** menu.
11. Touch the arrow or swipe the screen, to display the **EXTRA FEATURES** screen.
12. Touch to select the **GENERAL SETTINGS** menu.
13. Touch the arrow or swipe the screen, to display the next screen to the left.

The Touch screen requires only light touches. Excess pressure could result in damage.

AM/FM RADIO

On the Touch screen **HOME** menu, touch the **Media** option. Select **Source**, followed by **FM Radio**.



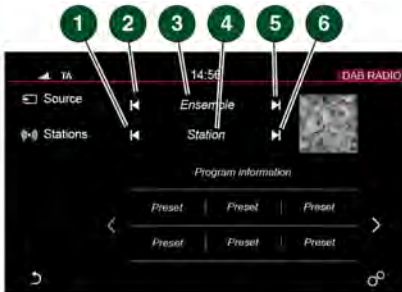
1. **Source**: Touch to select the media source list.
2. **Status icons**: Shows the connected phone's battery level, network signal strength, and **TA** (if selected).
3. Touch to view and select stations.

4. Briefly touch for auto-seek down to the previous station.
5. The selected radio station name and frequency.
6. Briefly touch for auto-seek up to the next station.
7. Waveband image (if available).
8. Information from the selected station.
9. Preset soft keys: Can store 6 stations for each waveband. Touch and hold a soft key to store the current radio station.
10. Touch the arrow to scroll through the preset stations.
11. Touch to select the **SETTINGS** pop-up menu. Select **Media**, followed by **Radio**, to view the **RADIO SETTINGS**.

Note: Manual radio station seek up and down can be achieved with the steering wheel audio controls.

DAB RADIO

On the Touch screen **HOME** menu, touch the **Media** option. Select **Source**, followed by **DAB Radio**.



1. Seek down: Touch to auto-seek down the frequency to the next radio station.
2. Seek up: Touch to auto-seek up the frequency to the next radio ensemble.
3. The selected radio ensemble name.
4. The selected radio station name.

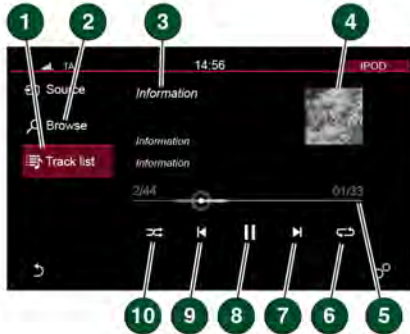
5. Seek up: Touch to auto-seek up the frequency to the next radio ensemble.
6. Seek down: Touch to auto-seek down the frequency to the next radio station.

Storing a DAB station on a preset soft key

Select a DAB radio station. Touch and hold a preset soft key to store the station. To subsequently listen to a stored station, touch the appropriate preset. Use the seek buttons on the steering wheel to change to the next or previous stations.

PORTABLE MEDIA

On the Touch screen **HOME** menu, touch the **Media** option. Select a portable media in the **Source** options.

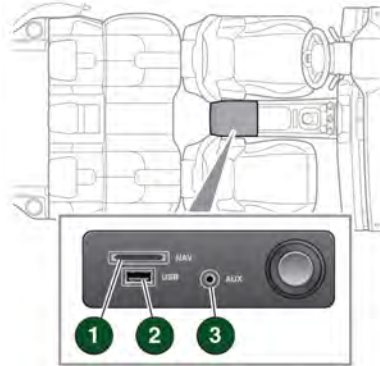


1. **Track list:** Touch to select the list of tracks from the connected device.
2. **Browse:** Touch to select the menu screen for the required music or audio source subject list for the connected device: **Playlists, Artists, Albums, Songs**, etc.
3. Information relating to the music or audio being played.
4. If available, the album art for the current track being played is displayed.
5. Progress bar: Drag the spot or touch the line to move forwards or backwards through the track.
6. Continuous play: Touch to play the current track continuously.
7. Skip/scan forwards: Touch to skip forwards to the start of the next track, or, touch and hold to scan forwards through the current track being played. Playback resumes when the soft key is released.
8. Pause/play: Touch to pause playback; touch again to resume playback.
9. Skip/scan backwards: Touch to skip back to the beginning of the current track being played, or, touch and hold to scan backwards through the current track being played. Playback resumes when the soft key is released.
10. Shuffle: Touch to play random tracks from the current MP3 folder, USB folder or iPod playlist.

Note: When connecting a **Bluetooth®** wireless technology device, use the Touch screen to operate and search the device. Repeat and Shuffle modes are not available for **Bluetooth** wireless technology devices.

Connecting a portable media device

The connecting ports for portable media devices, are located inside the centre console cubby box.



1. SD card slot for Navigation and Voice only. Insert until it clicks into place.

Note: Only use the SD card provided with the vehicle. The media system will not play music or display saved images from an SD card.

2. USB.
3. 3.5 mm AUX socket.

Note: Auxiliary devices have no Touch screen control.

Note: If an iPod is connected to the vehicle via its Bluetooth® wireless technology facility and also, via a USB cable, for music playback, make sure that the USB connection is made last.

If alternative connections are made, track title and time information is shown on the Touch screen but no audio will be heard through the vehicle speakers. To address this issue, disconnect and reconnect the USB cable.

STEERING WHEEL AUDIO CONTROL *See page 2, item 2.*

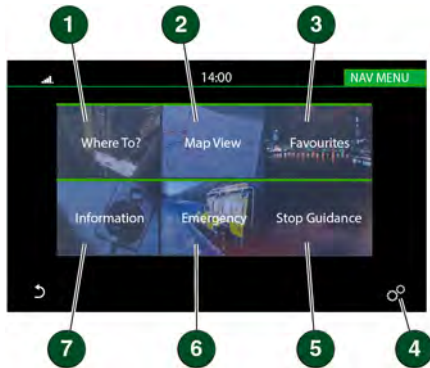
Media system selections can also be made from the steering wheel control.



1. Volume increase.
2. Press repeatedly for media source options.
3. Seek/scan/skip up.
4. Volume decrease.
5. Seek/scan/skip down.

TOUCH SCREEN NAVIGATION

To access navigation, press either the Navigation button to the right of the Touch screen, or touch **Navigation** on the **HOME** screen.



1. **Where To?:** Touch for setting a destination. When a destination is selected, there are 4 further options:
 - **Yes** to start navigation.
 - **Options** for the type of route.
 - **Avoid** to avoid a road feature.
 - **Save** to save the route to your **Favourites**.
2. **Map View:** Touch to view the map screen.
3. **Favourites:** Touch to view the list of stored destinations.
4. Touch to select the **SETTINGS** pop-up menu, select **Navigation**, to view the settings.
5. **Stop Guidance:** Touch to cancel the current route guidance.
6. **Emergency:** Touch to see a list of emergency services.
7. **Information:** Touch to display the following: **Traffic**, **Where am I**, and **Trip computer**.

Settings

When using the Navigation system for the first time, personal preferences should be set. These settings are then applied whenever the Navigation system is used.

Settings include:

- Speed limit warning.
- Navigation guidance options.
- Map display mode.
- Map view.
- Orientation of map direction.
- Traffic incidents.

Map view



1. Touch to select the **NAV MENU**.
2. Touch to select the **ROUTE** menu.
3. Touch to set a selected destination.
4. Touch to show information for a Point Of Interest (POI), or for traffic information.
5. Touch to reduce the map size.
6. Drag the indicator along the scale to enlarge or reduce the map size, or touch the line for the position required.
7. Touch to change between estimated time to destination and distance to destination.
8. Touch to enlarge the map size.
9. Touch to select the **SETTINGS** pop-up menu, select **Navigation**, to view the settings.
10. Next manoeuvre icon and the distance to the next manoeuvre. Touch to hear Voice guidance for the next manoeuvre.
11. Indicates the vehicle's position on the set route.
12. The route that has been set.

BLUETOOTH® WIRELESS TECHNOLOGY DEVICES

Bluetooth Connectivity

For the latest compatibility information, go online to www.landrover.com. Select **OWNERSHIP** and then **Bluetooth**.

Note: *The process of pairing and connecting a phone to the vehicle varies depending on the type of phone used.*

Use the following procedure in conjunction with your phone manufacturer's instructions.

Connection must be made with the ignition switched on or with the engine running.

Pairing and connecting using a phone

1. Switch the ignition on and make sure that the Touch screen is active.
2. Select **GENERAL SETTINGS**, then **Bluetooth**.
3. From the list, select **Make system discoverable**.
4. Switch on your phone or device's connection. Make sure that your phone or device is in discoverable mode, sometimes referred to as find me mode (see your phone or device's operating instructions for more information).
5. A Passkey number appears on the phone or device. If this number matches the number on the Touch screen, touch **Yes**, or press **Pair** on the phone or device.
6. Once a phone or device is paired, it appears on the connected device's list and on the **PHONE** screen.

Pairing and connecting using the Touch screen

1. Switch on your phone or device's connection. Make sure that your phone or device is in discoverable mode, sometimes referred to as find me mode (see your phone or device's operating instructions for more information).
2. Switch the ignition on and make sure that the Touch screen is active.
3. Select **GENERAL SETTINGS**, then **Bluetooth**.
4. Select **Search for Bluetooth Devices**.
5. The system searches for a phone or device and, if found, the phone or device displays on the screen. If the phone or device is not found, **NO DEVICES FOUND** is displayed.
6. A Passkey number appears on the phone or device. If this number matches the number on the Touch screen, touch **Yes**.

Calls via the Touch screen

With a paired and active phone, press the Phone button to the right of the Touch screen.



1. Select **Messages**, **Contacts** or **Call lists**.
2. Touch to search for a new device, or change to another, paired phone or device.
3. Touch to display the keypad. Use the keypad to enter a phone number.
4. To make a call, touch the green connect icon. The icon changes to a red connected call icon. To end a call, touch the red icon.

Calls via the steering wheel controls



Connect: Press and release to send or accept a call, or to access the **Last 10** dialled list. Press and hold to access the **Contacts**.



Disconnect: Use to end or reject a call.



Voice control talk button. The screen displays available options. Say **Phone** and follow the instructions.

The steering wheel media controls can be used to adjust the phone volume and to scroll through **Contacts**.

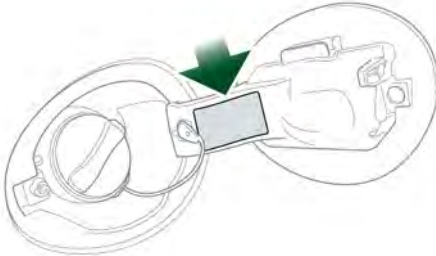
FILLING STATION INFORMATION

REFUELLING

The fuel filler flap is located on the right side of the vehicle. If the vehicle is locked, the filler flap cannot be opened.

Push the flap at the rear edge to release, then pull to open.

The correct fuel specification is shown on the inside of the fuel filler flap.



Twist the cap counter-clockwise to release. Replace the cap and turn it clockwise until the ratchet clicks. Close the fuel filler flap until it is latched in the closed position.

Diesel misfuelling prevention

One of two types of diesel misfuelling protection devices may be fitted in the fuel filler neck. The device helps to prevent the diesel fuel tank being accidentally filled with petrol.

With the active misfuelling protection device, a metal flap in the filler neck opens to allow fuel filling, only when the correct size of fuel nozzle is fully inserted into the fuel filler neck.

The passive device will activate and restrict fuel filling, if a narrow type of fuel nozzle is fully inserted. The narrow fuel nozzle is associated with unleaded petrol pumps. When the device is activated, a yellow flap is visible in the filler neck. Use the reset tool, located in the vehicle's tool kit, to reset the device.

Both device types will block the passage of fuel. If fuelling continues, it may cause fuel to be discharged from the filler neck.

Refer to the **Fuel and refuelling** section in your Owner's Handbook for further details and for instructions on how to reset the device after activation.

Incorrect fuelling

No responsibility is accepted for damage caused by using incorrect fuels.

If the vehicle is filled with the wrong type of fuel:

- **DO NOT start the engine!**
- **Call for qualified assistance!**

Fuel information

DO NOT use E85 fuels (85% ethanol content). Equipment necessary for the use of fuels containing more than 10% ethanol is not fitted to this vehicle. If E85 fuels are used, serious engine and fuel system damage will occur.

For diesel vehicles, use diesel fuel to specification EN 590 with a maximum Bio-diesel mix of 7%.

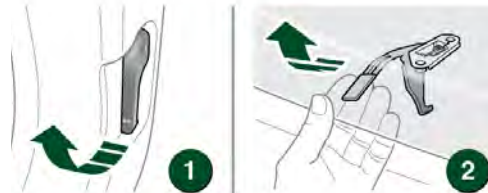
Jaguar Land Rover vehicles are capable of running with up to a 7% blend of Bio-diesel.

DO NOT use a higher blend of Bio-diesel fuel.

TYRE PRESSURE LABEL

Tyre pressures are displayed on a label attached to the pillar behind the driver's door.

BONNET RELEASE



1. Pull the bonnet release lever, located in the left side front footwell.
2. Lift the bonnet safety catch, located below the centre point of the bonnet, then raise the bonnet.