



DEFENDER

OWNER'S HANDBOOK

Publication Part No. LRL 10 02 51 801

This handbook forms part of the Owner literature supplied with your new vehicle. Left-hand drive and right-hand drive conditions may be shown in the graphics and where information is specific to a particular country, it is indicated as such.

The separate **Quick Start Guide** is designed to rapidly familiarise the driver with the initial set up and also explain some of the unique features. Please take the time to study all of the operating instructions supplied with your vehicle as soon as possible.

Important

The information contained in the literature pack covers all vehicle derivatives and optional equipment. Therefore it is possible that some of the information contained in the literature pack may not be applicable to your vehicle.

The options, hardware and software in your vehicle are from the available specifications for the market in which the vehicle was intended for sale. If your vehicle is to be used in another geographical area you may have to modify the vehicle specification to suit local conditions. Land Rover is not responsible for the cost of any modifications.

The information contained in this publication is correct at time of printing. Vehicle specification changes may have been made after this handbook was printed. If this occurs a handbook supplement may be added to the literature pack prior to sale. Subsequent updates can be viewed on the Land Rover Internet site at **www.landrover.com**.

Land Rover cars reserve the right to change specifications, design, or equipment, at any time without notice and without incurring any obligations. This publication, or part thereof, may not be reproduced, translated, or transmitted by any means without prior approval.

Errors and omissions excepted.

© Land Rover 2007

All rights reserved.

Published by Land Rover Technical Communications.

Contents

Introduction

SYMBOLS GLOSSARY	6
LABEL LOCATIONS	6
HEALTH AND SAFETY	7
DATA RECORDING	7
PARTS AND ACCESSORIES	8

Keys and remote controls

USING THE KEY	10
GENERAL INFORMATION ON RADIO FREQUENCIES	10
USING THE REMOTE CONTROL	11

Locks

LOCKING AND UNLOCKING	13
-----------------------------	----

Alarm

ARMING THE ALARM	15
DISARMING THE ALARM	16

Seats

SITTING IN THE CORRECT POSITION	18
MANUAL SEATS	19
HEAD RESTRAINTS	21
REAR SEATS	21
HEATED SEATS	25

Seat belts

PRINCIPLE OF OPERATION	26
FASTENING THE SEAT BELTS	27
USING SEAT BELTS DURING PREGNANCY	28

Child safety

CHILD SEATS	29
BOOSTER CUSHIONS	30
CHILD SAFETY LOCKS	30

Lighting

LIGHTING CONTROL	31
REAR FOG LAMPS	31
HEADLAMP LEVELLING	32
HAZARD WARNING FLASHERS	32
DIRECTION INDICATORS	33
INTERIOR LAMPS	33
CHANGING A BULB	33
BULB SPECIFICATION CHART	39

Wipers and washers

WINDSCREEN WIPERS	40
WINDSCREEN WASHERS	40
REAR WINDOW WIPER AND WASHERS	41
ADJUSTING THE WINDSCREEN WASHER JETS	41
CHECKING THE WIPER BLADES	42
CHANGING THE WIPER BLADES	42

Windows and mirrors

ELECTRIC WINDOWS	43
SLIDING WINDOWS	43
EXTERIOR MIRRORS	44
INTERIOR MIRROR	44

Instruments

INSTRUMENT PANEL OVERVIEW	45
WARNING LAMPS AND INDICATORS	47

Climate control

AIR VENTS	50
MANUAL CLIMATE CONTROL	51
SUNROOF	52

Convenience features

SUN VISORS	54
CLOCK	54
CIGAR LIGHTER	54
ASHTRAY	55
CUP HOLDERS	55
STORAGE COMPARTMENTS	56
STEPS	56

Detachable roof

FITTING THE ROOF	57
------------------------	----

Starting the engine

STARTING A DIESEL ENGINE	60
--------------------------------	----

Transmission

MANUAL TRANSMISSION	61
TRANSFER GEARBOX	61
TECHNICAL SPECIFICATIONS	64

Brakes

PRINCIPLE OF OPERATION	65
HINTS ON DRIVING WITH ABS	65

Contents

PARKING BRAKE.....	66	CHANGING THE VEHICLE BATTERY	99
Driving hints		Wheels and tyres	
RUNNING-IN	68	GENERAL INFORMATION.....	101
ECONOMICAL DRIVING.....	68	TYRE CARE	103
Fuel and refuelling		USING WINTER TYRES.....	108
SAFETY PRECAUTIONS	69	CHANGING A ROAD WHEEL	108
FUEL QUALITY	69	USING SNOW CHAINS	115
RUNNING OUT OF FUEL	69	TYRE GLOSSARY	115
REFUELLING	70	TECHNICAL SPECIFICATIONS.....	116
TECHNICAL SPECIFICATIONS	71	Fuses	
Load carrying		CHANGING A FUSE	117
GENERAL INFORMATION	72	FUSE BOX LOCATIONS	117
LUGGAGE ANCHOR POINTS	72	FUSE SPECIFICATION CHART	118
ROOF RACKS AND LOAD CARRIERS	73	Emergency equipment	
Towing		HAZARD WARNING FLASHERS	121
TOWING A TRAILER	74	Status after a collision	
LEVELLING	74	DRIVING AFTER A COLLISION	122
RECOMMENDED TOWING WEIGHTS	75	INSPECTING SAFETY SYSTEM COMPONENTS....	122
ESSENTIAL TOWING CHECKS	75		
TOW BAR	76	Vehicle recovery	
Vehicle care		TOWING POINTS.....	123
CLEANING THE EXTERIOR	78	LASHING POINTS	123
CLEANING THE INTERIOR.....	79	TRANSPORTING THE VEHICLE.....	123
REPAIRING MINOR PAINT DAMAGE.....	80	TOWING THE VEHICLE ON FOUR WHEELS... 123	
Maintenance		Vehicle identification	
GENERAL INFORMATION	81	VEHICLE IDENTIFICATION PLATE.....	125
OPENING AND CLOSING THE BONNET	84	VEHICLE IDENTIFICATION NUMBER (VIN) ...	125
ENGINE COMPARTMENT OVERVIEW.....	85	Technical specifications	
ENGINE OIL CHECK	87	ENGINE SPECIFICATIONS	126
ENGINE COOLANT CHECK.....	88	WEIGHTS	126
POWER STEERING FLUID CHECK	90	DIMENSIONS	128
BRAKE FLUID CHECK	91	Type approvals	
CLUTCH FLUID CHECK.....	92	TYPE APPROVALS	131
WASHER FLUID CHECK.....	93	Audio introduction	
TECHNICAL SPECIFICATIONS	94	RADIO RECEPTION	133
Vehicle battery		Audio unit overview	
BATTERY WARNING SYMBOLS	95	AUDIO UNIT OVERVIEW	134
BATTERY CARE	95		
USING BOOSTER CABLES	97		
CHARGING THE VEHICLE BATTERY	98		

Contents

Audio system security

SECURITY CODE.....	136
--------------------	-----

Audio unit operation

ON/OFF BUTTON.....	137
VOLUME CONTROL	137
AUDIO CONTROL.....	137
WAVEBAND BUTTON.....	139
AUTOSTORE CONTROL	140
STATION PRESET BUTTONS	140
TRAFFIC INFORMATION CONTROL	141

Compact disc player

LOADING COMPACT DISCS.....	142
EJECTING COMPACT DISCS.....	143
COMPACT DISC PLAYBACK	144
TRACK SELECTION	144
COMPACT DISC PAUSE.....	144
FAST FORWARD/REVERSE.....	145
RANDOM TRACK SELECTION.....	145
REPEAT COMPACT DISC TRACKS.....	145
COMPACT DISC TRACK SCANNING	145
MP3 FILE PLAYBACK.....	146

Auxiliary input (AUX IN) socket

AUXILIARY INPUT SOCKET	148
------------------------------	-----

Introduction

SYMBOLS GLOSSARY

Warnings

WARNING



Safety warnings are included in this handbook. These indicate either a procedure which must be followed precisely, or information that should be considered with great care in order to avoid the possibility of personal injury.

Cautions

CAUTION



Cautions are included in this handbook. These indicate either a procedure which must be followed precisely, or information that should be considered with great care in order to avoid the possibility of damage to your vehicle.

Symbols



This recycling symbol identifies those items that must be disposed of safely in order to prevent unnecessary damage to the environment.



This symbol identifies those features that can be adjusted, disabled or enabled by a Land Rover Dealer/Authorised Repairer.

LABEL LOCATIONS



Warning labels attached to your vehicle bearing this symbol mean: Do not touch or adjust components until you have read the relevant instructions in the handbook.

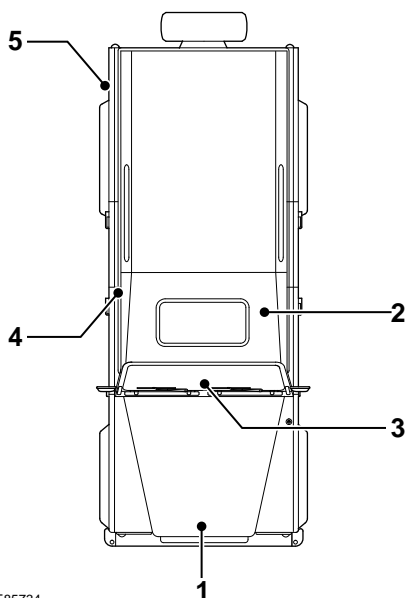


Labels showing this symbol indicate that the ignition system utilises very high voltages. Do not touch any ignition components while the starter switch is turned on.

Warning labels

Labels are attached to your vehicle at several positions. These are applied to draw your attention to important subjects, e.g. tyre pressures, tow bar use, roll-over risk, engine compartment hazards, etc.

Introduction



E85734

1. Fan cowl - Fan warning label, air conditioning label and Genuine Parts label
2. Top face of battery - Battery warning symbols
3. Facia - Transmission label
4. On right-hand rear wheel arch - Vehicle jacking label. Australia only - Tyre pressures label
5. Adjacent to the fuel filler cap - Fuel specification label

It is important that you are familiar with these subjects to ensure that your vehicle and its features are used safely. Using the index at the back of this handbook, refer to the relevant topic for more information.

HEALTH AND SAFETY

WARNINGS



Your vehicle has a higher ground clearance and hence, a higher centre of gravity than ordinary passenger cars, to enable the vehicle to perform in a wide variety of off-road applications. An advantage of the higher ground clearance is a better view of the road allowing you to anticipate problems.



The vehicle is not designed for cornering at the same speed as conventional passenger cars any more than a low-slung sports car is designed to perform satisfactorily under off-road conditions. If at all possible, avoid sharp turns or abrupt manoeuvres. As with other vehicles of this type, failure to operate the vehicle correctly may result in loss of control or vehicle roll-over.



The vehicle should not be parked over long dry grass or other combustible material, particularly during dry weather. As the heat generated by the exhaust and emission control systems may be sufficient to start a fire.

DATA RECORDING

Service data recording

Service data recorders in your vehicle are capable of collecting and storing diagnostic information about your vehicle. This potentially includes information about the performance or status of various systems and modules in the vehicle such as engine, throttle, steering or brakes.

Introduction

In order to properly diagnose and service your vehicle, Land Rover and service and repair facilities may access vehicle diagnostic information through a direct connection to your vehicle.

PARTS AND ACCESSORIES

WARNINGS



The fitting of non-approved parts and accessories, or the carrying out of non-approved alterations or

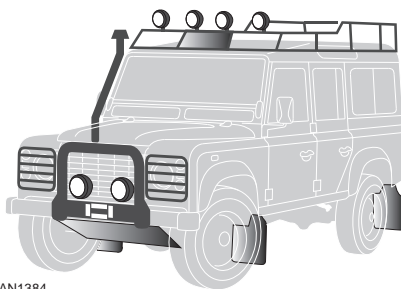
conversions, may be dangerous and could affect the safety of the vehicle and occupants and also invalidate the terms and conditions of the vehicle warranty.



Land Rover will not accept any liability for death, personal injury or damage to property which may occur as a direct result of fitment of non-approved accessories or the carrying out of non-approved conversions to Land Rover vehicles.



Land Rover strongly advise against making any modifications to the suspension or steering system. This could seriously affect the handling and stability of the vehicle leading to loss of control or roll-over.



LAN1384

The vehicle has been designed, built and tested to cope with a variety of off-road driving conditions, some of which can place the severest possible demands on control systems and components. As such, fitting replacement parts and accessories that have been developed and tested to the same stringent standards as the original components will safeguard the continued reliability, safety and performance of your vehicle.

To augment the vehicle's already impressive performance, a comprehensive range of Land Rover approved spare parts and accessories is available, enabling the vehicle to fulfil a wide variety of roles, and enhancing and protecting the vehicle in the many tasks to which it can be applied.

Land Rover parts are the only parts built to original equipment specifications and approved by Land Rover designers; this means that every single part and accessory has been rigorously tested by the same engineering team that designed and built the vehicle and can therefore be guaranteed for twelve months with unlimited mileage.

A full list and description of all accessories is available from your Land Rover Dealer/Authorised Repairer.

Introduction

Electrical equipment

WARNING



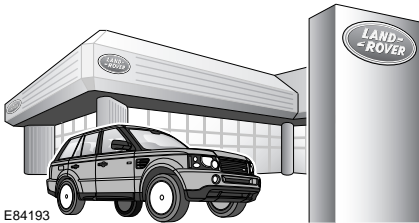
It is extremely hazardous to fit or replace parts or accessories, the installation of which requires the dismantling of, or addition to, either the electrical or fuel systems.

Always consult a Land Rover Dealer/Authorised Repairer before fitting any accessory.

Fitting inferior quality parts or accessories, may be dangerous and could invalidate the vehicle warranty.

It is recommended that you always consult a Land Rover Dealer/Authorised Repairer for advice regarding the approval, suitability, installation and use of any parts or accessories before fitting.

After-sales service



The After Sales Parts service is of paramount importance, both in the UK and across the world. In the UK there are over 100 authorised Land Rover Dealers/Authorised Repairers, all computer linked for rapid ordering of parts and accessories.

In addition, with franchised representation in over 100 countries worldwide, Land Rover are able to support your vehicle wherever you go.

Travelling abroad

In certain countries, it is a legal requirement to fit parts made to the vehicle manufacturers' specification.

Owners should ensure that any parts or accessories fitted to the vehicle while travelling abroad, will also conform to the legal requirements of their own country when they return home.