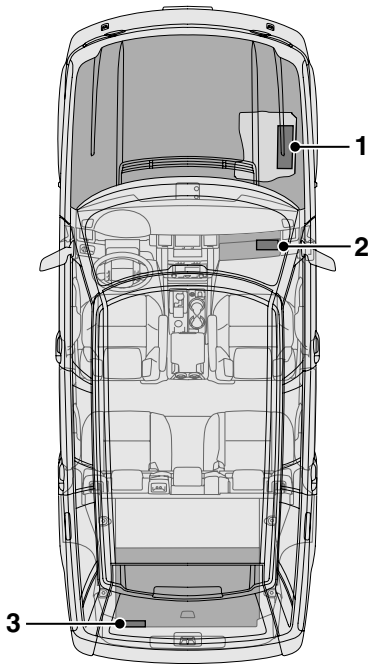


Fuses

FUSE BOX LOCATIONS

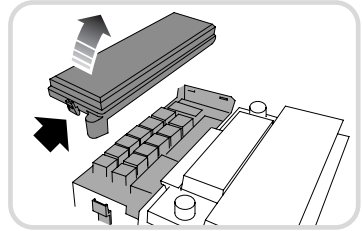
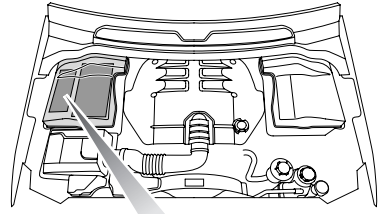


E92010

1. Engine compartment fuse box.
2. Passenger compartment fuse box.
3. Tow hitch fuse box.

Note: The engine and passenger compartment fuse boxes are always fitted on the passenger side of the vehicle.

Engine compartment fuse box

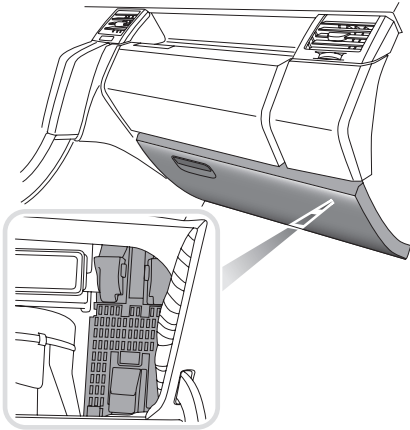


E90971

Remove the plastic cover by pressing the tabs. The fuse values and locations and the circuits protected are shown on the plastic cover.

Fuses

Passenger compartment fuse box

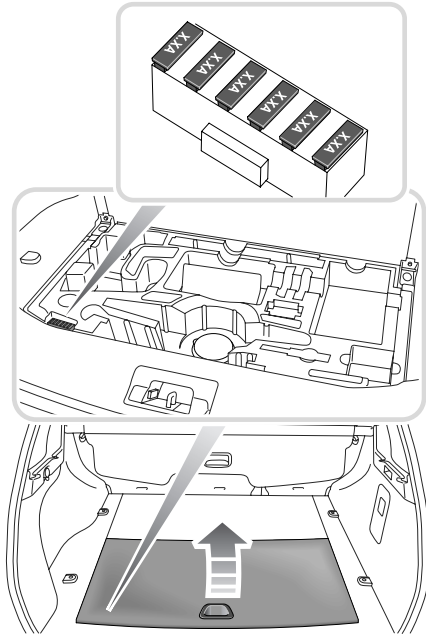


E90972

The passenger compartment fuse box is fitted behind the glove box. To access the fuses, open the glove box and then pinch the top of the support stays (arrowed), and lower the glove box into the footwell.

A label on the rear of the glove box shows the circuits protected, the fuse values and their locations.

Tow hitch fuse box




E90973


The supplementary fuse box that protects the tow hitch circuits, is located behind the left-hand panel in the luggage compartment.

Fuses

CHANGING A FUSE

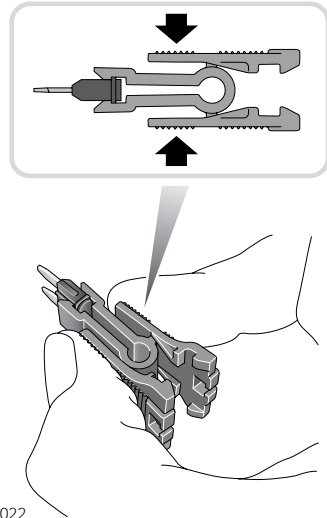
WARNINGS

 Fit Land Rover approved replacement fuses of the same rating and type, or fuses of matching specification. Using an incorrect fuse may result in damage to the vehicle's electrical system and can result in a fire.

 Always rectify the cause of the failure before replacing a fuse. Seek qualified assistance if necessary.

A blown fuse is indicated when the electrical equipment it protects stops working.

Always turn the starter switch to position **0** and switch off the affected electrical circuit before removing a fuse.



E81022

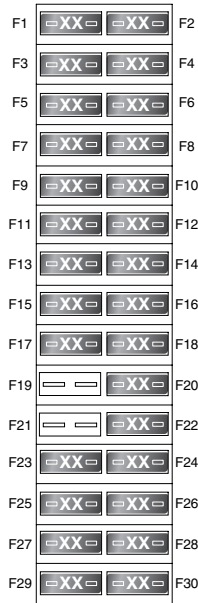
The fuse removal tweezers are located in the passenger compartment fuse box. Place the tweezers onto the head of the suspect fuse (as shown), squeeze the middle (arrowed) and pull to remove. A break in the wire inside the fuse indicates that the fuse has blown.

Note: Owners are advised against removing or replacing the relays (identified as **R1-R19** on the relays) and fusible links (identified as **FL1-FL20** on the fusible links) in the engine compartment fuse box. Failure of any of these items should be investigated by a qualified technician.

Fuses

FUSE SPECIFICATION CHART

Engine compartment fuse box



E81432

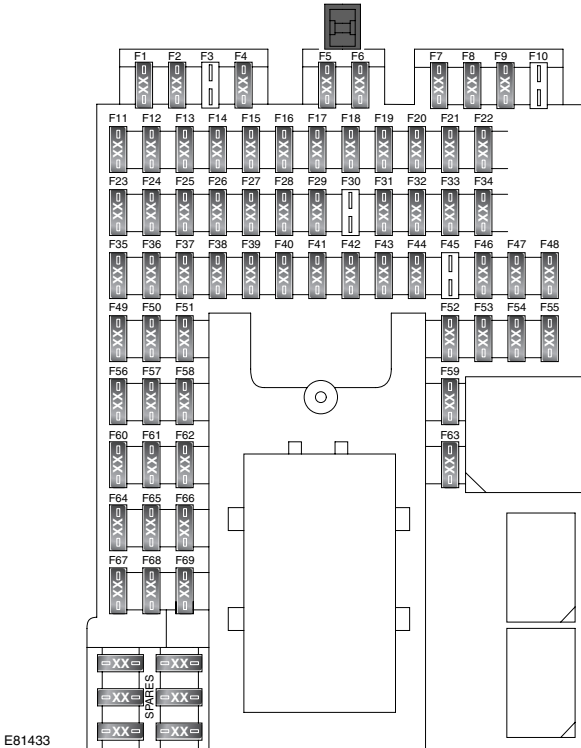
Fuse	Ampere rating	Colour	Circuits protected
1	25	White	Fuel pump
2	-	-	-
3	5	Tan	Air suspension ECU
4	25	White	Diesel EMS (ECM and fuel pump relay control)
5	10	Tan	Petrol EMS (purge valve, EGR, inlet manifold tune valve), E-box fan
6	15	Blue	Petrol EMS (ignition coils)
6	15	Blue	Diesel EMS (Sensors and glow plug relay control)
7	25	White	Front seat heater
8	25	White	Rear seat heater
9	-	-	-
10	15	Blue	Petrol EMS (throttle motor, MAF), cooling fan

Fuses

Fuse	Ampere rating	Colour	Circuits protected
10	15	Blue	Diesel - cooling fan
11	15	Blue	Petrol EMS (rear oxygen sensors)
12	10	Red	Heated washer jets
13	10	Red	Petrol EMS (ECM, VVTs and fuel pump relay control)
13	10	Red	Diesel EMS (PCV, VCV)
14	20	Yellow	Petrol EMS (front oxygen sensors)
15	30	Green	Heated front screen
16	10	Red	Heated door mirrors
17	15	Blue	Petrol EMS (injectors)
17	15	Blue	Diesel EMS (MAF, EGR), E-Box fan
18	30	Green	Heated front screen
19	-	-	-
20	5	Tan	Alternator
21	-	-	-
22	30	Green	Rear blower
23	25	White	Dynamic Stability Control system
24	20	Yellow	Petrol - brake boost pump
25	10	Red	Lighting switch
26	20	Yellow	Air suspension ECU
27	5	Tan	Engine Control Module (ECM)
28	20	Yellow	Diesel - auxiliary heater
29	30	Green	Front wipers
30	10	Red	Auto transmission ECU

Fuses

Passenger compartment fuse box



Fuse	Ampere rating	Colour	Circuits protected
1	10	Red	Interior lamps - glove box lamp, vanity mirror lamp, map lamps, switchable roof lamps. Electric seats (non memory).
2	10	Red	Right-hand side lamps
3	-	-	
4	10	Red	Left-hand side lamps
5	10	Red	Reverse lamps
6	10	Red	Trailer reverse lamp
7	25	White	Driver's window
8	30	Green	Trailer pick-up (battery feed)
9	5	Tan	Airbags

Fuses

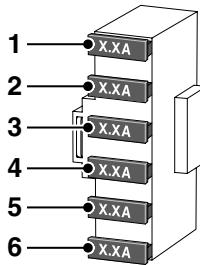
Fuse	Ampere rating	Colour	Circuits protected
10	-	-	-
11	15	Blue	Washer pump
12	15	Blue	Horn
13	25	White	Heated rear window
14	10	Red	Trailer side lamp
15	15	Blue	Brake lamps, Brake switch
16	10	Red	Powerfold mirror
17	20	Yellow	Rear right-hand window
18	5	Tan	Rain sensor, ambient light sensor (auto lamps)
19	15	Blue	Auxiliary power socket - 2nd row seats
20	15	Blue	Sunroof
21	25	White	Passenger window
22	10	Red	Trailer pick-up (ignition feed)
23	-	-	-
24	5	Tan	Transfer box - centre differential, Terrain Response
25	5	Tan	Engine Control Module (ECM)
26	5	Tan	Battery back-up sounder
27	10	Red	Adaptive front lighting, Headlamp levelling
28	5	Tan	Fuse box engine compartment - ignition
29	30	Green	Passenger electric seat
30	-	-	-
31	20	Yellow	Rear left-hand window
32	15	Blue	Rear fog lamps
33	5	Tan	Mirror adjust, Automatic transmission selector
34	15	Blue	Auxiliary power socket - front seats
35	5	Tan	Air suspension ECU
36	5	Tan	Park Distance Control, Tyre pressure monitoring system
37	5	Tan	Dynamic Stability Control
38	15	Blue	Front fog lamps
39	5	Tan	Instrument pack
40	5	Tan	Key-in sense

Fuses

Fuse	Ampere rating	Colour	Circuits protected
41	5	Tan	Electric Parking Brake (EPB)
42	30	Green	Audio amplifier
43	10	Red	Radio frequency receiver, Tyre Pressure Monitoring system
44	5	Tan	Automatic transmission selector
45	-	-	-
46	30	Green	Drivers electric seat
47	15	Blue	Auxiliary power socket - 3rd row seats
48	15	Blue	Rear wiper
49	30	Green	Central door locking
50	10	Red	Electric fuel flap actuator
51	10	Red	Climate control ECU
52	5	Tan	Telephone, traffic message centre
53	15	Blue	Multi-media module, audio unit, DVD player, Video Display
54	5	Tan	Electric seat - memory, lumbar pump
55	15	Blue	Cigar lighter
56	10	Red	Adaptive front lighting (left-hand unit)
57	10	Red	Rear seat entertainment module
58	10	Red	Telephone, touch screen display, multi-media module, TV tuner
59	10	Red	Cubby box cooler
60	5	Tan	Engine control module (ECM)
61	10	Red	Adaptive front lighting (right-hand unit)
62	5	Tan	Low beam, auto lamps
63	10	Red	Diagnostic socket
64	5	Tan	Automatic transmission ECU
65	-	-	-
66	5	Tan	HDC switch, Brake switch, Steering angle sensor, DSC switch
67	5	Tan	Auto lamps
68	5	Tan	Instrument pack
69	5	Tan	Automatic dimming interior mirrors

Fuses

Tow hitch fuse box



E81903

Fuse	Ampere rating	Colour	Circuits protected
1	7.5	Brown	Brake lamp
2	15	Blue	Ignition feed
3	15	Blue	Battery feed
4	7.5	Brown	Rear fog lamps
5	5	Tan	Right-hand tail lamp
6	5	Tan	Number plate and left-hand tail lamp