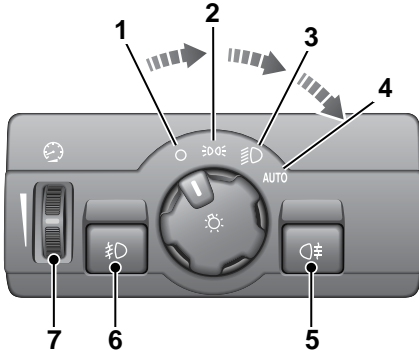


Lighting

LIGHTING CONTROL

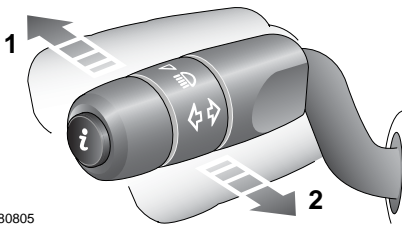
Main switch panel



E85297

1. Headlamps/side lamps off.
2. Side lamps on.
3. Headlamp dipped beam on.
4. Autolamps on.
5. Rear fog lamps on/off.
6. Front fog lamps on/off.
7. Facia illumination dimmer control.

Main beam



E80805

1. When the headlamp dipped beams are switched on, push the indicator stalk to change to full beam.
2. To flash the headlamps at anytime, briefly pull the indicator stalk and release it.



When the headlamp main beam is on, the main beam warning indicator will illuminate.

Note: Do not use main beam where it may dazzle other road users.

Daytime running lamps (Canada only)

The sidelamps, license plate lamps and headlamp low beams will illuminate with the engine running and the lamps master switch turned off. The instrument pack illumination remains off.



Unless they are required or prohibited by law, daytime running lamps can be disabled or enabled by a Land Rover Dealer.

Headlamp courtesy delay

This feature enables the driver to keep the area in front of the vehicle illuminated for a short period after the vehicle has been locked.

1. Switch off the ignition.
2. Pull the indicator stalk (main beam flash) towards the steering wheel, and exit the vehicle as normal.



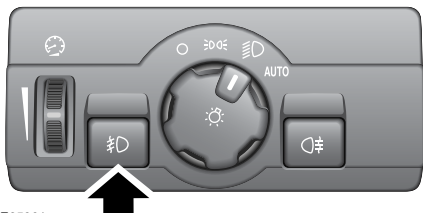
The headlamps will remain on for thirty seconds. The length of time that the headlamps remain on, can be adjusted by your Land Rover Dealer.

Condensation

Misting of lamp lenses can occur under some atmospheric conditions. This will not affect the performance of the lamps, and will clear during normal operation.

Lighting

FRONT FOG LAMPS



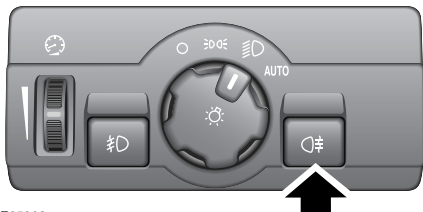
E85301

Front fog lamps will only operate when headlamp dipped beam, or Auto lamps are selected. Press the front fog lamp button to switch on, press again to switch off.



When the front fog lamps are on, the front fog lamp warning indicator will illuminate.

REAR FOG LAMPS



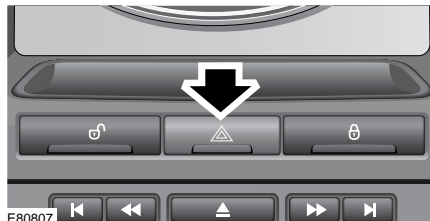
E85302

Rear fog lamps will only operate when headlamp dipped beam, or Auto lamps are selected. Press the rear fog lamp button to switch on, press again to switch off.



When the rear fog lamps are on, the rear fog lamp warning indicator will illuminate.

HAZARD WARNING FLASHERS



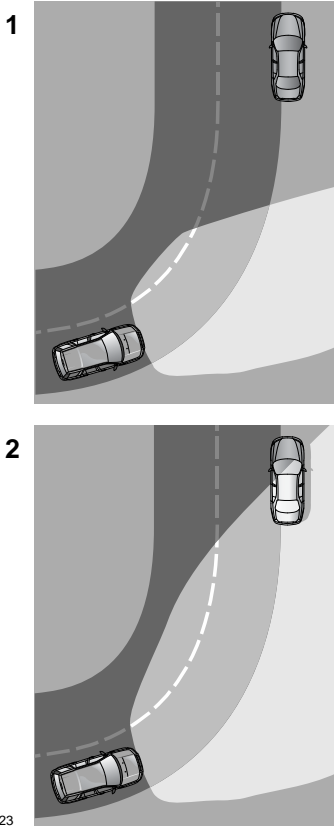
E80807

Press the switch to turn the hazard warning lamps on. When the hazard warning lamps are operating, the indicator warning lamps will flash in time with the hazard warning lamps.

Note: Hazard warning lamps can be used when the ignition is on or off.

Lighting

ADAPTIVE FRONT LIGHTING SYSTEM (AFS)



1. Vehicle without AFS.
2. Vehicle with AFS.

When cornering using low beam, AFS will adjust the headlamp beams to provide improved illumination in the direction of travel.

AFS is deactivated when :-

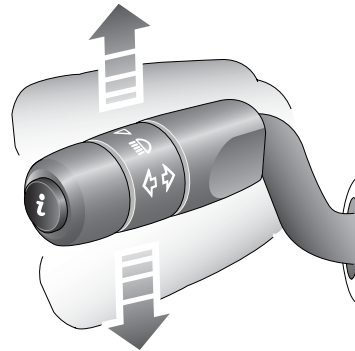
- reverse gear is selected.
- the vehicle is stationary.
- daylight running lamps are on.



If a system fault is detected the headlamps will attempt to move to the central position, and remain stationary. The AFS warning indicator will flash to indicate that a fault is present.

If the warning indicator flashes, contact your Land Rover Dealer as soon as possible.

DIRECTION INDICATORS



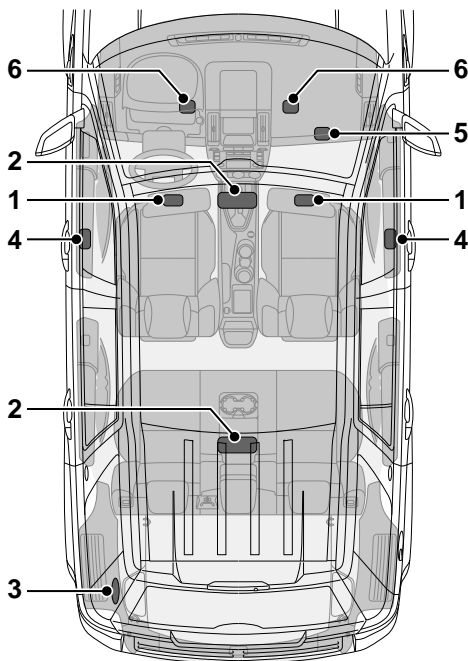
E80822

The direction indicators are operated using the indicator stalk. Move the stalk up or down, to indicate turning right or left.

The indicators will operate three times if the stalk is briefly pushed up or down.

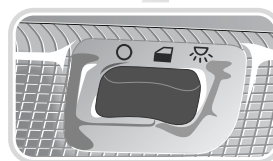
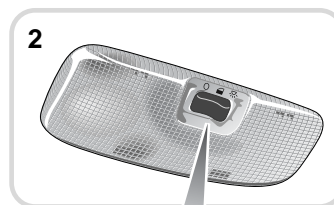
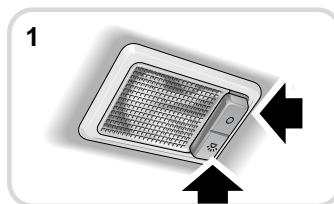
Lighting

INTERIOR LAMPS



E83602

1. Sun visor lamps. Switch on or off as required using the switch.
2. Map reading/interior lamps. The switch allows them to be turned on, off, or set to operate when the doors are opened.
3. Luggage compartment lamp. Automatically illuminates when the doors are opened.
4. Puddle lamps. Automatically illuminate when the doors are opened.
5. Glove box lamp. Automatically illuminates when the glove box is opened.
6. Footwell lamps. Automatically illuminate when the doors are opened.



APPROACH LAMPS

The approach lamp feature turns on the parking lamps, indicator lamps, door mirror lamps, and number plate lamps remotely. This feature is activated with the remote control.

See **USING THE REMOTE CONTROL** (page 35).



The length of time which the lamps remain on can be adjusted by your Land Rover Dealer.

Lighting

CHANGING A BULB

General information

CAUTION



Always replace bulbs with the correct type and specification. If you are in any doubt contact your Land Rover Dealer for advice.

Note: In certain territories it is a legal requirement to carry spare bulbs. A replacement bulb kit is available as an approved accessory from your Land Rover Dealer.

Halogen bulbs

Halogen bulbs are used for high beam, low beam, and front fog lamps. Take care not to touch the glass part of the bulb with your fingers; always use a cloth to handle the bulb. If necessary use methylated spirits to remove finger prints.

Xenon lamps

WARNINGS



Replacement or maintenance of Xenon lamps should only be carried out by suitably qualified personnel.



High voltage is required to ignite the gas and metal vapour which are used to power Xenon lamps. Contact with this voltage can cause serious injuries.



Xenon lamp units operate at a very high temperature. Ensure that the lamp units have cooled before attempting to touch them.



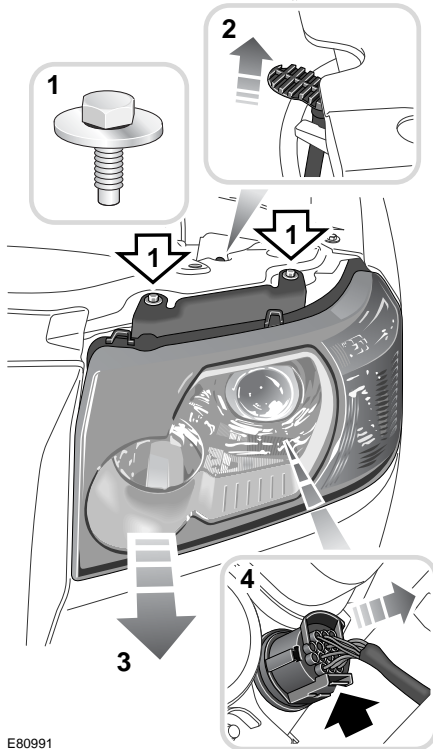
Xenon lamp units contain Mercury which is highly toxic, and can be extremely harmful.



Seek advice about the correct disposal of Xenon lamp units from a Land Rover Dealer, or your local authority.

Lighting

Removing the headlamp unit



E80991

In order to change a headlamp unit bulb, you must first remove the headlamp unit.

To remove the headlamp unit :-

1. Undo and remove the two retaining bolts.
2. Pull up the locking lever to release the headlamp unit.
3. Pull the headlamp unit forward sufficiently to allow access to the rear of the unit.
4. Disconnect the electrical plug from the back of the headlamp by pressing in the locking tab and pulling the connector out.

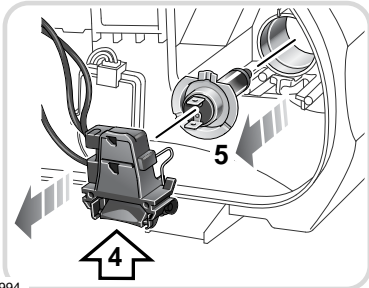
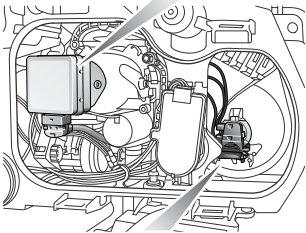
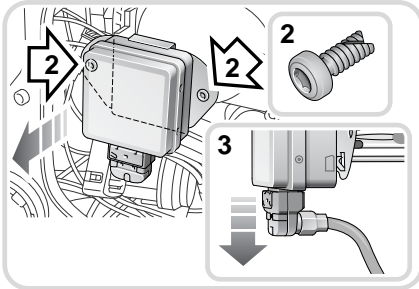
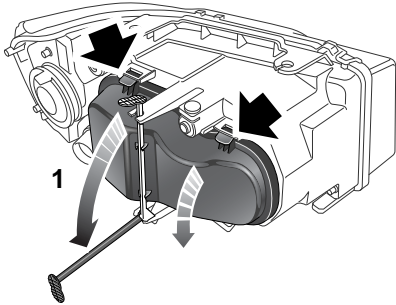
CAUTION



Do not place the lamp unit face down on hard or abrasive surfaces. Doing so may scratch the surface of the lens.

Lighting

Xenon low/high beam with supplementary halogen high beam



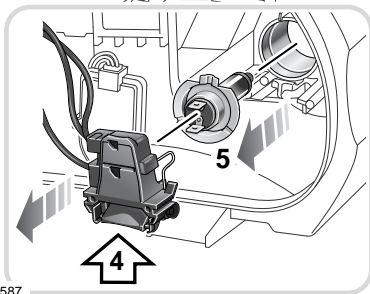
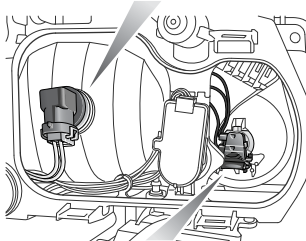
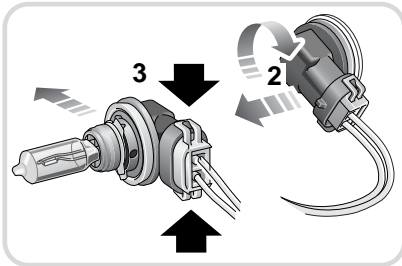
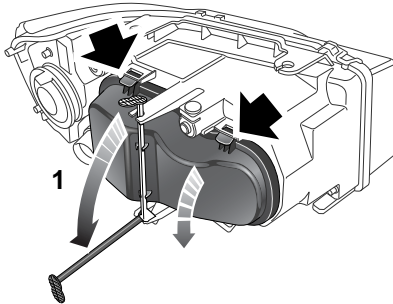
E80994

With the headlamp unit removed :-

1. Unclip the locking lever, press down the two tabs and remove the cover.
2. Undo the two retaining screws and remove the Xenon unit.
3. Remove the electrical connection from the Xenon unit.
4. Pull the electrical connector off of the supplementary halogen main beam bulb.
5. Unclip the halogen bulb and remove it from the unit.

Lighting

Halogen low and high beam



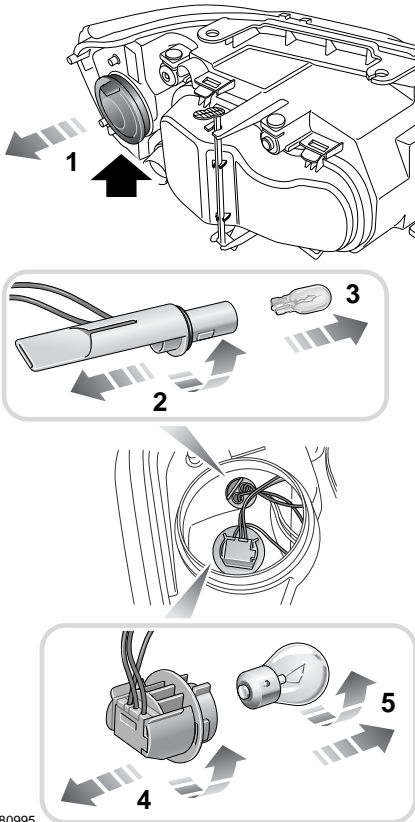
With the headlamp unit removed :-

1. Unclip the locking lever, press down the two tabs, and remove the cover.
2. Rotate the electrical connector and remove it from the headlamp unit with the bulb still attached.
3. Remove the bulb from the electrical connector.
4. Pull the high beam electrical connector off of the bulb.
5. Unclip the bulb and remove it from the unit.

E91587

Lighting

Side lamp and indicator bulbs

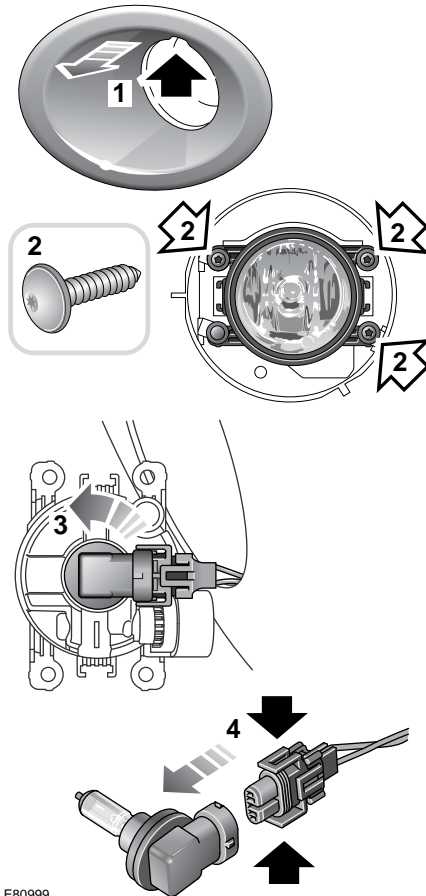


E80995

With the headlamp unit removed :-

1. Remove cover.
2. Twist the side lamp bulb holder and remove it from the lamp unit.
3. Pull the bulb out of the holder.
4. Twist the indicator bulb holder, and remove it from the lamp unit.
5. Press the bulb into the holder, then twist it and remove from the holder.

Front fog lamp

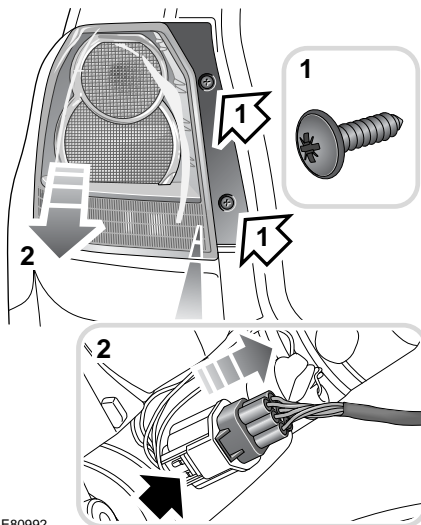


E80999

1. Remove the trim from the fog lamp.
2. Undo the four retaining screws, and remove the lamp unit.
3. Rotate the bulb holder (anti-clockwise) and remove from the lamp unit.
4. Press the two clips together, and remove the electrical connection.

Lighting

Removing the rear lamp unit



E80992

In order to change a rear lamp unit bulb, you must first remove the rear lamp.

To remove the rear lamp :-

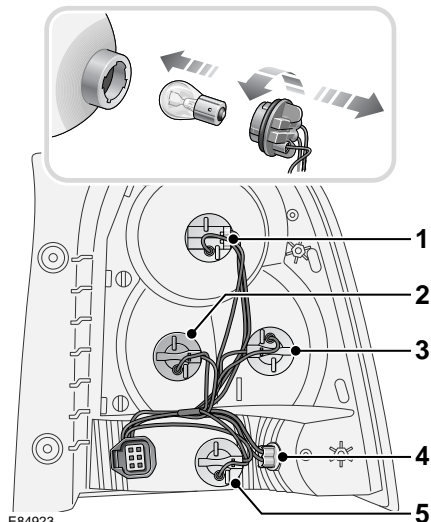
1. Undo, and remove the two retaining screws.
2. Remove the lamp unit and disconnect the electrical connection.

CAUTION



Do not place the lamp unit face down on hard or abrasive surfaces. Doing so may scratch the surface of the lens.

Rear lamp bulbs



E84923

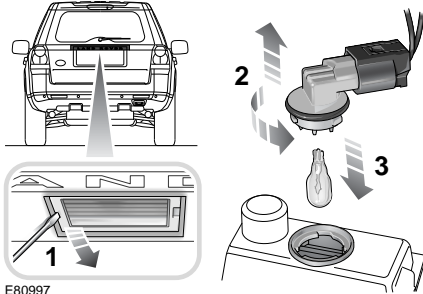
1. Stop/tail lamp.
2. Direction indicator.
3. Reverse lamp.
4. Rear marker lamp.
5. Rear fog lamp.

All of the rear lamp bulbs are removed in the same way.

- Rotate the bulb holder (anti-clockwise) and remove from the lamp unit.
- Press the bulb into the holder, rotate it, and remove from holder.

Lighting

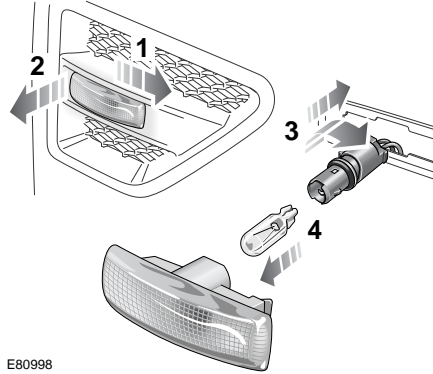
Number plate lamp bulb



E80997

1. Using a suitable tool, lever out the side of the lamp unit and remove it from the taildoor.
2. Rotate the bulb holder and remove it from the lamp.
3. Pull the bulb out of the holder.

Side repeater lamp

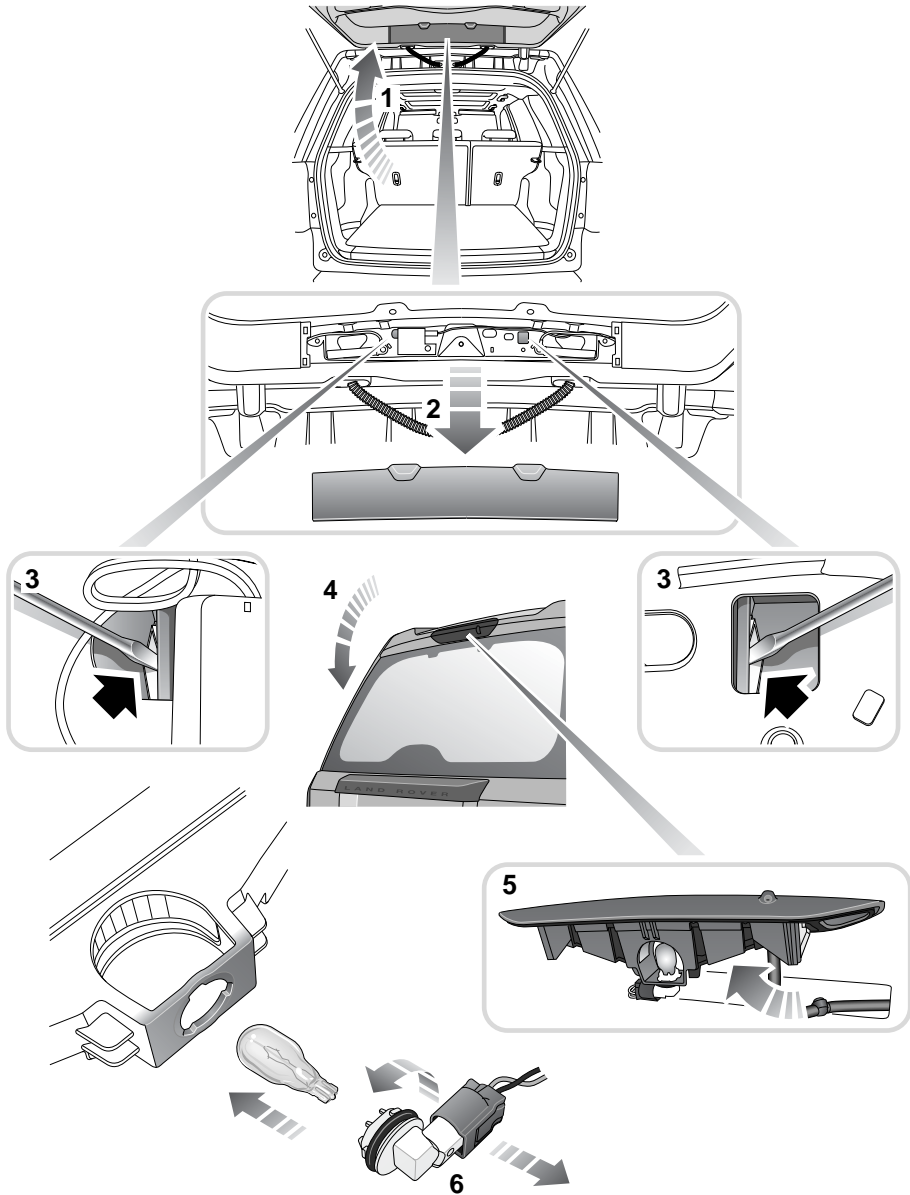


E80998

1. Slide the lens forward and lift the rear edge.
2. Remove the lamp unit.
3. Rotate the bulb holder and remove from the lamp unit.
4. Pull the bulb out of the holder.

Lighting

High level brake lamp



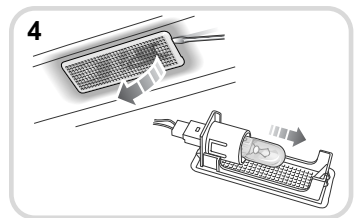
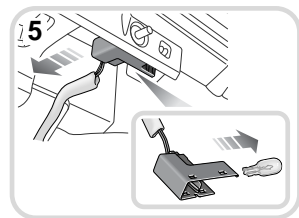
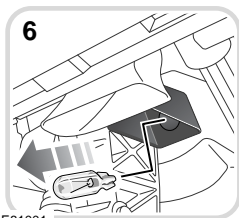
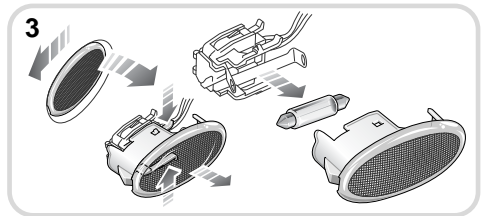
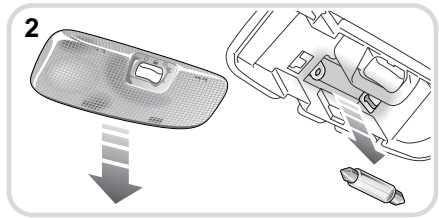
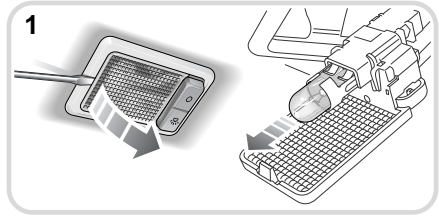
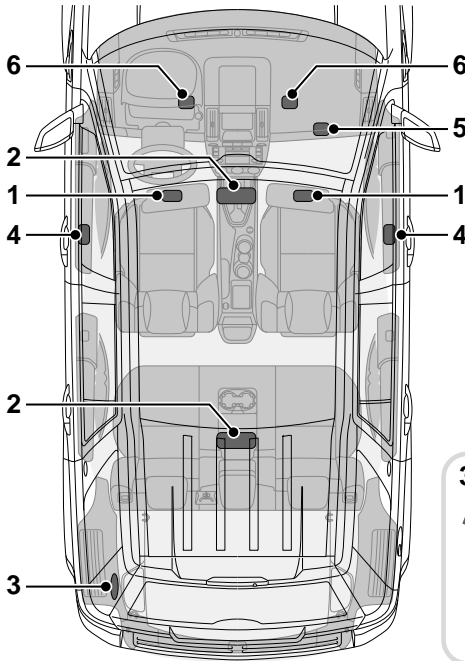
E83610

Lighting

1. Open the taildoor.
2. Remove the interior trim cover.
3. Using a suitable implement, press in the retaining clips.
4. Close the taildoor.
5. Remove the lamp unit from the taildoor.
6. Rotate the bulb holder and remove it from the lamp unit, then pull the bulb out of the holder.

Lighting

Interior lamp bulbs



E81001

1. Sun visor lamps.
2. Map/reading lamps.
3. Luggage compartment lamp.
4. Puddle lamps.
5. Glove box lamp.
6. Footwell lamps.

To access and replace the lamp bulbs follow the directions given in the illustration.

Lighting

BULB SPECIFICATION CHART

CAUTION



Before attempting to replace a bulb, ensure that both the affected lamp, and the vehicle's ignition, are turned off. If the circuit is live, a short circuit can occur which may damage the vehicle's electrical system.

Lamp	Specification	Power (Watts)
Halogen headlamp (Low and high beam).	H11	55
Xenon headlamp (Low and high beam).	D1S	35
Halogen supplementary high beam.	H7	55
Front side lamps.	W5W	5
Front direction indicators.	PY21W	21
Rear direction indicators.	PY21W	21
Front fog lamps.	H11	55
Side repeater lamps.	W5W	5
Reverse lamps.	P21W	21
Rear fog lamps.	P21W	21
Side marker lamps.	W5W	5
Stop/tail lamps.	P21/5W	21/5
High-mounted stop lamp	W16W	16
Number plate lamps.	W5W	5
Puddle lamps.	W5W	5
Interior lamps.	W5W	5
Luggage/footwell lamps.	W5W	5
Luggage/taillamp lamps.	W5W	5
Glovebox lamp.	W5W	5
Vanity mirror lamp.	W5W	5