



Fuses

CHANGING A FUSE

CAUTIONS

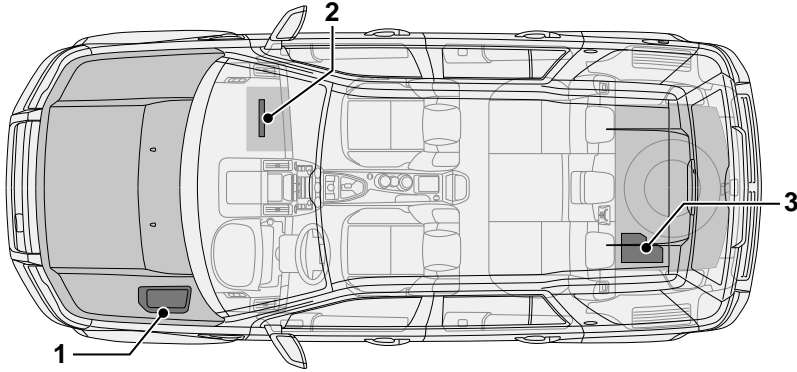
-  Fit Land Rover approved replacement fuses of the same rating and type, or fuses of matching specification. Using an incorrect fuse may result in damage to the vehicle's electrical system, and can result in a fire.
-  If the replacement fuse blows after installation the system should be checked by your Land Rover Dealer.

Note: *Land Rover recommend that owners do not remove or replace relays. It is recommended that you seek qualified assistance in the event of a relay failure.*

Always switch off the ignition, and the affected electrical circuit before replacing a fuse.

Fuses

FUSE BOX LOCATIONS



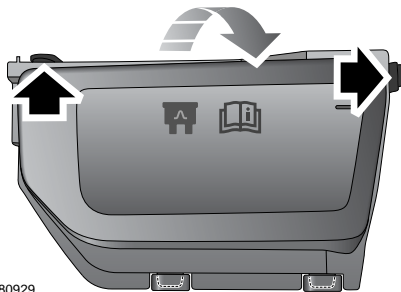
E80926

1. Engine compartment fuse box.
2. Passenger compartment fuse box.
3. Luggage compartment fuse box.

Fuses

ENGINE COMPARTMENT FUSE BOX

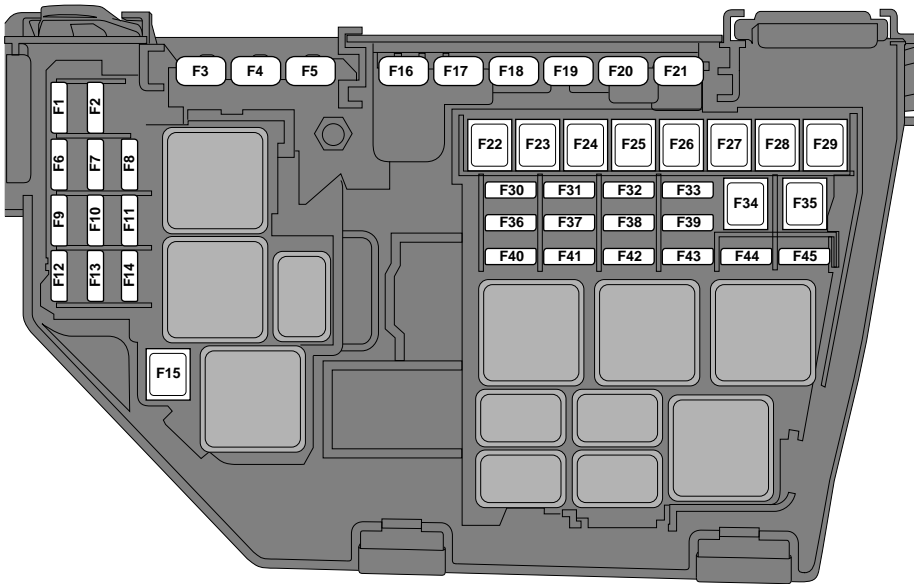
Accessing fuses



E80929

Fuses

Fuse positions and specifications



E80930

Fuse number	Rating (Amps)	Fuse colour	Circuits protected
F1	5	tan	DTML (leak detection pump)
F2	15	blue	Automatic transmission
F3	80	-	Cooling fans
F4	-	-	-
F5	-	-	-
F6	15	blue	Engine management
F7	5	tan	Relays
F8	15	blue	Engine management
F9	15	blue	Engine management
F10	10	red	Engine management
F11	10	red	Engine management
F12	20	yellow	Engine management
F13	15	blue	Air Conditioning

Fuses

Fuse number	Rating (Amps)	Fuse colour	Circuits protected
F14	-	-	-
F15	40	green	Starter motor
F16	-	-	-
F17	60	-	Passenger compartment fuse box supply
F18	60	-	Passenger compartment fuse box supply
F19	60	-	Luggage compartment fuse box supply
F20	60	-	Luggage compartment fuse box supply
F21	60	-	Luggage compartment fuse box supply - Audio unit
F22	30	pink	Windscreen wipers
F23	-	-	-
F24	30	pink	Headlamp washers
F25	30	pink	ABS
F26	40	green	ABS
F27	-	-	-
F28	40	green	Heater blower
F29	-	-	-
F30	-	-	-
F31	15	blue	Horns
F32	-	-	-
F33	5	tan	Relays
F34	40	green	Heated windscreen (LH)
F35	40	green	Heated windscreen (RH)
F36	-	-	-
F37	10	red	Heated washer jets
F38	10	red	AFS RH
F39	10	red	Climate control
F40	-	-	-
F41	20	yellow	Passenger compartment fuse box supply

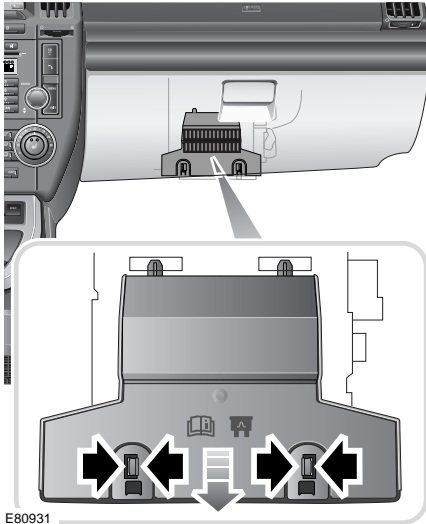
Fuses

Fuse number	Rating (Amps)	Fuse colour	Circuits protected
F42	15	blue	Engine management
F43	5	tan	Headlamp levelling control - AFS
F44	10	red	AFS LH
F45	15	blue	Cigar lighter

Fuses

PASSENGER COMPARTMENT FUSE BOX

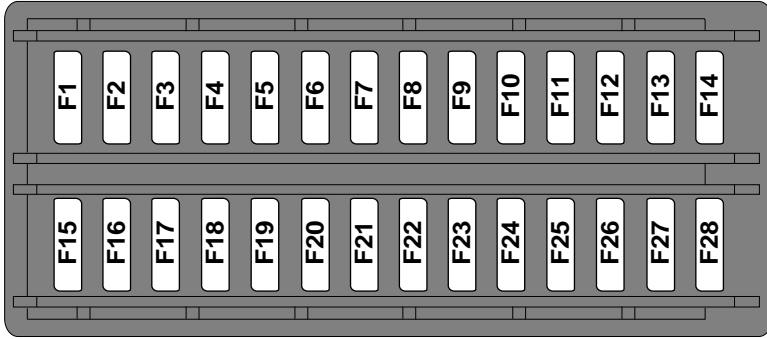
Accessing fuses



E80931

Fuses

Fuse positions and specifications



E80932

Fuse number	Rating (Amps)	Fuse colour	Circuits protected
F1	5	tan	Rain sensor
F2	10	red	SRS
F3	5	tan	ABS
F4	5	tan	Instrument pack - Accelerator pedal
F5	-	-	-
F6	15	blue	Audio unit
F7	7.5	brown	Steering wheel controls
F8	5	tan	Instrument pack
F9	15	blue	Headlamp main beam
F10	15	blue	Sunroof
F11	7.5	brown	Reverse lights and interior mirror dip
F12	-	-	-
F13	15	blue	Front fog lamps
F14	15	blue	Screen wash
F15	-	-	-
F16	-	-	-

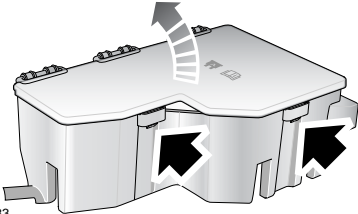
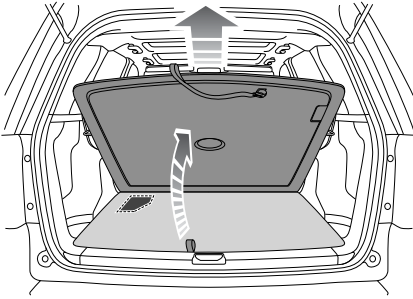
Fuses

Fuse number	Rating (Amps)	Fuse colour	Circuits protected
F17	7.5	brown	Interior lighting
F18	-	-	-
F19	5	tan	Electric seat adjustment
F20	15	blue	Rear wiper
F21	5	tan	Alarm
F22	20	yellow	Fuel pump
F23	-	-	-
F24	-	-	-
F25	10	red	Tailgate
F26	5	tan	Diagnostic socket
F27	5	tan	Start button and climate control
F28	5	tan	Brake lights

Fuses

LUGGAGE COMPARTMENT FUSE BOX

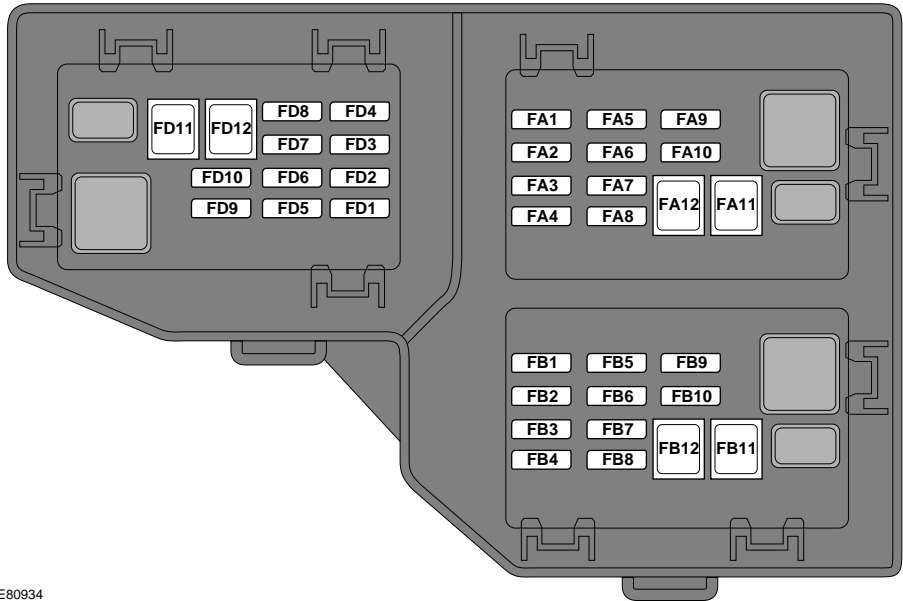
Accessing fuses



E80933

Fuses

Fuse positions and specifications



E80934

Fuse number	Rating (Amps)	Fuse colour	Circuits protected
FA1	25	clear	Driver door controls
FA2	25	clear	Passenger door controls
FA3	25	clear	Rear left door controls
FA4	25	clear	Rear right door controls
FA5	-	-	-
FA6	15	blue	Rear accessory socket
FA7	30	green	Heated rear screen
FA8	-	-	-
FA9	-	-	-
FA10	30	green	Driver electric seat
FA11	40	green	Trailer power
FA12	-	-	-
FB1	10	red	Park distance control
FB2	-	-	-

Fuses

Fuse number	Rating (Amps)	Fuse colour	Circuits protected
FB3	15	blue	Driver's seat heater
FB4	15	blue	Passenger's seat heater
FB5	-	-	-
FB6	15	blue	Electronic centre differential
FB7	-	-	-
FB8	-	-	-
FB9	30	green	Passenger electric seat
FB10	15	blue	Loadspace power socket
FB11	-	-	-
FB12	-	-	-
FD1	10	red	Audio system and touch screen
FD2	-	-	-
FD3	10	red	Satellite radio
FD4	5	tan	Bluetooth telephone
FD5	-	-	-
FD6	10	red	Audio unit
FD7	-	-	-
FD8	-	-	-
FD9	30	green	Audio amplifier
FD10	-	-	-
FD11	-	-	-
FD12	-	-	-