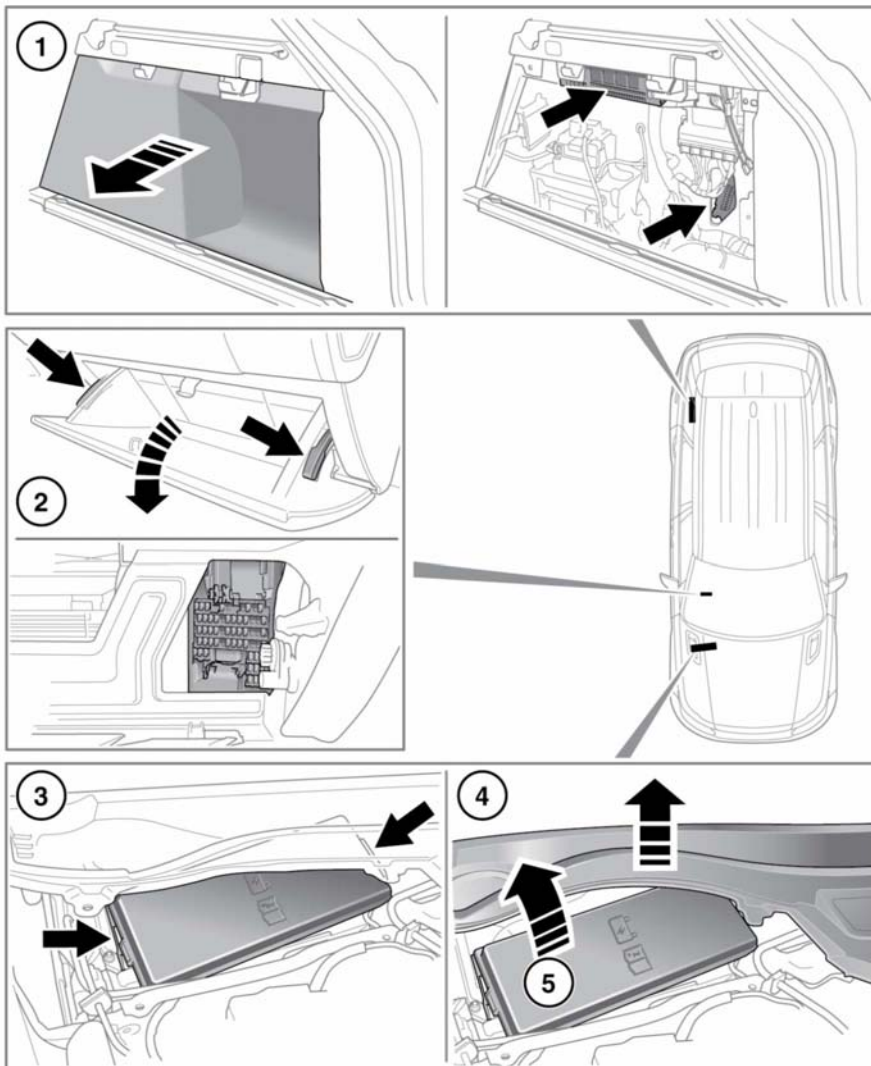



## FUSE BOX LOCATIONS





E 151912

 When a fuse box lid is removed, take care to protect the box from moisture, and refit the lid at the earliest opportunity.

1. To access the upper and lower luggage compartment fuse boxes, open the rear tailgate. See **9, OPENING AND CLOSING THE POWERED TAILGATE** Remove the first access panel. Grasp the top of the panel and pull sharply. A label on the rear of the access panel shows the circuits protected and the fuse locations.
  - When refitting the access panel make sure the locating/securing pegs are aligned with their respective holes before pushing the panel fully home.
2. To access the passenger compartment fuse box open the glove box. See **82, STORAGE COMPARTMENTS** Firmly press the top of the support stay at each end, and lower the glove box into the foot well. A label on the rear of the glove box shows the circuits protected and the fuse locations.
3. To access the engine compartment fuse box remove the under bonnet cover. See **203, UNDER BONNET COVERS - REMOVAL** Release the clip at each end of the fuse box cover.
4. Lightly lift up the leaf screen panel to allow the removal of the fuse box cover.
5. Remove the fuse box cover. A label on the inside of the cover shows the circuits protected and the fuse locations.

## CHANGING A FUSE

 Fit Land Rover approved replacement fuses of the same rating and type, or fuses of matching specification. Using an incorrect fuse, may result in damage to the vehicle's electrical system and can result in a fire.

 If the replacement fuse blows after installation, the system should be checked by your Land Rover Dealer/Authorised Repairer.

**Note:** Land Rover recommend that relays should only be replaced by qualified persons.

Always switch off the ignition, and the affected electrical circuit, before replacing a fuse.

## ENGINE COMPARTMENT FUSE BOX

Fuse number	Rating (Amps)	Fuse colour	Circuits protected
1	25	White	Engine management system.
2	15	Blue	Engine management system.
3	20	Yellow	Oxygen sensors. (petrol only).
4	10	Red	Cooling Fans. (petrol only).
5	-	-	-
6	10	Red	Engine management system. Active engine mount. (diesel only).
7	15	Blue	Engine management system. (diesel only).
	10	Red	Engine management system. (petrol only).
8	5	Tan	Digital Monitoring Tank Leakage (DMTL) (petrol only).
	15	Blue	Cooling fan. Active grille (diesel only).
9	15	Blue	Oxygen sensors. Glow plug modules. (diesel only).
	5	Tan	Engine management system. (petrol only).
10	20	Yellow	Oxygen sensors. (petrol only).
11	20	Yellow	Oxygen sensors. (petrol only).
12	5	Tan	Adaptive cruise control (ACC). Active cornering enhancement (ACE).
13	10	Red	Exhaust valve (petrol only).
14	5	Tan	Engine management system. (petrol only).
15	30	Green	Intelligent stop/start
16	5	Tan	Electric power assist steering (EPAS).
17	15	Blue	Active cornering enhancement (ACE).
18	5	Tan	Anti-lock braking system (ABS).
19	15	Blue	Charge air cooler (supercharged vehicles only).
20	5	Tan	Engine management system. (petrol only).
21	30	Green	Headlamp wash.
22	-	-	-
23	-	-	-

## Fuses

Fuse number	Rating (Amps)	Fuse colour	Circuits protected
24	15	Blue	Horns.
25	30	Green	Rear seats.
26	-	-	-
27	-	-	-
28	10	Red	Heated washer jet.
29	5	Tan	Road pricing. (Singapore vehicles only).
30	15	Blue	Transmission. Terrain response.

## PASSENGER COMPARTMENT FUSE BOX

Fuse number	Rating (Amps)	Fuse colour	Circuits protected
1	5	Tan	Radio frequency receiver, Tyre pressure monitoring system (TPMS). Auxiliary heater. Front roof console.
2	-	-	-
3	15	Blue	Front fog lamps.
4	-	-	-
5	5	Tan	Tow bar module.
6	5	Tan	Ignition relay.
7	20	Yellow	Sunroof. Sunblind.
8	10	Red	Message Centre.
9	5	Tan	Electric parking brake (EPB).
10	5	Tan	Front active seatbelts.
11	10	Red	Trailer reverse lamp.
12	-	-	-
13	-	-	-
14	5	Tan	Brake switch.
15	30	Green	Heated rear screen. Radio frequency filter.
16	10	Red	Cubby box cooler.
17	5	Tan	Keyless vehicle module (KVM).
18	-	-	-
19	5	Tan	Engine control module (ECM).
20	10	Red	Heated steering wheel.
21	10	Red	Hill descent switch. Dynamic stability control switch, Seat climate control. Road pricing (Singapore vehicles only). Passenger airbag disable lamp.
22	5	Tan	Electronic transmission switch. Automatic transmission control module. Transfer box, Rear differential. Terrain response switch.
23	5	Tan	Interior lights.
24	-	-	-

# Fuses

Fuse number	Rating (Amps)	Fuse colour	Circuits protected
25	-	-	-
26	-	-	-
27	10	Red	Trailer side lamps.
28	20	Yellow	Sunroof. Sunblind.
29	-	-	-
30	-	-	-
31	5	Tan	Rain sensor. Ambient light sensor.
32	25	White	Driver's door.
33	20	Yellow	Dual climate seats.
34	10	Red	Electric fuel flap actuator.
35	-	-	-
36	5	Tan	Battery back-up sounder.
37	20	Yellow	Keyless vehicle module (KVM).
38	15	Blue	Front screen washer
39	25	White	Rear left door.
40	5	Tan	Touch screen display. Driver's door switch pack. Rear climate control.
41	5	Tan	Gateway module.
42	30	Green	Driver's electric seat.
43	15	Blue	Rear screen washer.
44	25	White	Rear right door.
45	30	Green	Passenger electric seat.
46	30	Green	Driver's electric seat.
47	10	Red	Passenger's electric seat.
48	5	Tan	Powered tow bar.
49	5	Tan	Adaptive front lighting (right side unit).
50	5	Tan	Adaptive front lighting (left side unit).
51	5	Tan	Steering wheel switches.
52	20	Yellow	Auxiliary power socket cubby box.
53	15	Blue	Auxiliary power socket luggage compartment.

Fuse number	Rating (Amps)	Fuse colour	Circuits protected
54	15	Blue	Auxiliary power socket rear (right side).
55	20	Yellow	Auxiliary power socket rear (left hand).
56	10	Red	Supplementary restraint systems (SRS).
57	10	Red	Glove box lamp. Front roof console lamps. Windscreen misting sensor.
58	25	White	Passenger door.
59	10	Red	Powered tailgate open/close latch.
60	5	Tan	Seat occupancy module.
61	5	Tan	Immobiliser antenna unit.
62	10	Red	Climate control module.
63	20	Yellow	Front cigar lighter.
64	-	-	-
65	-	-	-
66	5	Tan	Diagnostic socket.
67	-	-	-
68	-	-	-
69	-	-	-

## LUGGAGE COMPARTMENT FUSE BOX

### FUSE BOX (upper)

Fuse number	Rating (Amps)	Fuse colour	Circuits protected
1	-	-	-
2	25	White	Heated front seat. Climate front seat.
3	25	White	Heated rear seat. Climate rear seat.
4	15	Blue	Heated rear seat. Torch socket.
5	15	Blue	Trailer.
6	15	Blue	Fuel pump (V8 diesel only).
7	5	Tan	Chassis control module.
8	15	Blue	Front seat.
9	-	-	-
10	-	-	-
11	-	-	-
12	-	-	-
13	-	-	-
14	10	Red	Headlamps. Parking aid. Blind spot monitoring. Rear view mirror. Proximity camera.
15	15	Blue	Fuel pump (diesel only).
	30	Green	Fuel pump (petrol only).
16	5	Tan	Adaptive cruise control (ACC).
17	30	Green	Passenger front seat.
18	30	Green	Rear blower motor.
19	30	Green	Electric park brake (EPB).
20	10	Red	Chassis control module.
21	30	Green	Electric park brake (EPB).
22	15	Blue	Trailer.
23	15	Blue	Chassis control module.
24	15	Blue	Event data recorder. Vehicle tracker.
25	30	Green	Deployable sidesteps.



<b>Fuse number</b>	<b>Rating (Amps)</b>	<b>Fuse colour</b>	<b>Circuits protected</b>
26	20	Yellow	Rear wiper.
27	30	Green	Rear seat (left-side).
28	30	Green	Rear seat (left-side).
29	30	Green	Rear seat (right-side).
30	30	Green	Rear seat (right-side).

## FUSE BOX (lower)

Fuse number	Rating (Amps)	Fuse colour	Circuits protected
1	15	Blue	Touch screen. Front integrated control panel.
2	10	Red	Audio amplifier.
3	-	-	-
4	10	Red	Digital radio. Navigation. Television tuner.
5	15	Blue	Audio head unit.
6	15	Blue	Audio video input/output panel.
7	-	-	-
8	-	-	-
9	-	-	-
10	-	-	-
11	-	-	-
12	-	-	-
13	-	-	-
14	-	-	-
15	15	Blue	Front integrated control panel. Rear integrated control panel. Heating and ventilation.
16	20	Yellow	Fuel fired booster heater.