

VentureCam

INTRODUCTION

The Land Rover VentureCam system consists of one or more VentureCam units, a docking station, an antenna and a touch screen. VentureCam is a wireless real time motion camera, that transmits in colour.

The camera is of a robust construction and is able to operate up to 30 metres (98 ft) away from the vehicle, but this will depend on the prevailing conditions. Environment and buildings may have an effect.

Up to 16 VentureCam units can be linked to the system. These mini cameras are a form of close circuit television viewed through the touch screen in either full screen or reduced screen mode. You can view all cameras linked by using the scroll soft keys on the touch screen.

The camera mounts can be attached to any suitable surface.

This gives the user a wide variety of possible locations where the VentureCam units can be used.

VentureCam will receive other video signals on the 2.45GHz frequency.

This is an open band frequency so if, for example, you have a home security camera, you may be able to select and view its signal by selecting the channel it is broadcasting on.

Note: Land Rover VentureCam uses the same frequencies as some TV, WiFi and Bluetooth® devices. If interference with the image is observed, re-selecting the VentureCam will select a quieter channel.

Please note that for this reason, the operation of a Land Rover integrated Bluetooth® phone system is inhibited when the Land Rover VentureCam system is active.

Land Rover have no control over the operation or format of security cameras and therefore cannot guarantee their operation.

The VentureCam is charged in a docking station in the upper glovebox. VentureCam can also be used as a torch.

When the VentureCam is docked again a green halo around the LAND ROVER button flashes momentarily to indicate that a good electrical connection has been established.



LAN2923

The touch screen allows you to control the VentureCam units, selecting which one to view and to determine if the batteries are charged.

VentureCam

To remove a VentureCam from the docking station, push it lightly towards the fascia. This releases the latching mechanism allowing the unit to be removed from the housing.



LAN2928

Note: Some markets have a speed restriction when displaying motion images on a screen within the drivers vision. In these markets, exceeding this speed will turn the VentureCam off.

WARNING

VentureCam is only to be used as a driving aid. It must not be used in a way that could distract the driver.

Take care when manoeuvring.

Always obey traffic regulations.

VentureCam must not be left loose in the vehicle. It must be docked in the docking station or stowed securely when not in use. In the event of an accident, unsecured items become flying missiles, capable of causing serious injury.

Do not place objects other than a Land Rover VentureCam into the docking station.

Do not allow the red torch illumination to face towards oncoming traffic when used on public roads.

Always mount a VentureCam out of the reach of children or animals.

If using VentureCam to reverse, care should be taken to ascertain left and right.

Note: If using a VentureCam as an aid to reversing a trailer, its transmitting range may be reduced if it is located at the back of the trailer. Therefore take this into account when selecting a suitable location for a VentureCam.

VentureCam

USING THE VENTURECAM UNIT

The VentureCam unit has a LAND ROVER button that allows you to select the function you require. The functions are marked graphically on the unit itself. Each press of the button takes you to the next function.



LAN2924

- When the unit is off, a single press of the button switches the camera function on.
- Pressing the button a second time turns the torch on torch and turns the camera off.
- A further press turns the unit off.

When you select camera mode, the halo around the LAND ROVER button illuminates and begins to flash, to indicate that the camera is awaiting a command from the touch screen.

Note: The range of the Land Rover VentureCam will be reduced if it is held in the hand. We therefore only recommend supporting it in the mount provided.

Note: The torch can also be operated from within the vehicle using the torch soft key on the touch screen.

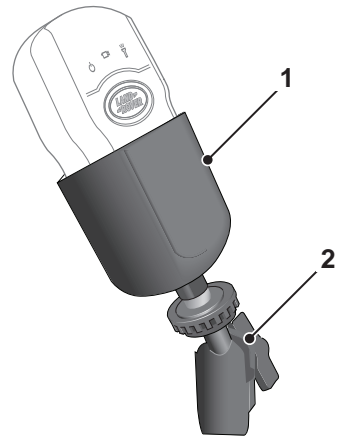
MOUNTING A VENTURECAM

Each Land Rover VentureCam unit is supplied with a flexible mounting system allowing you to attach it to a suitable surface.

Caution: The suction mount is designed for off road use and should only be fixed to a suitable exterior surface.

The Land Rover VentureCam mount comes in two parts:

1. VentureCam holder.
2. Suction mount.

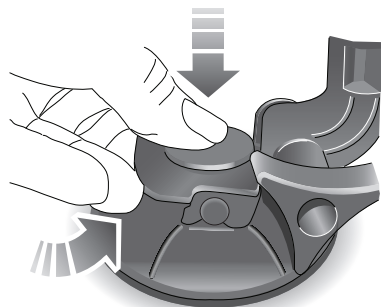


LAN2925

The holder is secured into the suction mount using a screw fixing similar to a wide range of camera accessories.

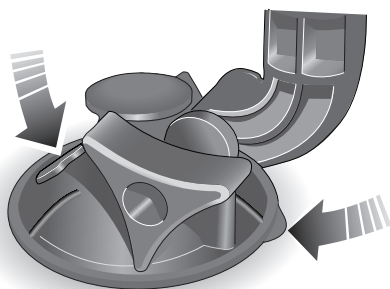
With the suction control lever lowered, apply the mount to clean glass or clean, flat body work, press the suction button and pull the lever up. Ensure a good fix is made before installing and using the VentureCam.

VentureCam



LAN2926

To release the mount, first take the VentureCam out of the holder. Grip the mount, lower the operating lever and lift the clear plastic tab on the perimeter of the suction pad to release the suction.



LAN2927

VENTURECAM CONTROLS

Access VentureCam from the main menu by touching the **4 x 4 Info** soft key.



On the **4 x 4 Info** screen, touch the camera icon soft key to view images on screen.

Other VentureCam soft key controls:

- Camera selection (Cam 1)
- Channel selection (CH 1)
- Scroll arrows - after selecting a channel or camera soft key, touch to scroll through available VentureCams and channels.
- Torch

Note: If a soft key control is greyed out, the function is not currently available for selection.

Note: When a soft key is touched, a green halo appears briefly around the soft key to confirm selection. The halo then turns to amber, indicating that the selected function is active.

Selecting available VentureCams and Channels

Use the scroll soft keys to scroll up or down through the list of available VentureCams (Cam 1, Cam 2 etc.) and channels (CH 1, CH 2 etc.) until the desired choice is visible. Touch to display the selected source.

If there is a problem with the selected source, a warning message will be displayed on-screen. Follow any instructions given and/or select an alternative source.

Using the torch



To operate the torch from within the vehicle, use the torch soft key that appears on the touch screen while viewing a VentureCam image.

When the torch is turned on, an amber halo appears around the torch soft key. Press the soft key again to turn the torch off.

VentureCam

Full screen display mode

In VentureCam mode, touching the screen area containing the VentureCam or channel image, will display a full screen view.

To return to the control display mode, touch the screen again.

VentureCam battery

VentureCam is fitted with a re-chargeable battery, that should give approximately 3 hours of continual video transmission. Alternatively, the VentureCam can be used as a torch and will last approximately 4 hours before a re-charge is required. Re-charging VentureCam takes approximately 1 hour from a fully discharged to a fully charged state.

Note: *The vehicle ignition must be on before charging starts.*

When docked, the VentureCam will go into a charging state. Charge level indicators will be displayed to indicate the battery state of charge, along with the display “VentureCam docked”

There are 3 charging stages which are as follows:



Recovery - One segment indicates that the VentureCam battery is virtually discharged (or may be very hot/cold).

The battery is being gently charged to ensure a full battery recovery and subsequently, may stay in this mode for some time.



Fast charge - A rising row of segments indicates a fast charge, that will deliver a full charge in a minimum period.



Charged - A complete row of segments indicates a charged battery. Land Rover recommend you leave the VentureCam in the docking station when charged, this helps maintain the battery optimum charge level.

Storing a VentureCam to memory

To manage multiple VentureCam units, each VentureCam required for transmitting must be saved to the vehicle memory.

The unit must be in the docking station and can be saved while in any display view. Docking a VentureCam that has not been saved to the vehicle will display a pop up screen.

On the pop up screen select **OK** to save the VentureCam to the first available VentureCam position.

Selecting **Cancel** will clear the pop up window and return the user to the previously selected background. If you press the **Cancel** soft key accidentally, the docked VentureCam will have to be removed, then re-docked, before it can be stored to the memory.

After selecting **OK** another pop up window, giving the user the option to **Use now** or **Close** the window.

Selecting **Use now** will take the user to the **4 x 4 Info** screen, with VentureCam selected and showing the docked VentureCam display view.

Selecting **Close** will clear the pop up window and return the user to the previously selected background.

Note: *If 16 VentureCams have been saved to the vehicle and a new VentureCam is docked, the VentureCam will only charge and the Learn Camera pop up window will not be presented until a VentureCam is deleted, .*

The new one will have to be re-inserted into the docking station, before it can be stored in the memory.

Deleting a VentureCam unit from memory

To delete a VentureCam from memory, use the scroll soft keys to select the required VentureCam, then press the **Delete** soft key. A pop up window will be displayed.

VentureCam

Selecting **OK** removes that VentureCam from the list.

Selecting **Cancel** will clear the pop up window and return the user to the VentureCam list display view.

Care of your VentureCam

If VentureCam becomes muddy or covered in road dirt, wipe it with a damp cloth to clean the camera window and to ensure reliable battery charging.

If you have 2 or more VentureCams, cycle them through the docking station, so that each one gets a top-up charge every few weeks.

Avoid high temperatures, DO NOT store VentureCam in the sun.

Caution: VentureCam batteries, like all others, should be disposed of responsibly and in accordance with local authority regulations.